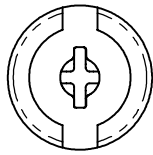
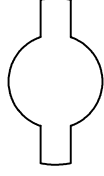


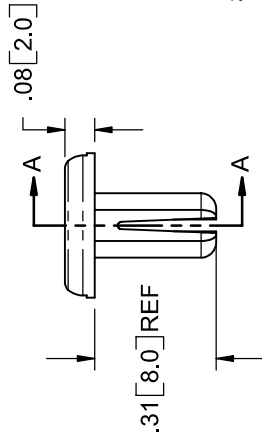
| PART NO. | HOLE DIA. RANGE       | PANEL THICKNESS     | "A" REF   |
|----------|-----------------------|---------------------|-----------|
| RRR-1    | .188-.208 [4.76-5.28] | .059-.138 [1.5-3.5] | .14 [3.6] |
| RRR-2    |                       | .138-.217 [3.5-5.5] | .17 [4.4] |



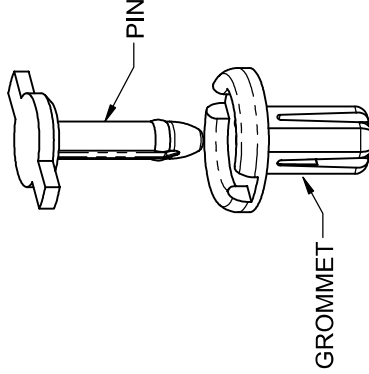
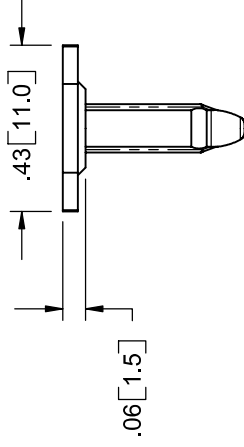
GROMMET



PIN



SECTION A-A



- NOTES:
1. MATERIAL: NYLON 66/6 (RMS-103)
  2. COLOR: BLACK
  3. RIVET TO FIT IN INDICATED DIAMETER HOLE, OR .177 [4.5] MIN SQUARE HOLE
  4. PIN AND GROMMET ARE SUPPLIED UNASSEMBLED

| TITLE: RICHCO REMOVABLE RIVET   |  | DWG IN IN [MM] | "A" REF    |
|---|--|----------------|------------|
| CREATED USING SOLIDWORKS  | FILE #: RRR-X  | DWN: SK        | APP: SK    |
| TOLERANCES UNLESS NOTED<br>XX=±.010<br>XXX=±.005<br>FRAC.=±1/64<br>ANG.=±1° | SHEET: 1 OF 1  | DT: 06/15/05   | CHKD: DJZ  |
| SEE ECN # 1133 FOR CHANGES  | RE: RICHCO, INC.<br>ENG@RICHCO-INC.COM<br>(773) 539-4060 | PART #         | PRINT TYPE |
| RELEASED FOR PRODUCTION   | RICHCO, INC.   | SEE TABLE      | CA         |
| REV.  | DESCRIPTION  | ENGR.          | DATE       |
| B   |  |                | 03/03/06   |
| A   |  |                | 06/15/05   |