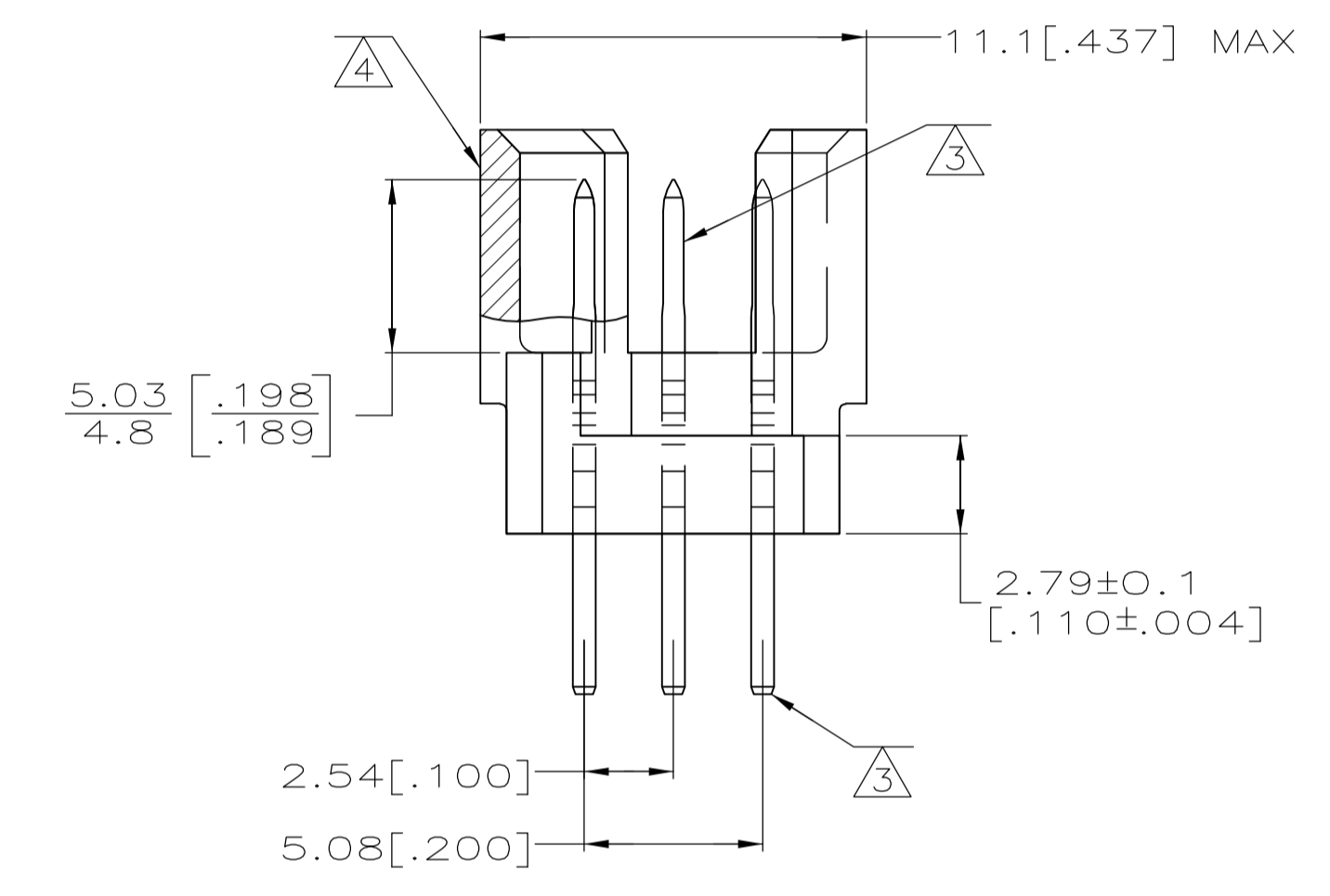


- ① HOUSING MATERIAL: GLASS-FILLED POLYMER.
- ② POST MATERIAL: COPPER ALLOY.
- ③ POST FINISH: DIN 41612 CLASS 2 IN CONTACT AREA. TIN PLATE ON POSTS.
- ④ MARKING ON THIS SIDE.
- ⑤ RECOMMENDED HOLE SIZE FOR MANUAL APPLICATION OF CONNECTOR ONTO PC BOARD.
- ⑥ [PART NUMBER, DATE CODE] MARKED THIS APPROXIMATE AREA.



| | | | | | |
|------------------|---|---|---|------------------------|------------------|
| 1-16 | X | X | X | 48 | 5650477-5 |
| POSITIONS LOADED | C | B | A | NO. OF LOADED POSITION | ASSY PART NUMBER |
| | | | | | |

| | | | | | |
|--|--|--|--|---|--|
| THIS DRAWING IS A CONTROLLED DOCUMENT. | | DIN J. POLIGNONE CIRK A. SHARPE APVD A. SHARPE | | Tyco Electronics Corporation Harrisburg, Pa 17105-3608 | |
| DIMENSIONS: mm [INCHES] | | TOLERANCES UNLESS OTHERWISE SPECIFIED: | | Tyco Electronics Corporation | |
| 0 PLC ± - 1 PLC ± - 2 PLC ± 0.13[.005] 3 PLC ± - 4 PLC ± - ANGLES ± - | | NAME: ASSEMBLY, PIN EUROCARD, TYPE 1/2R APPLICATION SPEC: 48 POSITION, 4.57[.180] SOLDER POST | | SIZE: A1 CAGE CODE: 00779 DRAWING NO: 5650477 | |
| MATERIAL: ① ② | | FINISH: ③ | | WEIGHT: - | |
| CUSTOMER DRAWING | | SCALE: 5:1 | | SHEET 1 OF 1 REV 01 | |