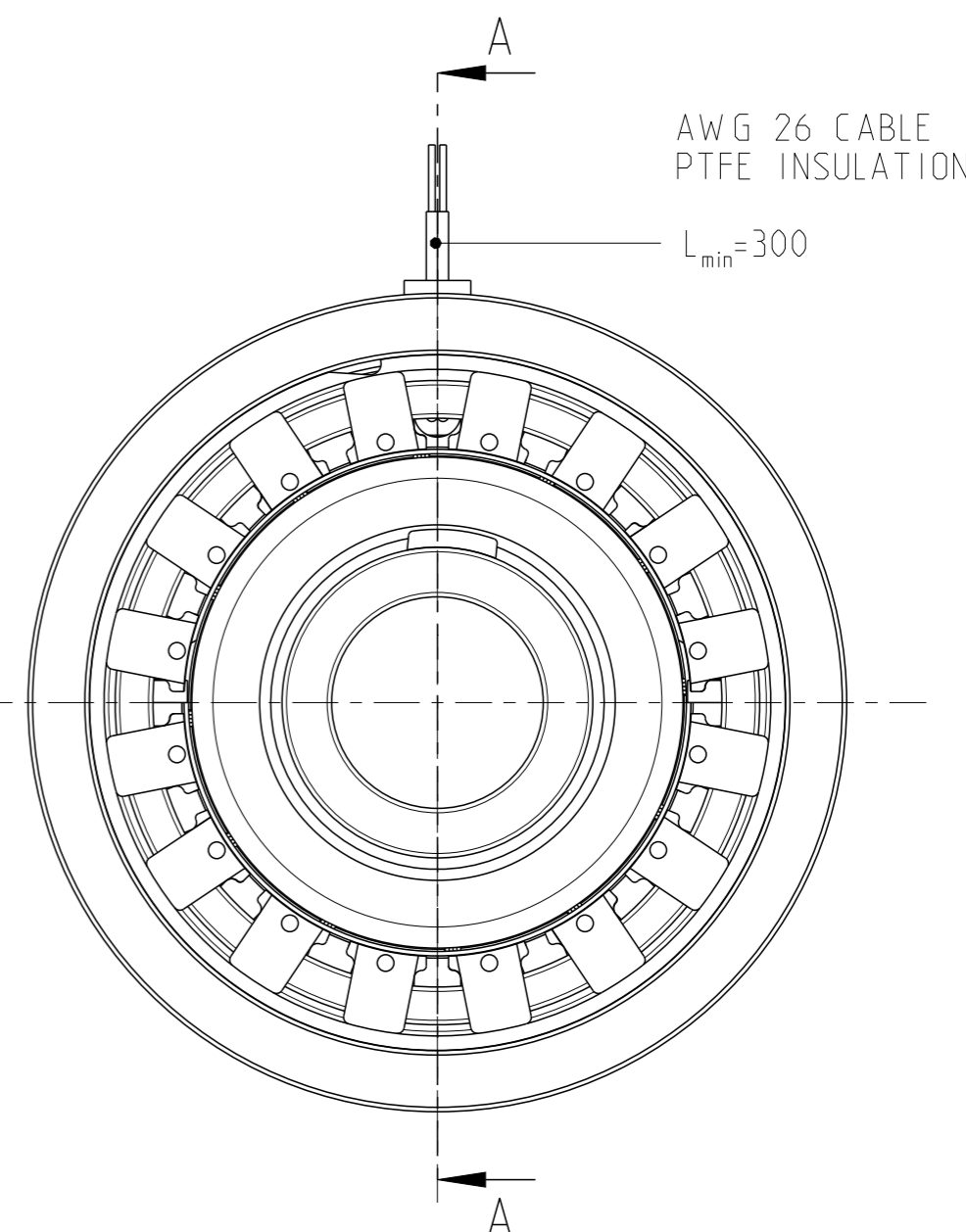
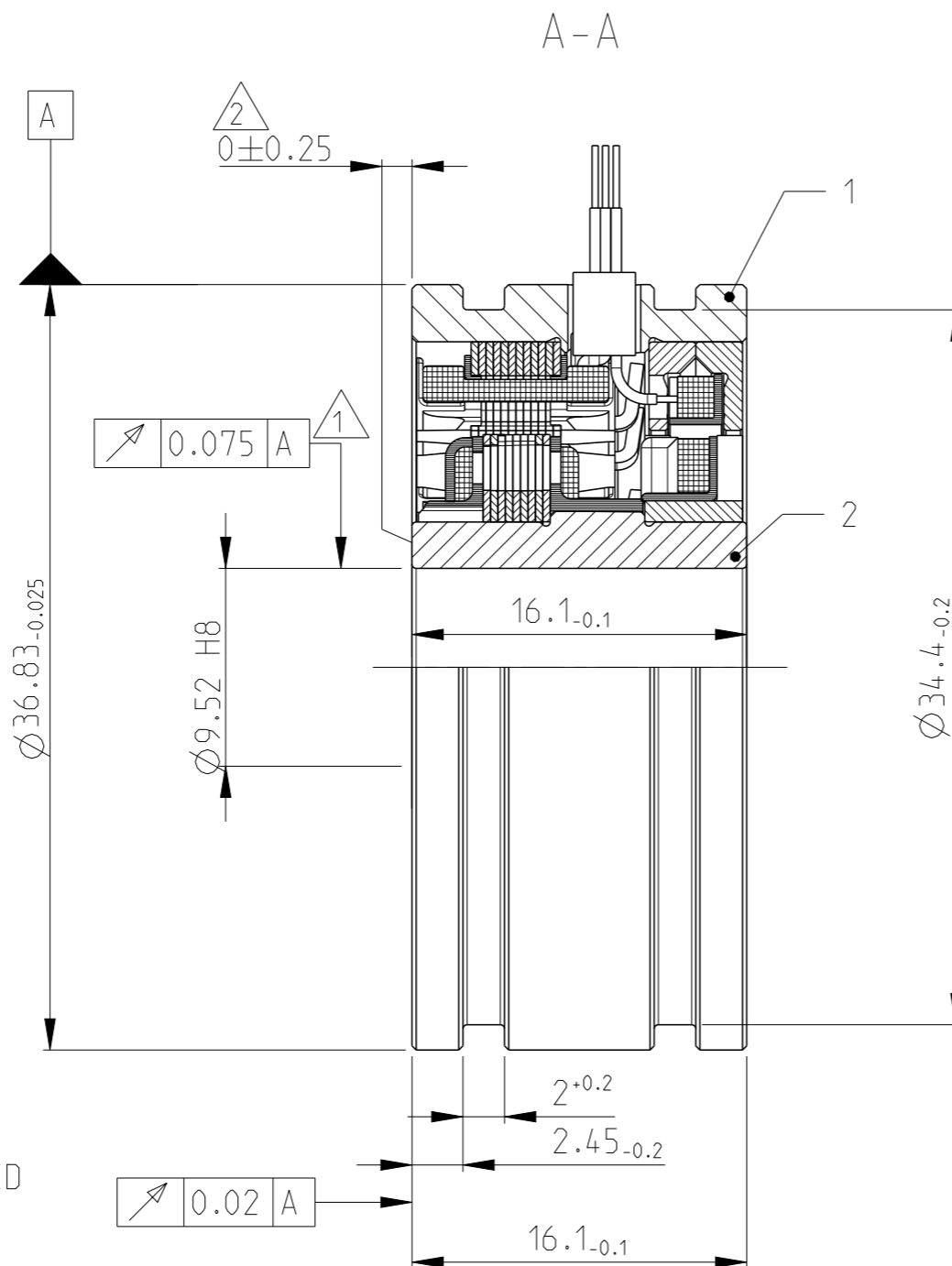
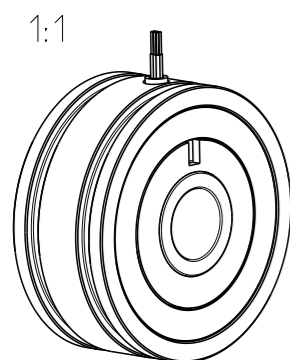


SIGNAL	COLOR
S1	RED
S2	YELLOW
S3	BLACK
S4	BLUE
R1	RED / WHITE
R2	BLACK / WHITE

P	LTR	DESCRIPTION	DATE	DWN	APVD
A1		New Drawing	05DEZ2005	Kr	An
C1		ECR-06-011981	18MAY2006	Kr	An
C2		R2 CABLE COLOR DESCRIPTION CHANGE	17NOV2015	ER	PL
C3		REVISED PER ECR-22-143117	22JUN2022	GK	HB

9.52 H8 +0.022
0



1 TOTAL RUNOUT WHEN INSTALLED
2 AXIAL OFFSET

REV	DESCRIPTION	DATE	BY
1	1-1824833-0	ROT-D1001-B1	2
1	1-1824762-0	STATOR-D1 COMPLETE	1
1393047-1	PARTNUMBER	DESCRIPTION	ITEM NO
-	REVISION OF EACH ASSY NO. (WHEN BLANK, USE DWG. REVISION)		
PARTS LIST			

THIS DRAWING IS A CONTROLLED DOCUMENT.

DIMENSIONS:	TOLERANCES UNLESS OTHERWISE SPECIFIED:
mm	0 PLC ±
	1 PLC ±
	2 PLC ±
	3 PLC ±
	4 PLC ±
	ANGLES ±1°
MATERIAL	FINISH
-	-
-	-

DWN	Kraus	24NOV2005
CHK	-	-
APVD	Andrae	05DEZ2005
PRODUCT SPEC	-	-
APPLICATION SPEC	-	-
WEIGHT	-	-
CUSTOMER DRAWING		

TE Connectivity		NAME		RESOLVER SIZE 15
		SIZE	CAGE CODE	DRAWING NO
A3		00779	C=1393047-1	-
SCALE		3:1	SHEET	1 OF 1
REV		C3		