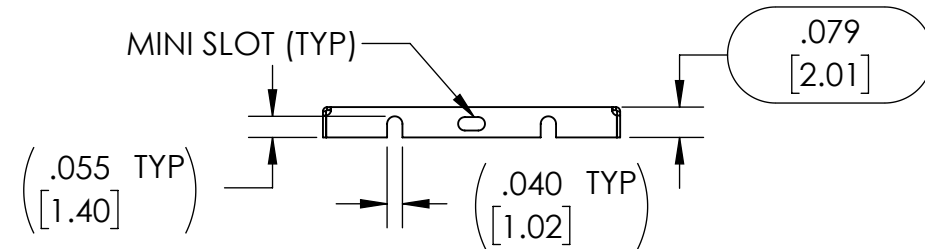
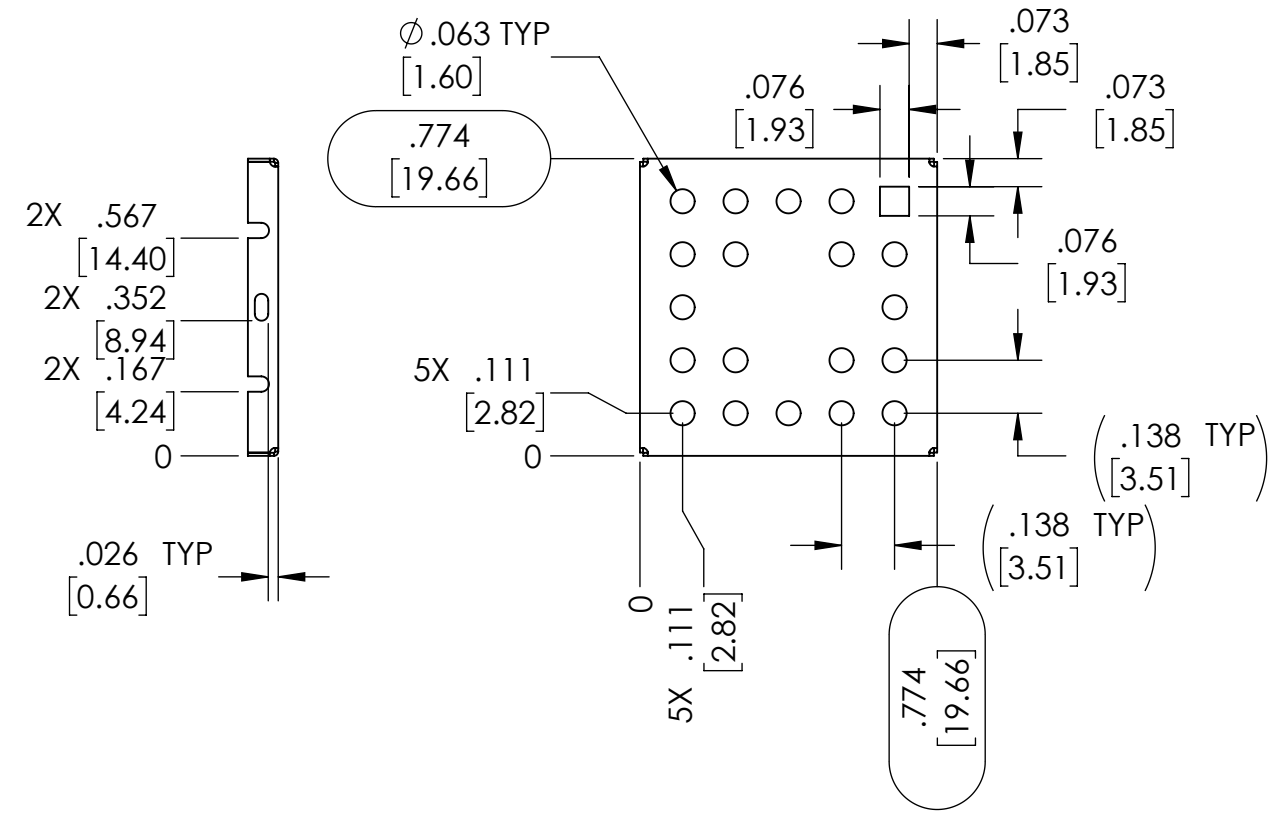
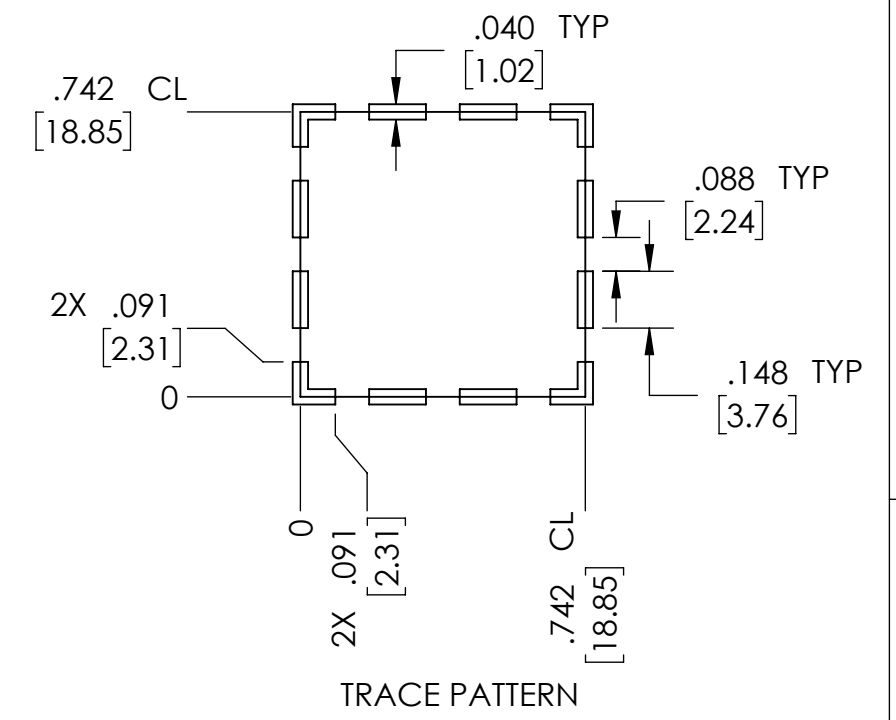
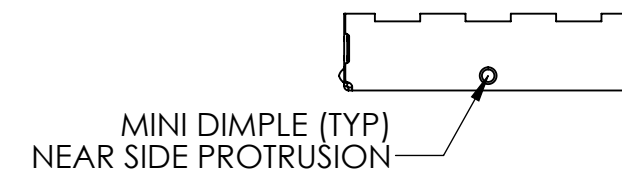
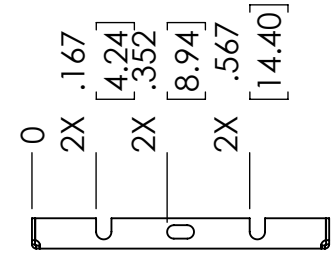
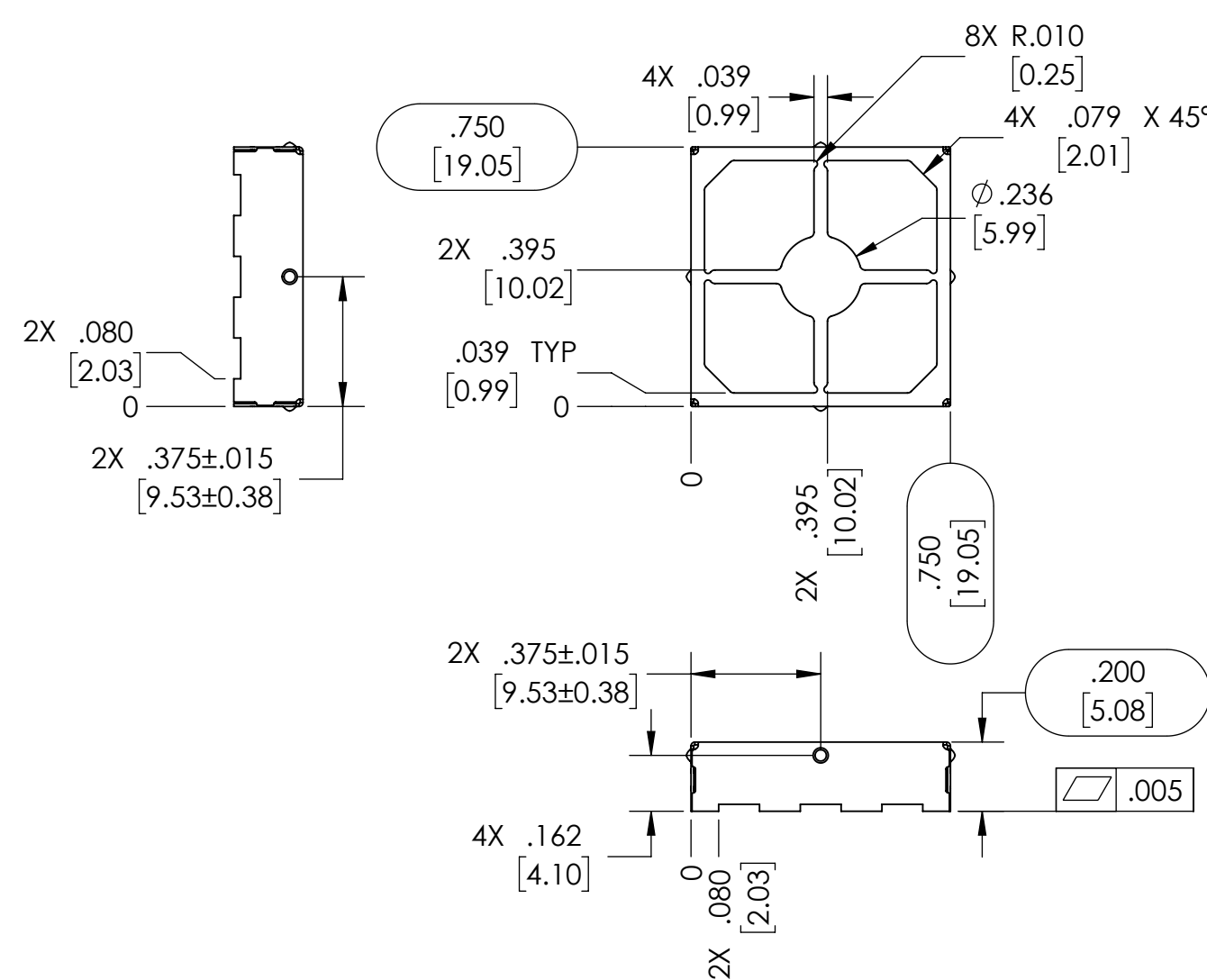


NOTES:

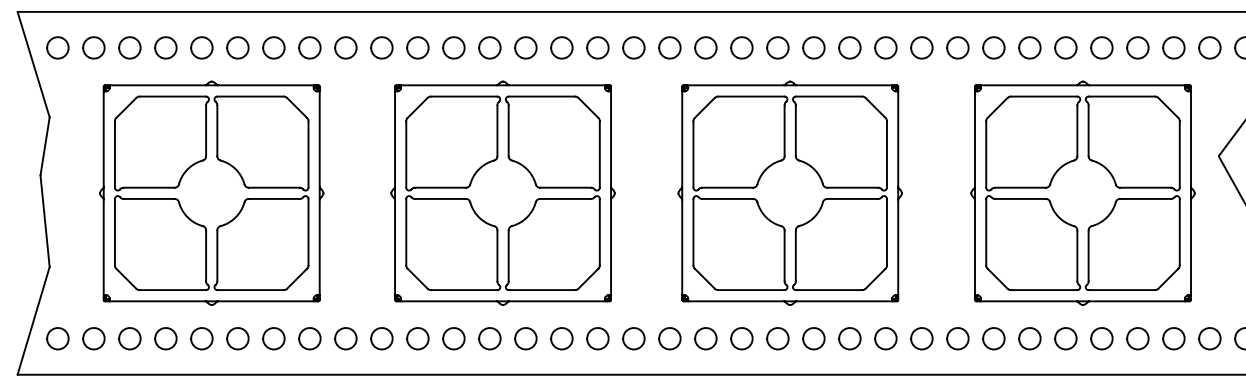
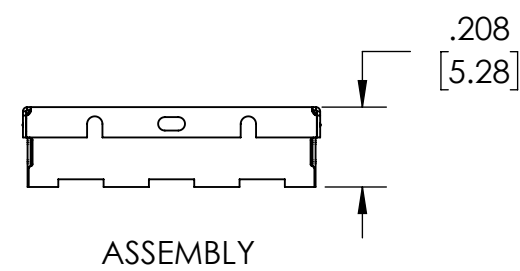
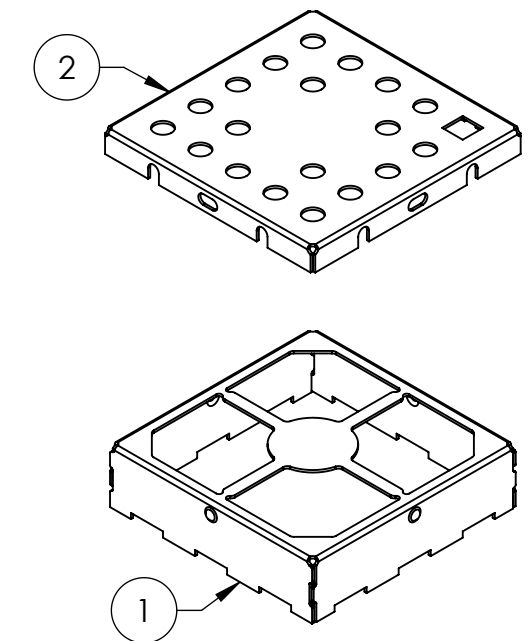
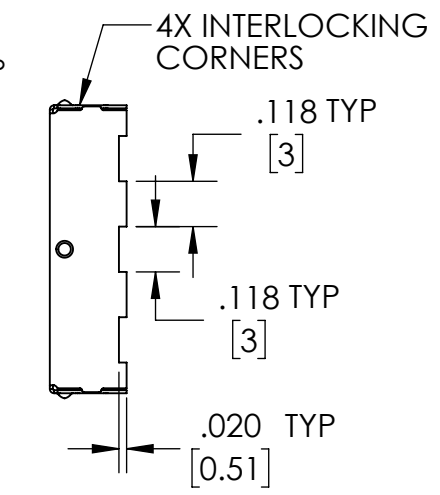
1. ASSURE ASSEMBLY CAPABILITY BY MATCHING WITH MATING PART
2. PACKAGING: TAPE AND REEL FOR THE FRAMES
3. DIMENSIONS IN BRACKETS ARE IN MM



FORMED COVER



FORMED FRAME



CARRIER TAPE

ITEM	PART NUMBER	DESCRIPTION	QTY.
1	SMS-255 F	FRAME	1
2	SMS-255 C	COVER	1

CARRIER TAPE SPECIFICATIONS						
PART NUMBER	DESCRIPTION	OVERALL DIMENSION	OVERALL HEIGHT	CARRIER TAPE WIDTH	CARRIER TAPE PITCH	PARTS PER REEL
SMS-255F	FRAME	.750 X .750 (19.05 X 19.05)	.200 (5.08)	32 mm	28 mm	300
SMS-255C	COVER	.744 X .744 (18.90 X 18.90)	.079 (2.00)	N/A	N/A	BULK PACK

THIS DOCUMENT CONTAINS PROPRIETARY INFORMATION OWNED BY LEADERTECH, OR DEVELOPED AT ITS OWN PRIVATE EXPENSE, AND MAY NOT BE USED, DUPLICATED OR DISCLOSED IN WHOLE OR IN PART FOR ANY PURPOSE INCLUDING DESIGN, MANUFACTURE OR PROCUREMENT WITHOUT THE WRITTEN PERMISSION OF LEADERTECH. LEADERTECH DOES NOT GUARANTEE OR WARRANTY THE PERFORMANCE CHARACTERISTICS.

UNLESS OTHERWISE SPECIFIED:
 - ALL DIMENSIONS ARE IN INCHES
 - PART SHALL BE FREE OF BURRS AND SHARP EDGES
 - ALL DIMENSIONS SHOWN APPLY AFTER PLATINGS AND COATINGS
 - ROHS COMPLIANT PER EU DIRECTIVE 2011/65/EU
 - POI = POINT OF INTERSECTION

FINISH: MATTE TIN
 MATERIAL: .008" THICK PRE TIN STEEL

THIRD ANGLE PROJECTION
 ANGLES +/- 2°

DRAWN BY: NA 2013-11-14
 APPROVED BY: ND 2013-11-15

LEADER TECH
 a HEICO company
 The Leading Edge in EMI Shielding Technology

TITLE: SURFACE MOUNT SHIELD

SCALE: 2:1
 DWG. NO.: SMS-255
 CAGE CODE: 4J674
 REV: F
 SHEET: 1 OF 1