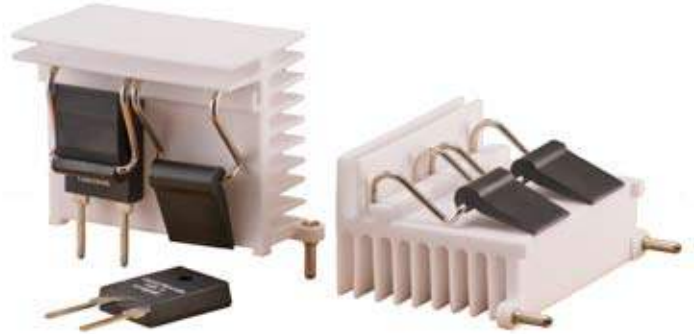


# CA Series Heatsinks



## Ceramic Heatsinks For TO-247 and TO-264

The Ohmite CA series ceramic heatsinks contain the same the (Pat. Pending) cam clip used on other popular Ohmite heatsink series. This clip system aligns the part for proper force direction on the device. The ceramic construction is ideal for high voltage devices and outperforms aluminum heatsinks in forced convection applications. The CA series is securely mounted to PCBs with thru-hole soldering of the integrated solder feet.



### SERIES SPECIFICATIONS

Heatsink Part Number	No. of Clips	Ohmite Resistor series	Surface Area (in <sup>2</sup> /mm <sup>2</sup> )	Weight (oz/g)	Length (in/mm)	Thermal Resistance
CA-TX1-050-E	1	TEH100	35 / 22,666	2.1 / 59.4	1.97 / 50	5.8°C*
CA-TX2-050-E	2	TEH140				

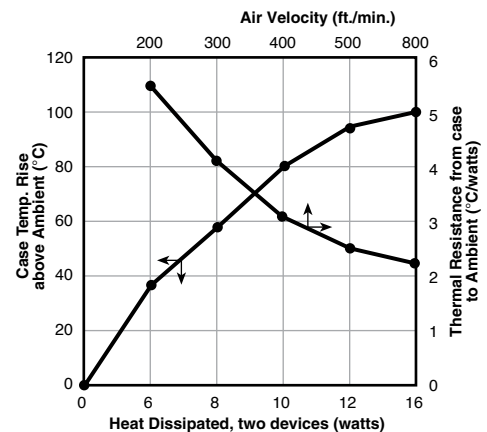
Designed to mount Ohmite TEH100, TEH140, and ARCOL AP101 resistors plus other TO-247 devices with thicknesses of 4.69-5.21mm

\*Based 70°C temp rise

### CHARACTERISTICS

<b>Heat Sink</b>	95% Al <sub>2</sub> O <sub>3</sub>
<b>Spring Clip</b>	Music Wire, Per ASTM A228 with bright nickel plating
<b>Solder Feet</b>	Copper with pure tin or nickel. RoHS compliant
<b>Clip Force</b>	18-20 lbf.
<b>Mounting</b>	Vertical thru-hole mount

### Thermal Performance



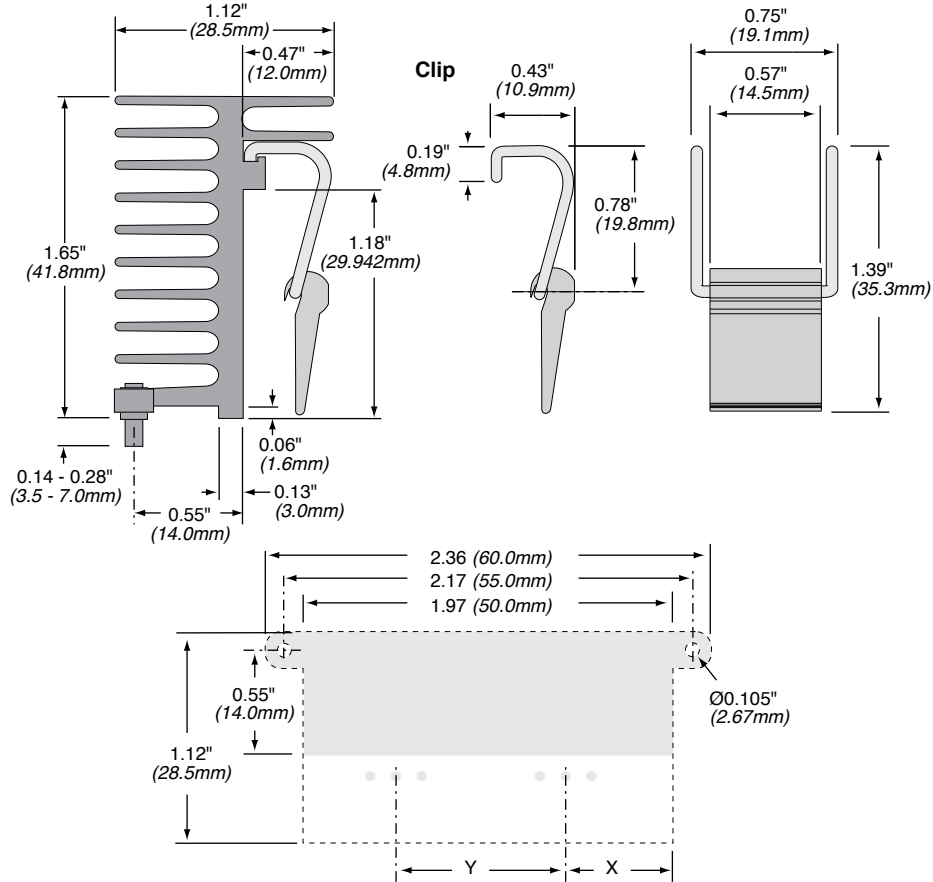
(continued)

# CA Series Heatsinks

## Ceramic Heatsinks For TO-247 and TO-264

### DIMENSIONS

(in./mm ±0.3mm)



### ORDERING INFORMATION

**CA-TX1-050-E**

Series	TO Packages, No. of clips	Extrusion length 50mm	RoHS Compliant
CA	TX1	050	E