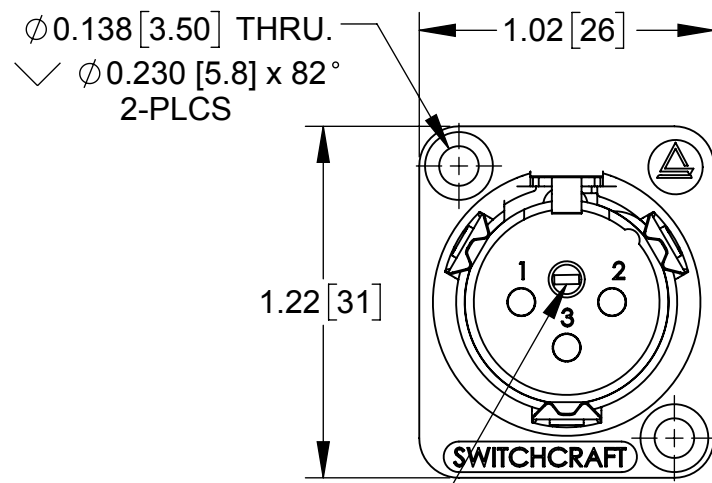
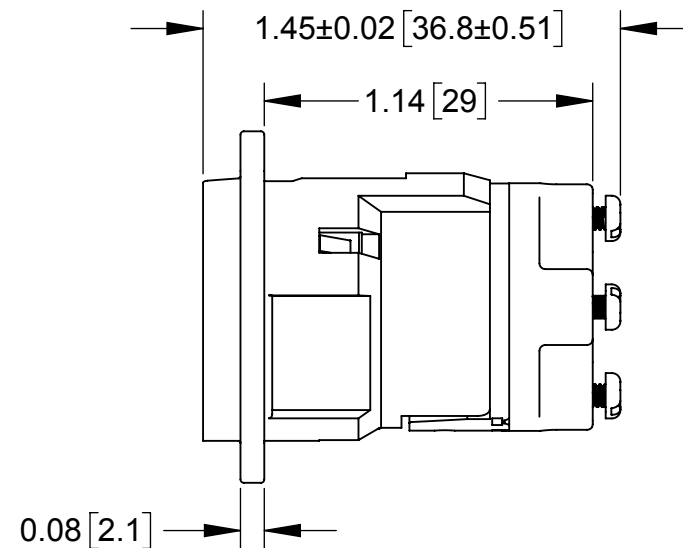


PART NUMBER	CONTACT PLATING	HOUSING FINISH
E3MSW	SILVER	SATIN NICKEL
E3MAUSW	GOLD	SATIN NICKEL
E3MBSW	SILVER	BLACK CHROME WITH CHEMICAL TREATMENT
E3MBAUSW	GOLD	BLACK CHROME WITH CHEMICAL TREATMENT

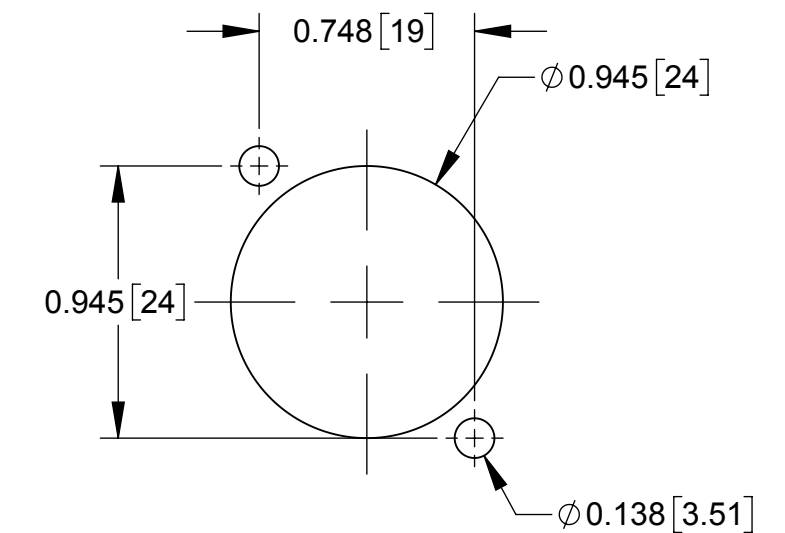
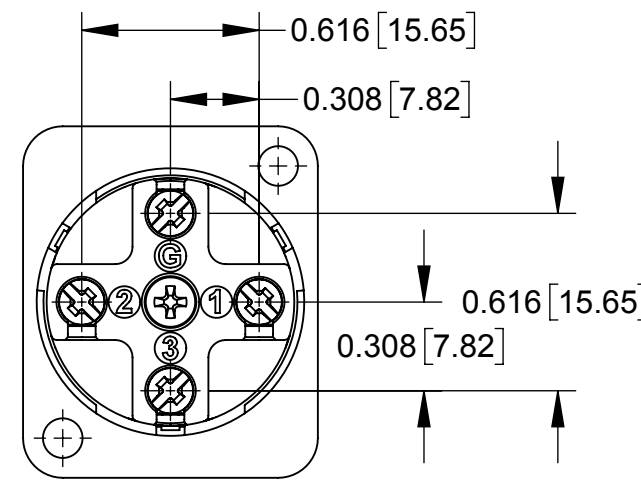
NOTE: ADD SUFFIX "EL" TO ABOVE PART NUMBERS FOR FIXED, NON-REMOVABLE CONNECTOR INSERT VERSION.



FRONT VIEW



REAR (WIRING) VIEW



RECOMMENDED PANEL CUT-OUT

INSERT LOCKING SCREW  
SEE NOTE 4

NOTES:

- MATERIAL:**  
SHELL - DIE CAST ZINC ALLOY, SATIN NICKEL OR BLACK CHROME FINISH  
INSULATOR INSERT, TERMINAL COVER - THERMOPLASTIC  
CONTACTS, TERMINAL POST - COPPER ALLOY, SILVER OR GOLD PLATED  
INSERT LOCKING CAM - DIE CAST ZINC ALLOY  
SCREWS - STAINLESS STEEL
- PLATING SPECIFICATIONS:**  
SILVER PLATE: 0.000120" [0.0003mm]  
GOLD PLATE: 0.00002" [0.000508mm] GOLD OVER 0.0002" [0.00508mm] NICKEL
- WIRING INSTRUCTIONS:**  
TERMINALS ACCEPT 16 TO 26 AWG SOLID OR STRANDED WIRE CONDUCTORS.  
RECOMMENDED STRIP & TIN LENGTH: 0.188" [4.8mm] TO 0.218" [5.5mm].  
RECOMMENDED SCREW TERMINAL TORQUE: 2 in-lb [ 0.226 Nm] MAXIMUM.
- CLOCKWISE TURNING OF LOCKING SCREW SECURES INSERT IN HOUSING, COUNTERCLOCKWISE TURNING RELEASES INSERT. DOES NOT APPLY TO NON-REMOVABLE INSERT VERSION CONNECTORS DENOTED BY SUFFIX "EL" IN THE PART NUMBER.**
- THESE PRODUCTS ARE RoHS COMPLIANT.

**CUSTOMER DRAWING**

REV	ECO NUMBER	DATE	BY	APVD
0B	ADDED "EL" VERSION	05/04/12	PNK	SRC
0A	PROJECT 08025	02/14/12	PNK	SRC

UNLESS OTHERWISE SPECIFIED				
1. ALL DIMENSIONS IN INCHES				
- TWO PLACE DECIMALS ±0.02				
- THREE PLACE DECIMALS ±0.005				
DO NOT SCALE DRAWING				

THIS DRAWING DESCRIBES A DESIGN CONSIDERED PROPRIETARY IN NATURE, DEVELOPED AND MANUFACTURED BY SWITCHCRAFT INC. AND IS RELEASED ON A CONFIDENTIAL BASIS FOR IDENTIFICATION PURPOSES ONLY.									
SIZE	WIDTH	MULT	LBS/M	TEMPER					
FINISH					MATERIAL				
SPEC No.					SPEC No.				
FIRST USED ON					SCALE				
					1.5:1				
DATE DRAWN	BY	CHKD	APVD						
02/14/12	PNK	PNK	SRC						
			02/14/12	02/14/12					
NAME E3M SERIES, SCREW TERMINALS, RoHS									
PART No. E3M_SW SERIES								REV	0B