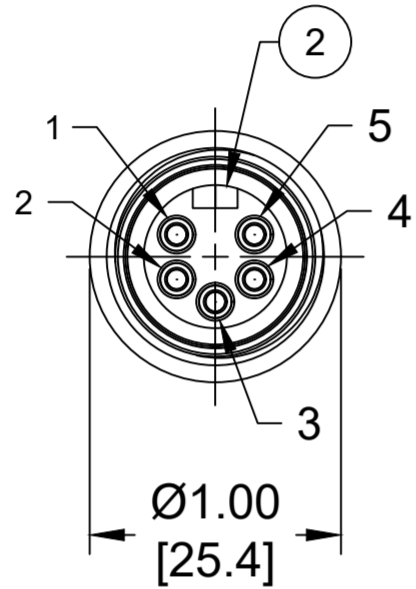
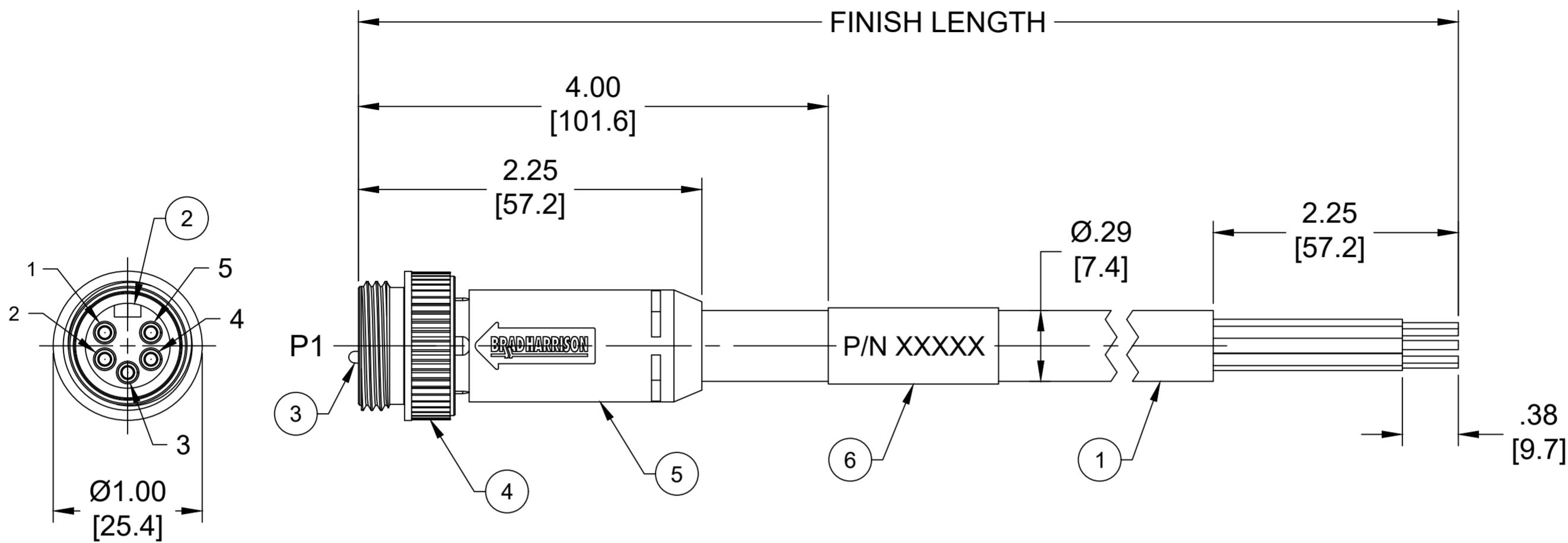
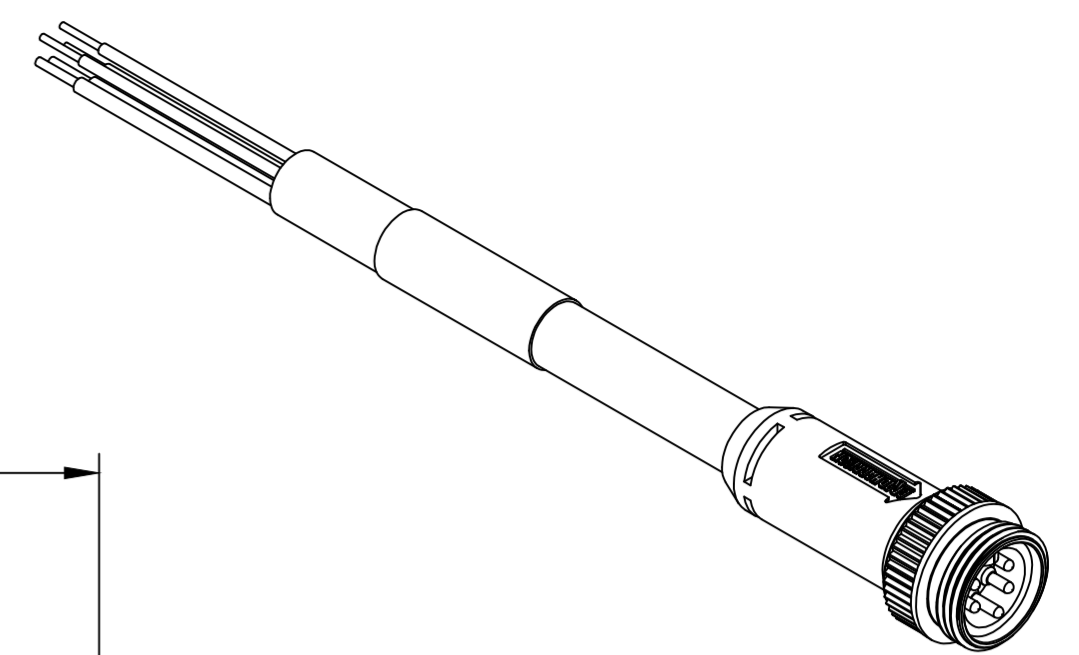


PART NO.	ENGINEERING NO.	FINISHED LENGTH
1300240189	DND01A-M005	0.5M [1FT 8 IN]
1300240198	DND01A-M100	10M [30FT 10 IN]
1300240201	DND01A-M200	20M [65FT 7 IN]

(C)



MALE FACE VIEW

P1	
1	DRAIN
2	RED +V
3	BLACK -V
4	WHITE CAN H
5	BLUE CAN L

WIRING DIAGRAM

NOTES:

- MATERIAL: AS NOTED
- FINISH: AS NOTED
- ELECTRICAL:
VOLTAGE RATING PER IEC60664: 300V
VOLTAGE RATING PER UL: 300V
CURRENT: 4A
- TEMP RATING: -20° TO +80°C
- PROTECTION: IP67 (WHEN MATED)
- COUPLING THREAD: 7/8"-16UN
- UL RECOGNIZED FILE: E152210
CSA CERTIFIED FILE: LR6837 (C)
- ALL DIMENSIONS ARE FOR REFERENCE UNLESS TOLERANCED OR NOTED OTHERWISE

PART NUMBER LEGEND (C)

DND01A-M005

CABLE LENGTH
M005= 0.5 METER
M010= 1 METER
M100= 10 METER

(C) CABLE LENGTH TOLERANCES

<.3M [1FT]:	+19mm-0 [+.75in-0]
.3 - .9M [1 - 3FT]:	+44.5mm-0 [+1.75in-0]
.9 - 1.8M [3 - 6FT]:	+55.6mm-0 [+2.19in-0]
1.8 - 3.7M [6 - 12FT]:	+88.9mm-0 [+3.50in-0]
3.7 - 7.3M [12 - 24FT]:	+165.1mm-0 [+6.50in-0]
7.3-14.6M [24 - 48FT]:	+317.5mm-0 [+12.50in-0]
14.6 - 30.5M [48-100FT]:	+622.3mm-0 [+24.50in-0]
OVER 30M [100FT]	+2% OF FINISHED LENGTH

ITEM	COMPONENT	MATERIAL	FINISH
6	WRAP LABEL	VINYL	BLACK/YELLOW
5	OVERMOLD	TPE	GRAY
4	COUPLING NUT	ZINC DIE CAST	BLACK-E-COAT
3	CONTACT PIN	BRASS	GOLD OVER NICKEL
2	INSERT	TPE	BLACK
1	CABLE 22 AWG, DEVICENET	PVC JACKET	GRAY

(C)

(C)

THIS DRAWING CONTAINS INFORMATION THAT IS PROPRIETARY TO MOLEX ELECTRONIC TECHNOLOGIES, LLC AND SHOULD NOT BE USED WITHOUT WRITTEN PERMISSION											
FUNCTIONAL SYMBOLS	DIMENSION UNITS	SCALE	CURRENT REV DESC: ITEM #2 & #5 WERE PVC. ADDED UL & CSA, P/N LEGEND & TOL CHART. MODIFIED P/N CHART								
	INCH/MM	NTS	EC NO: 720800 DRWN: ABENJAMINLW 2022/07/14 CHK'D: RSTONE 2022/09/09 APPR: BWOODMAN 2022/09/09								
GENERAL TOLERANCES (UNLESS SPECIFIED)											
DIVISIONAL SYMBOLS	mm		INITIAL REVISION:								
	4 PLACES	±----	DRWN: TWOLDEGE 2010/01/06								
	3 PLACES	±----	APPR: JFMURPHY 2010/01/20								
	2 PLACES	±----	ANGULAR TOL ± ---- °								
DRAFT WHERE APPLICABLE MUST REMAIN WITHIN DIMENSIONS		THIRD ANGLE PROJECTION	DRAWING	SERIES	MATERIAL NUMBER	CUSTOMER	SHEET NUMBER				
			C-SIZE	130024	SEE CHART	GENERAL MARKET	1 OF 1				



MINI-CHANGE DEVICENET, A SIZE 5 POLE, MALE, STRAIGHT, SINGLE KEY, #22/4AWG

PRODUCT CUSTOMER DRAWING

DOCUMENT NUMBER: SD-130024-090
DOC TYPE/DOC PART/REVISION: PSD 001 C