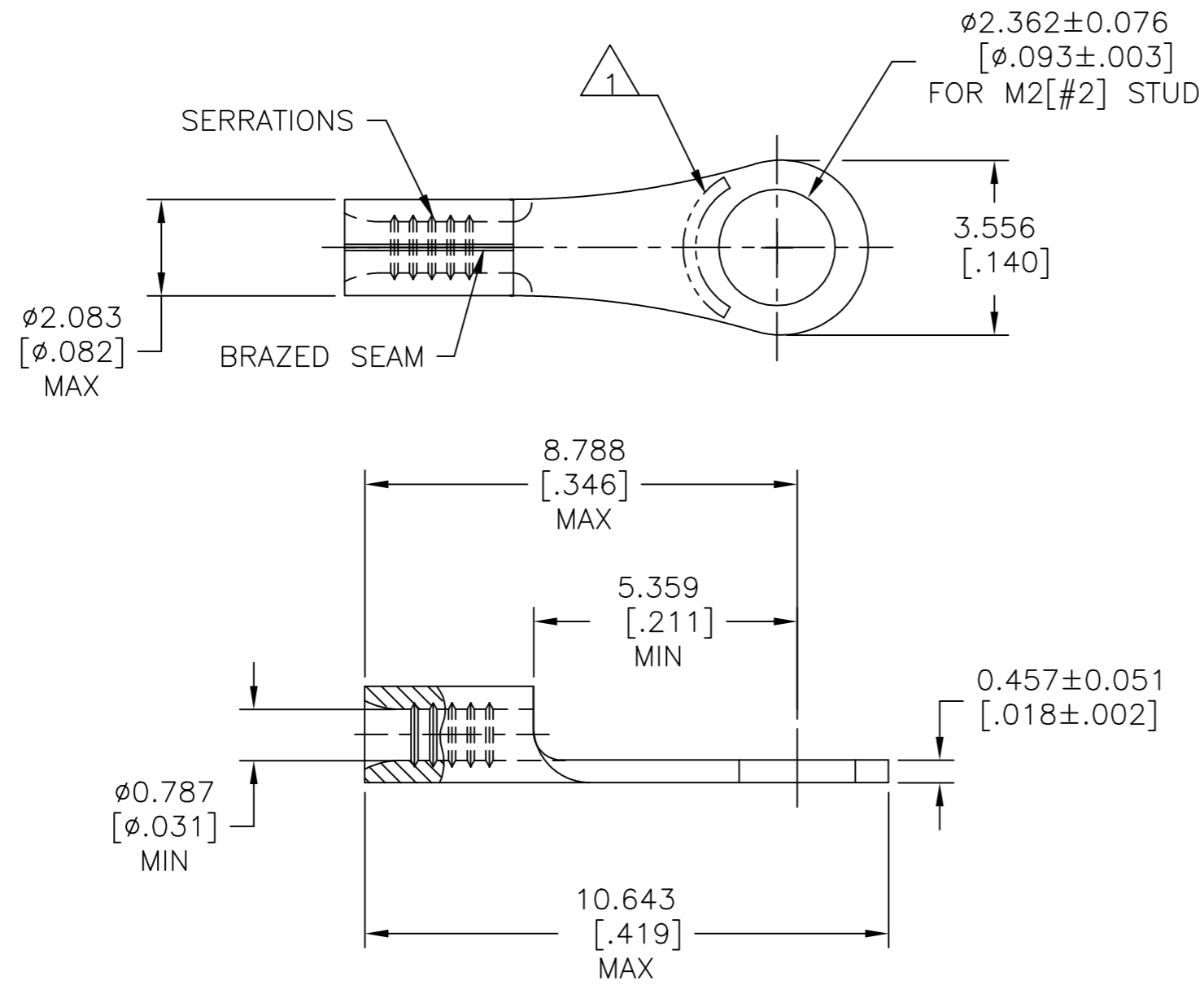


THIS DRAWING IS UNPUBLISHED. RELEASED FOR PUBLICATION  
 © COPYRIGHT - By - ALL RIGHTS RESERVED.

REVISIONS					
P	LTR	DESCRIPTION	DATE	DWN	APVD
H2		REVISED PER ECO-11-004917	11MAR11	RK	HMR
H3		REVISED PER ECO-17-008808	05MAR2018	RS	DR

<b>AMP</b> WIRE RANGE	E13288 Listed
26-22 AWG SOLID OR STRANDED	NOT LISTED
LR7189 Certified	MILITARY P/N AND CLASS
NOT CERTIFIED	NOT APPLICABLE



- STAMP AMP APPROX AS SHOWN
- TIN PLATE 0.00254[.000100] MIN THK PER MIL-T-10727
- GOLD PLATE 0.00254[.000100] MIN THK PER MIL-G-45204 OVER NICKEL PLATE 0.00127[.000050] MIN THK PER QQ-N-290
- CLEANED, UNPLATED

1000	LOOSE PIECE		50334-3
1000	LOOSE PIECE		50334-2
1000	LOOSE PIECE		50334
QTY	PACKAGE TYPE	FINISH	PART NUMBER

<b>AMP INCORPORATED CUSTOMER SERVICE SYSTEMS</b>		MAX RECOMMENDED OPERATING TEMPERATURE: 170° C[338°F] MAX
FOR ADDITIONAL PRODUCT INFORMATION OR COPIES OF DRAWINGS AND TECHNICAL DOCUMENTS	PRODUCT INFORMATION CENTER 1-800-522-6752	VOLTAGE RATING: NOT APPLICABLE
FOR APPLICATION TOOLING INFORMATION	TOOLING ASSISTANCE CENTER 1-800-722-1111	WIRE CROSS SECTIONAL AREA RANGE: 0.1-0.41mm <sup>2</sup> [202-810] CIR MILS SOLID OR STRANDED
FOR ORDER ENTRY	1-800-526-5142	THIS DRAWING IS A CONTROLLED DOCUMENT FOR AMP INCORPORATED. IT IS SUBJECT TO CHANGE AND THE CONTROLLING ENGINEERING ORGANIZATION SHOULD BE CONTACTED FOR THE LATEST REVISION.

THIS DRAWING IS A CONTROLLED DOCUMENT.		DWN TA BRINKMAN 3-9-93	TE Connectivity Ltd.	
DIMENSIONS: mm [INCHES]		CHK DA PATTERSON 3-9-93	NAME TERMINAL, RING TONGUE, SOLISTRAND 26-22 AWG	
TOLERANCES UNLESS OTHERWISE SPECIFIED: 0 PLC ± - 1 PLC ± - 2 PLC ± - 3 PLC ± 0.127[.005] 4 PLC ± - ANGLES ± -		APVD -	PRODUCT SPEC -	
MATERIAL COPPER PER ASTM B-152		FINISH ANNEALED	APPLICATION SPEC -	RESTRICTED TO -
CUSTOMER DRAWING		WEIGHT -	SIZE A2	CAGE CODE 00779
SCALE 8:1		DRAWING NO C=50334	SHEET 1 of 1	
		REV H3		