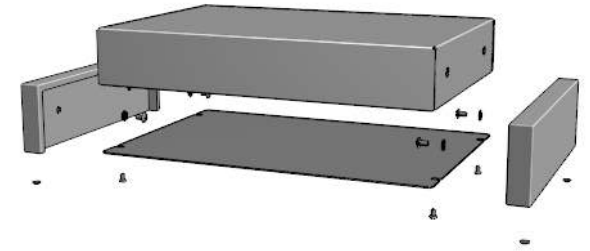
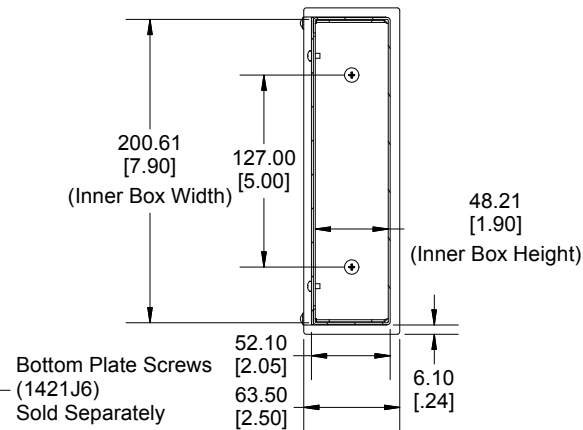
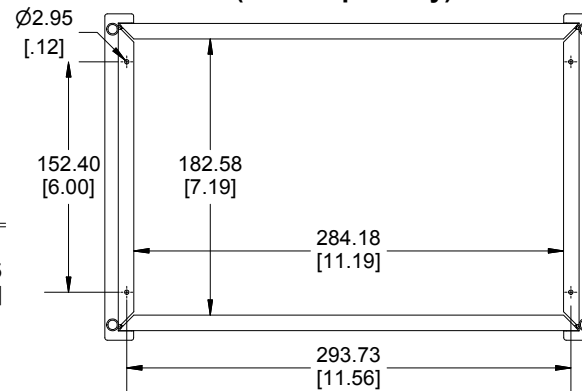


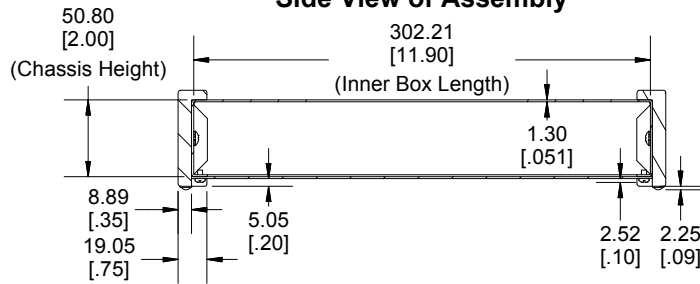
**SECTION A-A
End View of Assembly**



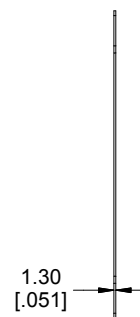
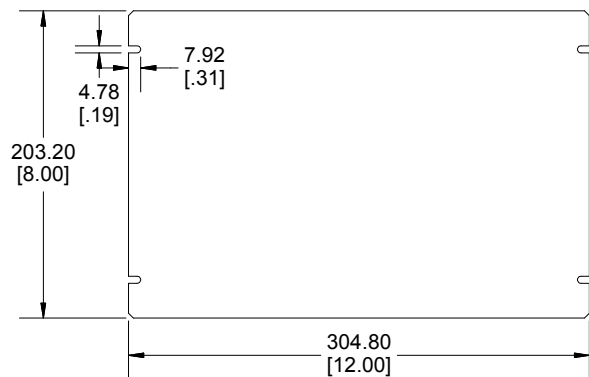
Bottom View of Chassis Assembly (Sold Separately)



**SECTION B-B
Side View of Assembly**



Bottom Plate (Sold Separately)



Enclosures can be Factory Modified (Milling, Drilling, Printing etc.)
Contact Factory mjm@hammondmfg.com for quotes
Solid models of this enclosure available in STEP or IGES.

NOTE

Chassis Includes Wooden Sides, Adhesive Rubber Feet and Required Hardware

Chassis is Made of 0.051" Aluminum.

Bottom Plate is Made of 0.051" Aluminum. (Sold Separately)

Screws should not be torqued past 4.43 lbf.in (50 cN.m)

PART NUMBERS

1444-22CWW Enclosure

Natural Finish Chassis	1444-22CWW
------------------------	------------

ACCESSORIES

Natural Finish Bottom Plate	1434-22
-----------------------------	---------

Plated Cover Screws (Pkg 6)	1421J6
-----------------------------	--------

[6-32 x 1/4" Self-Tapping Screws]	1421J6
-----------------------------------	--------

Clear Self-Adhesive Rubber Feet (Pkg 24)	1421T6CL
--	----------

Dimensions:
mm
[inches]

**HAMMOND
MANUFACTURING™**

1444-22CWW

www.hammondmfg.com