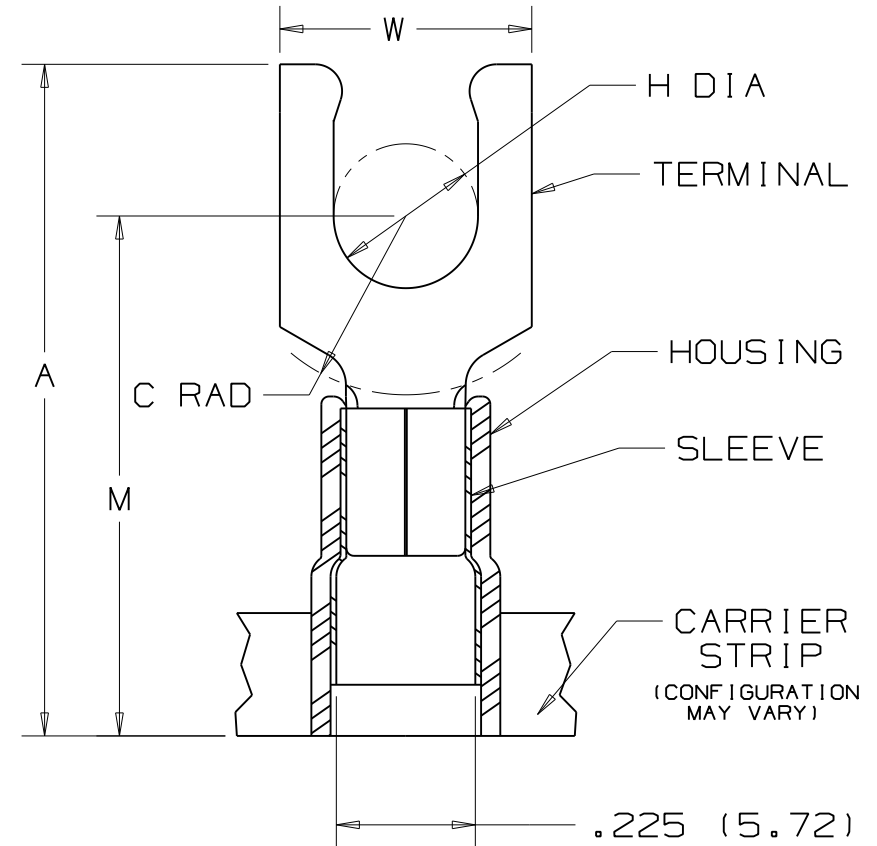


THIS COPY IS PROVIDED ON A RESTRICTED BASIS AND IS NOT TO BE USED IN ANY WAY DETRIMENTAL TO THE INTERESTS OF PANDUIT CORP.

PANDUIT PART NUMBER	STUD SIZE	DIMENSIONS in.				
		A $\pm .040$	W $\pm .010$	C $\pm .020$	M $\pm .040$	H $\pm .010$
PN10-6LF-2K	#6	1.02 (25.91)	.30 (7.62)	.21 (5.33)	.79 (20.07)	.14 (3.56)
PN10-8LF-2K	#8	1.05 (26.67)	.30 (7.62)	.21 (5.33)	.79 (20.07)	.16 (4.06)
PN10-10LF-2K	#10	1.05 (26.67)	.34 (8.64)	.21 (5.33)	.79 (20.07)	.19 (4.83)



NOTES :

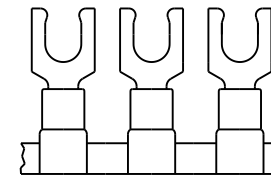
- UL LISTED AND CSA CERTIFIED FOR :  
 A. 600 V MAX. VOLTAGE RATING  
 B. 221°F (105°C) MAX. TEMP. RATING  
 C. #12-10 AWG (2.5-6.0 mm<sup>2</sup>) SOLID OR STRANDED, COPPER WIRE
- PACKAGE QTY. : 2K = 2000 PCS.  
CONTINUOUS MOLDED CARRIER STRIP
- MATERIAL :  
 A. STAMPING - .04" THK COPPER, TIN PLATED  
 B. HOUSING - YELLOW NYLON  
 C. SLEEVE - BRASS, TIN PLATED
- DIMENSIONS IN BRACKETS ARE IN MILLIMETERS
- INSTALLATION TOOLS :  
 A. PRESSES - CP-851, CP-860, CP-861  
 B. APPLICATOR - CA-800  
 C. DIE INSERTS - CD-800-3
- WIRE STRIP LENGTH:  $9/32^{+1/32}_{-0}$  (7.1<sup>+0.8</sup><sub>-0</sub>)



LISTED  
587H  
E52164



CERTIFIED  
LR31212



REV	DATE	BY	CHK	DESCRIPTION	ECN	CUST	PM
06	11/07	SRB		Removed part #PN10-14LF-2K Part Obsoleted			

**PANDUIT** CORP.

TINLEY PARK, ILLINOIS

TERMO 3PC. CONTINUOUSLY MOLDED NYLON INSULATED, 12-10 BARREL, LOCKING FORKS

DRAWN BY JMV    CHK'D LA    SCALE NONE    DRAWING NO. A41101