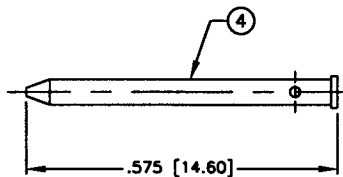
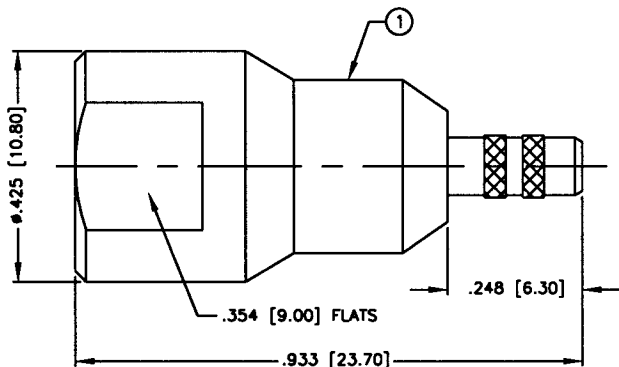


THIS DRAWING CONTAINS INFORMATION PROPRIETARY TO RF INDUSTRIES.
 ANY UNAUTHORIZED USE OF THIS DRAWING IS EXPRESSLY PROHIBITED
 WITHOUT WRITTEN PERMISSION FROM RF INDUSTRIES.
 ANY VIOLATION IS PUNISHABLE UNDER U.S. COPYRIGHT LAWS.

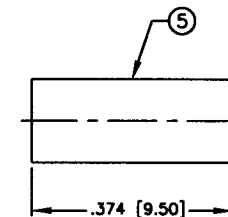
PART NO.

RFE-6000-B

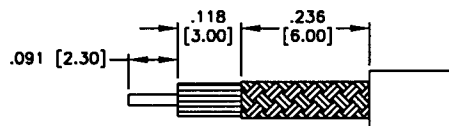
REV	DESCRIPTION	DWN	DATE	APPROVED
-	ENGINEERING RELEASE	CZS	9/14/00	JDMc
A	ADD CRIMP DIE DIM & SPECS	GGG	3/26/02	JDMc



RECOMMENDED SOLDER
 OR CRIMP USING .042" DIE



RECOMMENDED CRIMP DIE: .130"



RECOMMENDED STRIPPING DIMENSIONS

SPECIFICATIONS:

IMPEDANCE: 50 OHMS
 WORKING VOLTAGE RATING: 335 VRMS
 FREQUENCY RATING: 0-2 GHz
 FOR RG-174, 188, 188A, 316/U, ALPHA 9174, 9316,
 BELDEN 8216, 83269, 83284, 84316 & TIMES LMR-100A CABLE

ALL DIMENSIONS ARE REFERENCE ONLY

1	BODY	1	BRASS	NICKEL, 100μ"	008974	
2	INSULATOR	1	PTFE	---		
3	RETAINING RING	1	BRASS	NICKEL, 100μ"		
4	PIN	1	BRASS	GOLD, 3μ"		
5	FERRULE	1	BRASS	NICKEL, 100μ"		
6						
7						
8						
9						
10						
11						
12						
13						
14						
#	DESCRIPTION	QTY	MATRL	FINISH	APPROVALS	DATE

UNLESS OTHERWISE SPECIFIED:

1. REMOVE ALL BURRS
2. BREAK ALL CORNERS & EDGES .005 R. MAX.
3. CHAMFER 1ST & LAST THREADS 45°
4. SURFACE ROUGHNESS 63 FINISH MIL-STD-10
5. DIAMETERS ON COMMON CENTERS TO BE CONCENTRIC WITHIN .002 T.I.R.
6. ALL DIMENSIONS ARE AFTER PLATING.

DIMENSIONS ARE IN INCHES
 AND [MILLIMETERS]

UNLESS OTHERWISE NOTED
 TOLERANCES ARE:

DECIMALS	DIAMETER
.xxx±.003 [.08]	.xxx±.001 [.03]
.xx±.005 [.13]	.xx±.003 [.08]

RF connectors
 DIVISION OF RF INDUSTRIES, LTD.

7610 MIRAMAR RD
 SAN DIEGO, CA 92126
 (858) 549-6340
 (858) 549-6345 FAX

FME PLUG, CRIMP

SIZE	CABLE GROUP	DWG NO.	REV
A	B	RFE-6000-B	A
SCALE:	NTS	CAD FILE	OUTLINE
SHEET 1 OF 1			