


MC64SEG3-GPTLY3		64 Segment Display	LCD Module
<b>Specification</b>			
Version: 1		Date: 15/07/2012	
<b>Revision</b>			
1	12/07/2012	First Issue	

Display Features		
Segment Count		64
Appearance	Black on Yellow/Green	
Logic Voltage		3V
Interface		Parallel
Font Set		---
Display Mode		Transflective
Character Height		7mm
LC Type		Grey STN
Module Size	60.00 x 13.00 x 2.80 mm	
Operating Temperature	-20°C ~ +70°C	
Construction	COB	Box Quantity
LED Backlight	Yellow/Green	Weight / Display
		---
		---



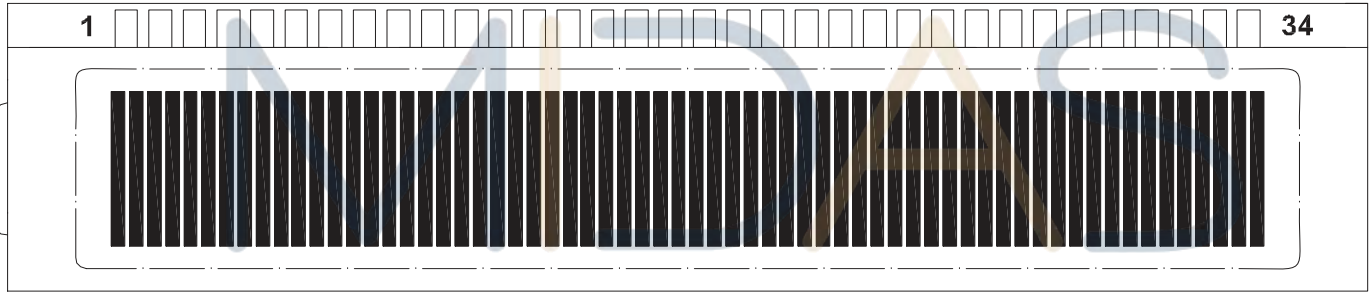
**RoHS**  
compliant

Display Accessories	
Part Number	Description

Optional Variants		
Fonts	Appearances	Voltage



DISPLAY MODE	POSITIVE/TRANSFLECTIVE/STN-GRAY	VIEWING ANGLE	3:00	OPERATING TEMP.	-20°C ~ 70°C	DUTY	1/2
CONNECTION	PIN	DRIVING VOLTAGE	3.0V	STORAGE TEMP.	-30°C ~ 80°C	BIAS	1/2
REMARKS	FREQUENCY: 64Hz						

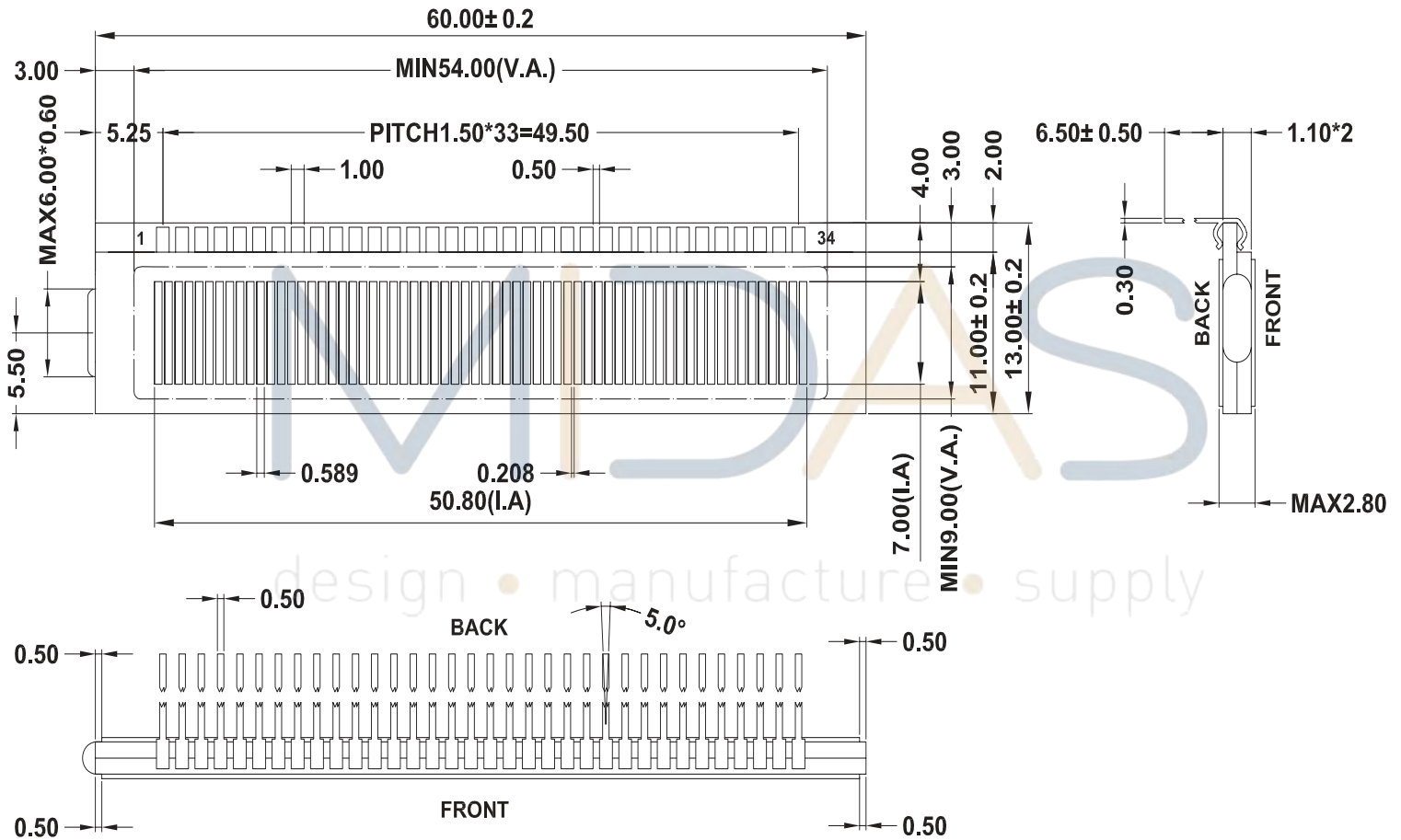


design • manufacture • supply  
1:1 SCALE

	DRAWN:	CHECKED:	CONFIRMED:	LCD NO:	MC64SEG3-GPTLY3	UNIT: mm	
				DWG NO:	MC64SEG3-GPTLY3		



DISPLAY MODE	POSITIVE/TRANSFLECTIVE/STN-GRAY	VIEWING ANGLE	3:00	OPERATING TEMP.	-20°C ~ 70°C	DUTY	1/2
CONNECTION	PIN	DRIVING VOLTAGE	3.0V	STORAGE TEMP.	-30°C ~ 80°C	BIAS	1/2
REMARKS	FREQUENCY: 64Hz						



DRAWN:

*魏燕东*

CHECKED:

*李长*

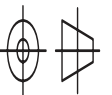
CONFIRMED:

*李长*

LCD NO: MC64SEG3-GPTLY3

DWG NO: MC64SEG3-GPTLY3

UNIT: mm

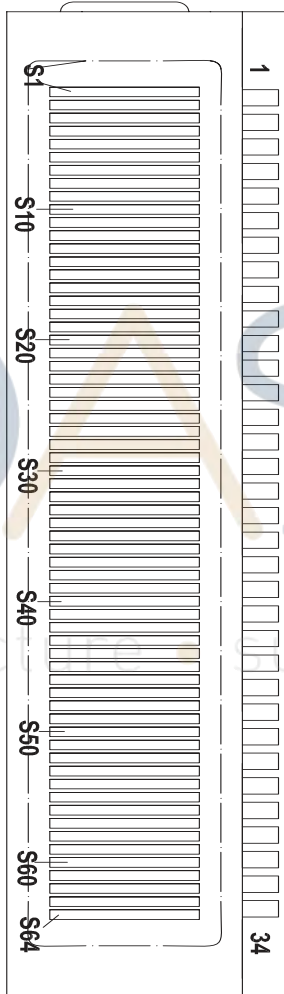


DISPLAY MODE	POSITIVE/TRANSFLECTIVE/STN-GRAY	VIEWING ANGLE	3:00	OPERATING TEMP.	-20°C ~ 70°C	DUTY	1/2
CONNECTION	PIN	DRIVING VOLTAGE	3.0V	STORAGE TEMP.	-30°C ~ 80°C	BIAS	1/2
REMARKS	FREQUENCY: 64Hz						

PIN	1	2	3	4	5	6	7	8	9	10	11	12	13	14	15	16	17
COM1	COM1		S1	S3	S5	S7	S9	S11	S13	S15	S17	S19	S21	S23	S25	S27	S29
COM2		COM2	S2	S4	S6	S8	S10	S12	S14	S16	S18	S20	S22	S24	S26	S28	S30

PIN	18	19	20	21	22	23	24	25	26	27	28	29	30	31	32	33	34
COM1	S31	S33	S35	S37	S39	S41	S43	S45	S47	S49	S51	S53	S55	S57	S59	S61	S63
COM2	S32	S34	S36	S38	S40	S42	S44	S46	S48	S50	S52	S54	S56	S58	S60	S62	S64



DRAWN:	CHECKED:	CONFIRMED:	LCD NO: MC64SEG3-GPTLY3	UNIT: mm	
			DWG NO: MC64SEG3-GPTLY3		

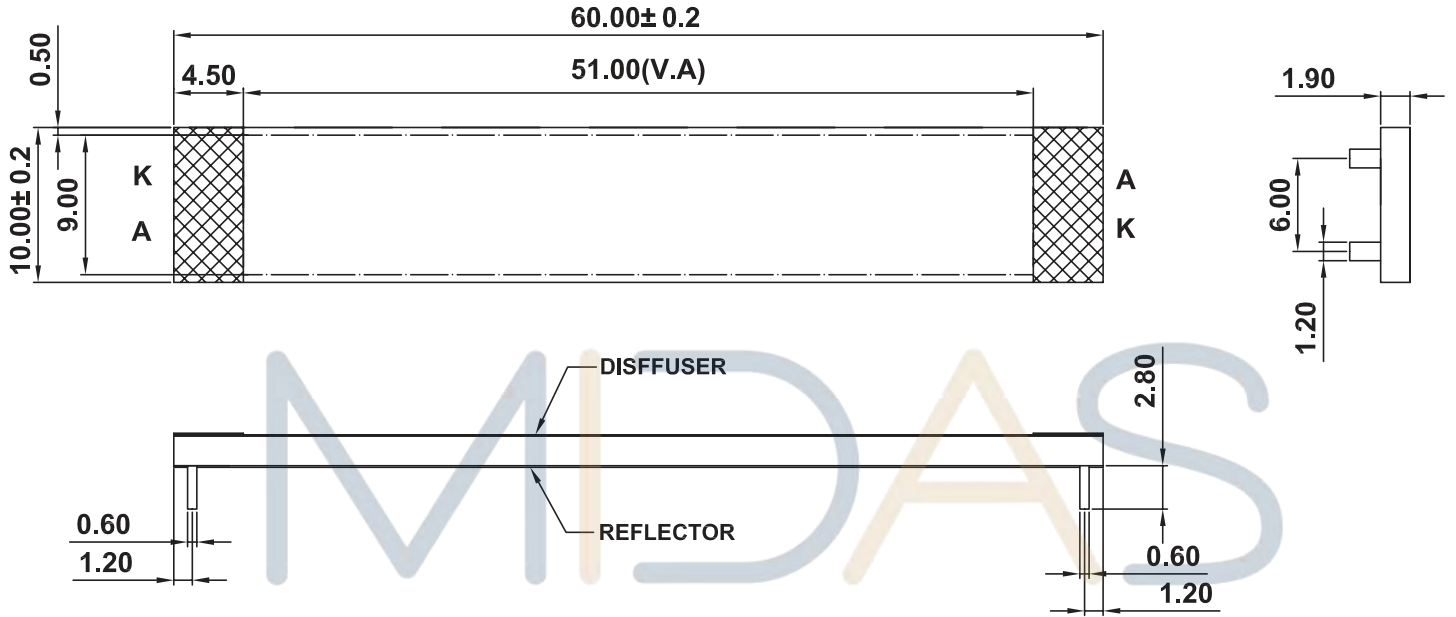
DISPLAY MODE	POSITIVE/TRANSFLECTIVE/STN-GRAY	VIEWING ANGLE	3:00	OPERATING TEMP.	-20°C ~ 70°C	DUTY	1/2
CONNECTION	PIN	DRIVING VOLTAGE	3.0V	STORAGE TEMP.	-30°C ~ 80°C	BIAS	1/2
REMARKS	FREQUENCY: 64Hz						

### 3. MECHANICAL OUTLINE

#### MECHANICAL OUTLINE

COLOR: YELLOW-GREEN

Unspecified Tolerances is  $\pm 0.3$ )

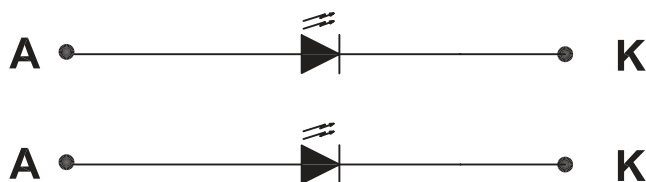


design • manufacture • supply



DISPLAY MODE	POSITIVE/TRANSFLECTIVE/STN-GRAY	VIEWING ANGLE	3:00	OPERATING TEMP.	-20°C ~ 70°C	DUTY	1/2
CONNECTION	PIN	DRIVING VOLTAGE	3.0V	STORAGE TEMP.	-30°C ~80°C	BIAS	1/2
REMARKS	FREQUENCY: 64Hz						

#### 4. CIRCUIT DIAGRAM (LED 1 X 2 =2 dies)



#### 5. STORAGE & SOLDERING CONDITIONS:

- Store with care. Storing the units in bad condition will cause the reflector sheet and decrease its adhesive power. Storage The products under the condition: temperature ( $25^{\circ}\text{C} \pm 10^{\circ}\text{C}$ ) and humidity ( $65\%RH \pm 20\%RH$ ) our recommendation.
- The Soldering Temperature is  $260 \pm 5^{\circ}\text{C}$  and Soldering Time should be less than 3sec, and soldering iron power should be less than 30W.
- The soldering point should be farther than 1.6mm (1/10") from body.

#### 6. ABSOLUTE MAXIMUM RATINGS

(Unless specified, the Ambient temperature  $T_a = 25^{\circ}\text{C}$ )

Item	Symbol	Conditions	Rating	Unit
Absolute maximum forward current	$I_{fm}$		$20 \times 2$	mA
Peak forward current	$I_{fp}$	1 msec Plus 10% Duty Cycle	—	mA
Reverse Voltage	$V_r$		0.8	V
Power dissipation	$P_d$		$75 \times 2$	mW
Operating Temperature Range	$T_{opr}$		$-20 \sim +70^{\circ}\text{C}$	$^{\circ}\text{C}$
Storage Temperature Range	$T_{stg}$		$-30 \sim +80^{\circ}\text{C}$	$^{\circ}\text{C}$

\* For operation above  $25^{\circ}\text{C}$ , The  $I_{fm}$   $I_{fp}$  &  $P_d$  must be derated, the Current derating is  $-1.08\text{mA}/^{\circ}\text{C}$  for DC drive and  $-2.58\text{mA}/^{\circ}\text{C}$  for Pulse drive, the Power dissipation is  $-27.0\text{mW}/^{\circ}\text{C}$  The product working current must not be more than 60% of the  $I_{fm}$  or  $I_{fp}$  according to the working temperature.

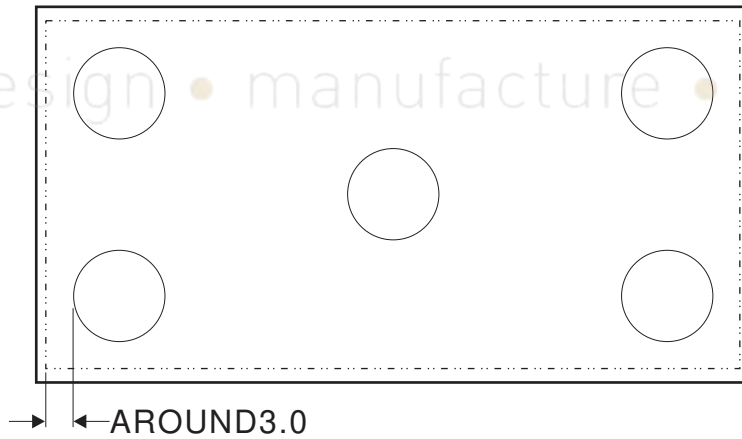
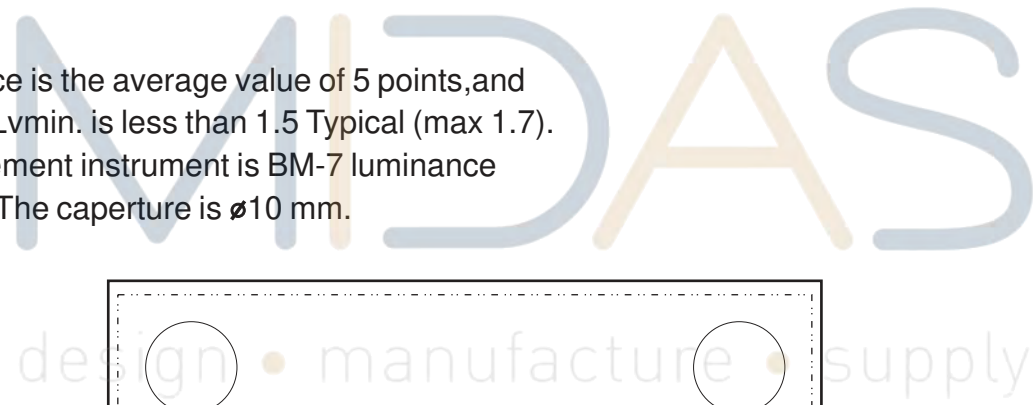


DISPLAY MODE	POSITIVE/TRANSFLECTIVE/STN-GRAY	VIEWING ANGLE	3:00	OPERATING TEMP.	-20°C ~ 70°C	DUTY	1/2
CONNECTION	PIN	DRIVING VOLTAGE	3.0V	STORAGE TEMP.	-30°C ~ 80°C	BIAS	1/2
REMARKS	FREQUENCY: 64Hz						

**5.ELECTRICAL-OPTICAL CHARACTERISTICS**  
(Unless specified,the Ambient temperature Ta=25°C)

Item	Symbol	Min.	Typ.	Max.	Unit	Condition
Forward Voltage	Vf	2.8	3.0	3.4	V	If= 15*2 mA
Reverse Current	Ir	—	—	10	μA	Vr= 5 V
Peak wave length	λp	569	—	575	nm	If= 15*2 mA
Spectral Line Half Width	Δλ	—	—	—	nm	—
Luminance	Lv	160	—	—	cd/m <sup>2</sup>	If= 15*2 mA

The luminance is the average value of 5 points,and  
The Lvmax./Lvmin. is less than 1.5 Typical (max 1.7).  
The measurement instrument is BM-7 luminance  
Colorimeter. The caperture is ø10 mm.



--	--	--	--	--

