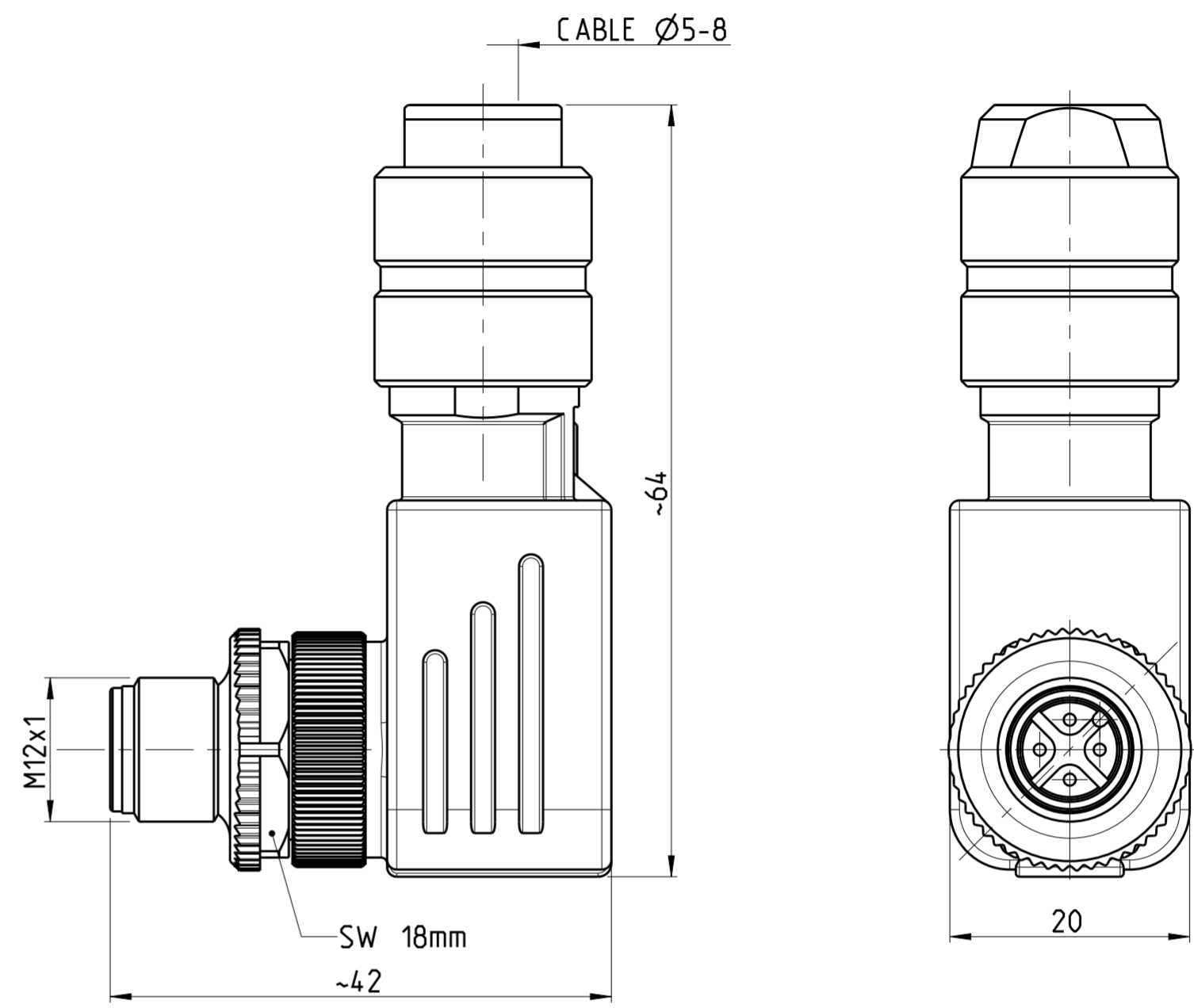
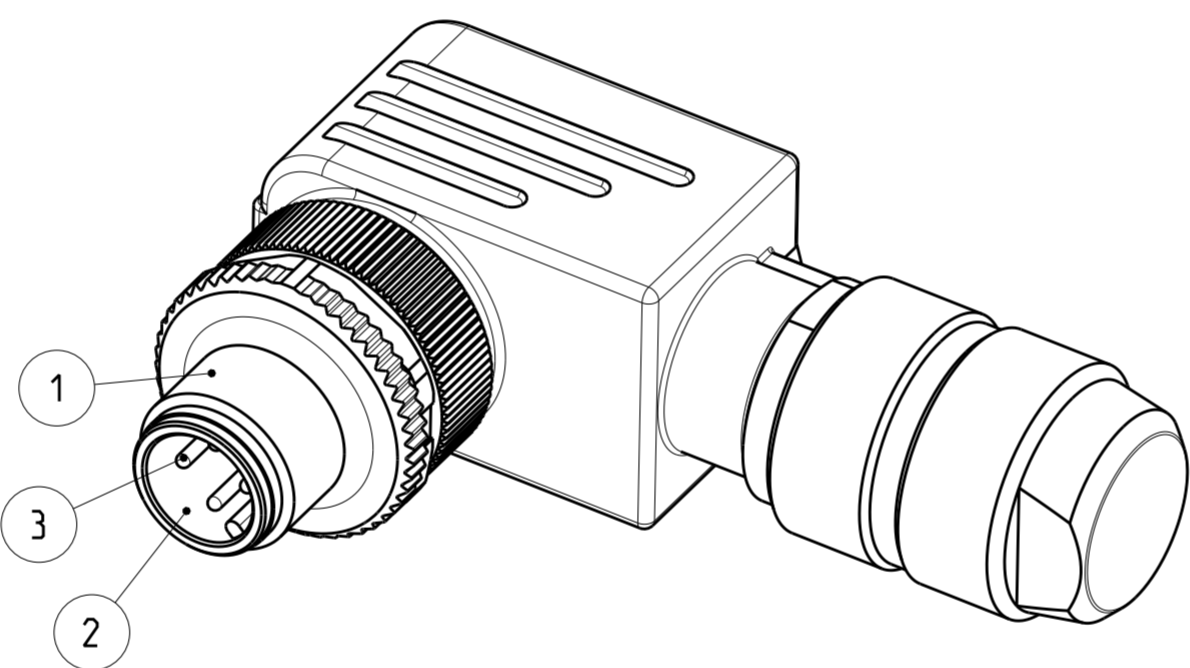


PROJECT NR.:		REVISIONS			
P	LTR	DESCRIPTION	DATE	DWN	APVD
	A2	DESCRIPTION CORRECTED FROM SOLDER TO SCREW TERMINAL IN TITLE BLOCK	13NOV2014	CR	JK

- 1 MATERIAL: ITEM NO. 1: HOUSING - ZINC DIECASTING, NICKEL PLATED  
 ITEM NO. 2: CONTACT BODY - PA  
 ITEM NO. 3: CONTACT - CuZn (brass)  
 CONTACT FINISH - Au (Gold)
- 2 ALL DIMENSIONS ARE FOR NOMINAL REFERENCE ONLY UNLESS OTHERWISE STATED
- 3 MEASUREMENT REFERENCE ONLY
- 4 PACKAGING: 1 PIECE IN A BAG

TECHNICAL DATA	3-2271123-2	4-2271123-2	5-2271123-2	6-2271123-2
RATED VOLTAGE	250V	125V	60V	30V
RATED IMPULSE VOLTAGE	2500V	1500V	800V	500V
POLLUTION DEGREE	3	3	3	3
OVERVOLTAGE CATEGORY	II	II	II	II
MATERIAL GROUP	II	II	II	II
RATED CURRENT	4A	4A	2A	2A
VOLUME RESISTIVITY	≤ 3mΩ	≤ 3mΩ	≤ 3mΩ	≤ 3mΩ
DEGREE OF PROTECTION	IP67	IP67	IP67	IP67
UPPER TEMPERATURE	+85 °C	+85 °C	+85 °C	+85 °C
LOWER TEMPERATURE	-40 °C	-40 °C	-40 °C	-40 °C



PIN ARRANGEMENT  
A-CODING

3-2271123-2	4-2271123-2	5-2271123-2	6-2271123-2

3-2 AS SHOWN  
WIE GEZEICHNET

CABLE FEED-THROUGH	WIRES	MATERIAL	NUMBER OF POLES	TE-PART-NO.
6-8	24 / 0.25mm <sup>2</sup>	⚠	12	6-2271123-2
5-8	20 / 0.50mm <sup>2</sup>	⚠	8	5-2271123-2
5-8	18 / 0.75mm <sup>2</sup>	⚠	5	4-2271123-2
5-8	18 / 0.75mm <sup>2</sup>	⚠	4	3-2271123-2

DIESE ZEICHNUNG IST EIN KONTROLLIERTES DOKUMENT.  
BEMASSUNGEN UND TOLERANZEN GEMAESS GPS (ISO STANDARDS).

THIS DRAWING IS A CONTROLLED DOCUMENT.  
DIMENSIONING AND TOLERANCING PER GPS (ISO STANDARDS).

DWN YASHKUMAR 19MAY2014  
 CHK M.STRELOW 19MAY2014  
 APVD C.SCHREITLINGER 19MAY2014

NAME M12 MALE 90 DEG ANGLED FIELD INSTALLABLE, SHIELDED CONNECTOR SCREW TERMINAL, A-CODING  
 PRODUCT SPEC 108-19483  
 APPLICATION SPEC 114-32127  
 WEIGHT -  
 Customer Drawing /KUNDENZEICHNUNG

**STE** TE Connectivity  
 SIZE A2 CAGE CODE 00779 DRAWING NO. C-2271123  
 SCALE MASSSTAB 2:1 SHEET BLATT 1 OF 1 REV A2

SIZE ISO 14405 (E)