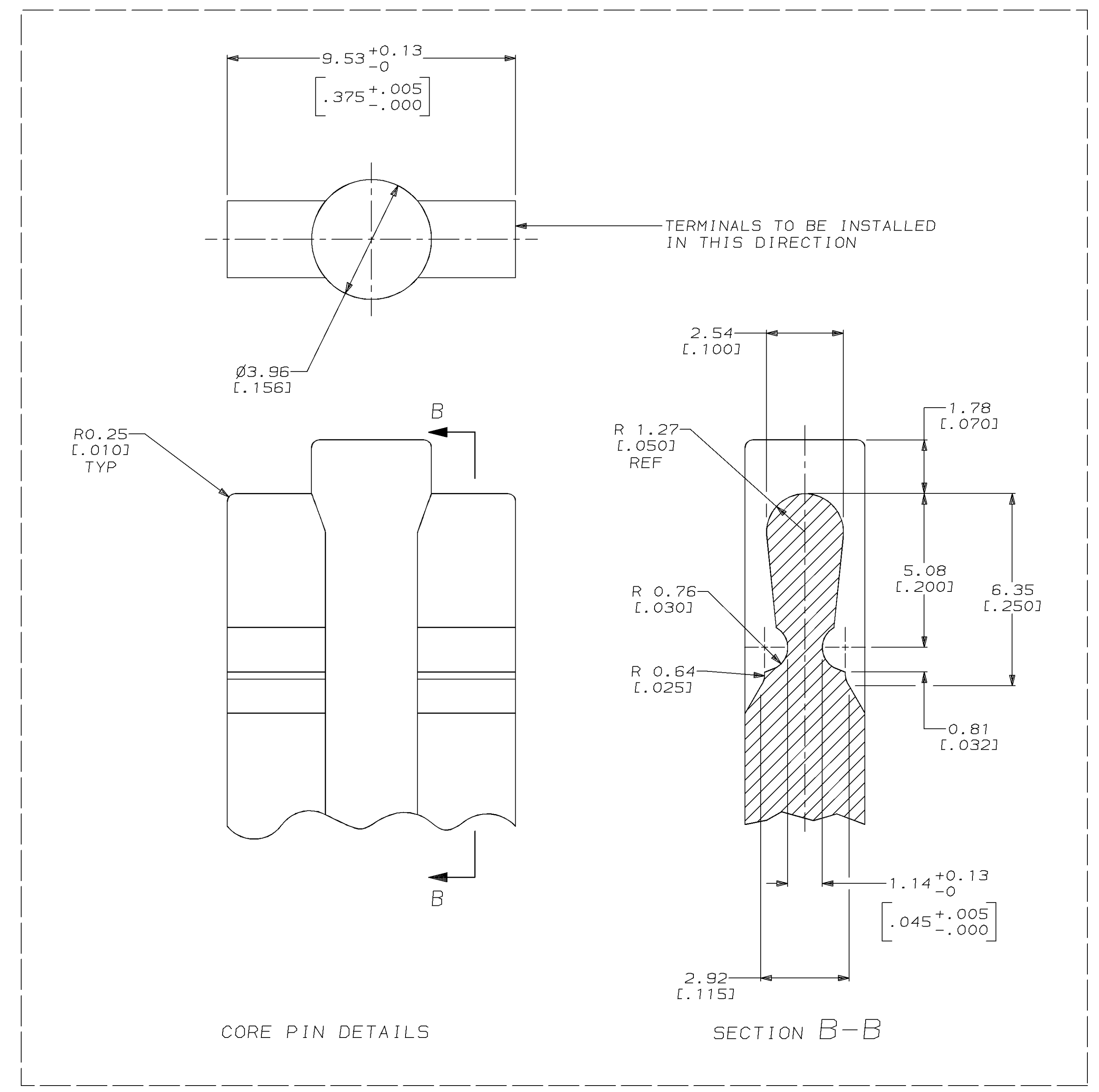
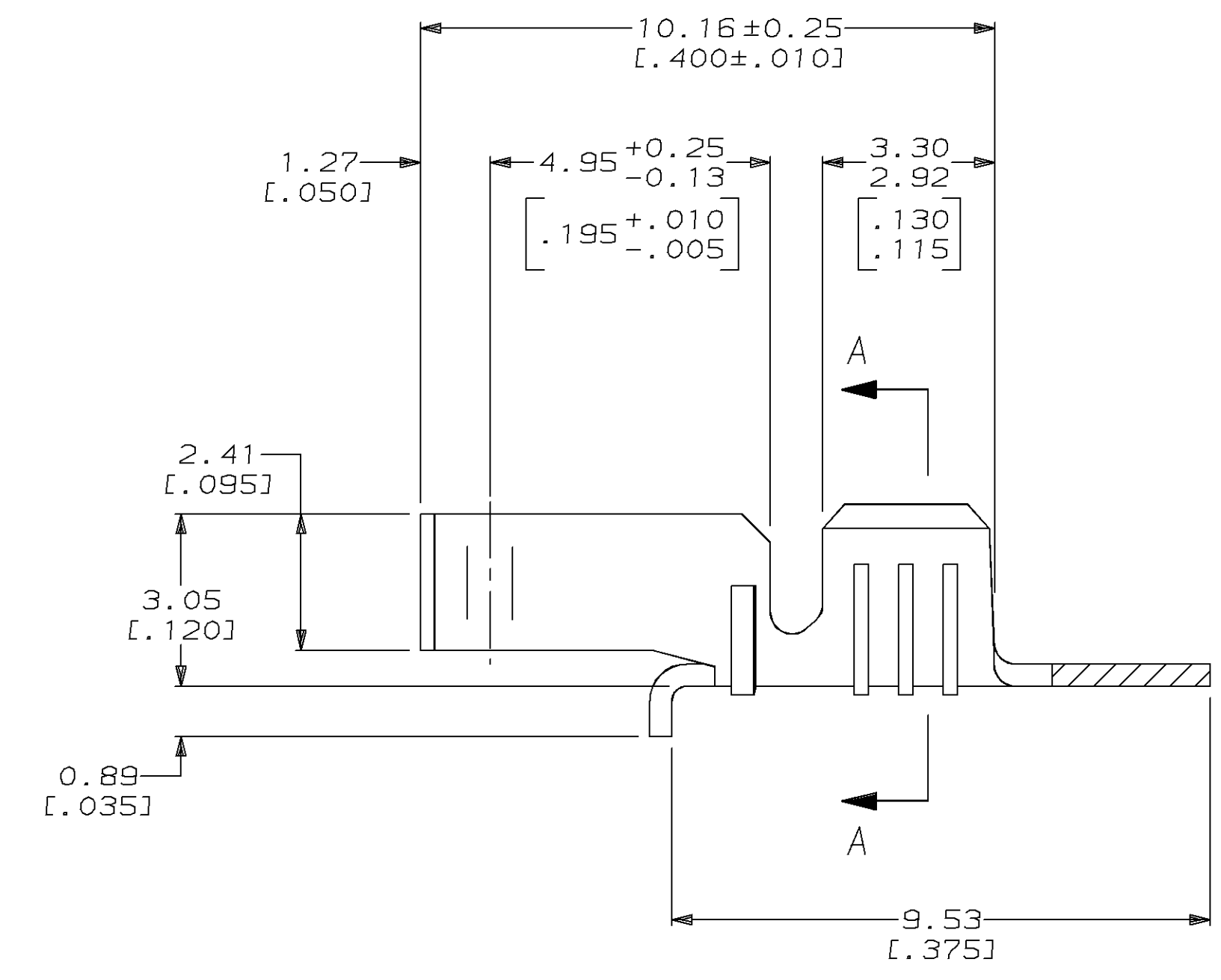
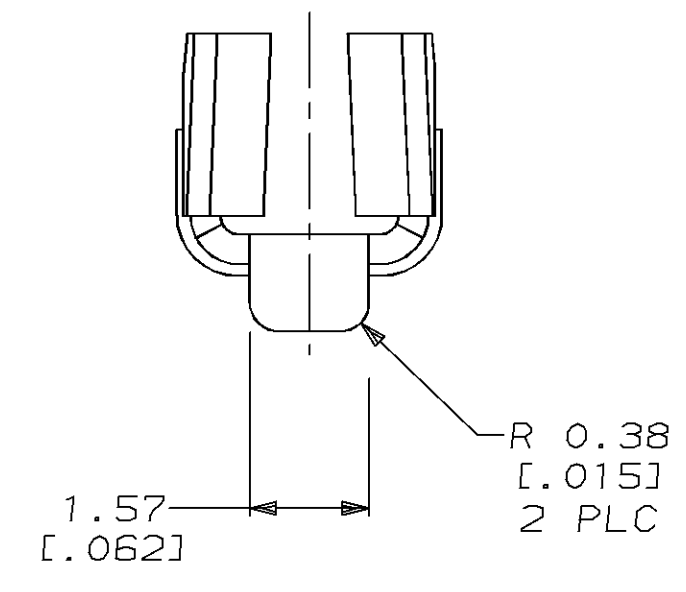
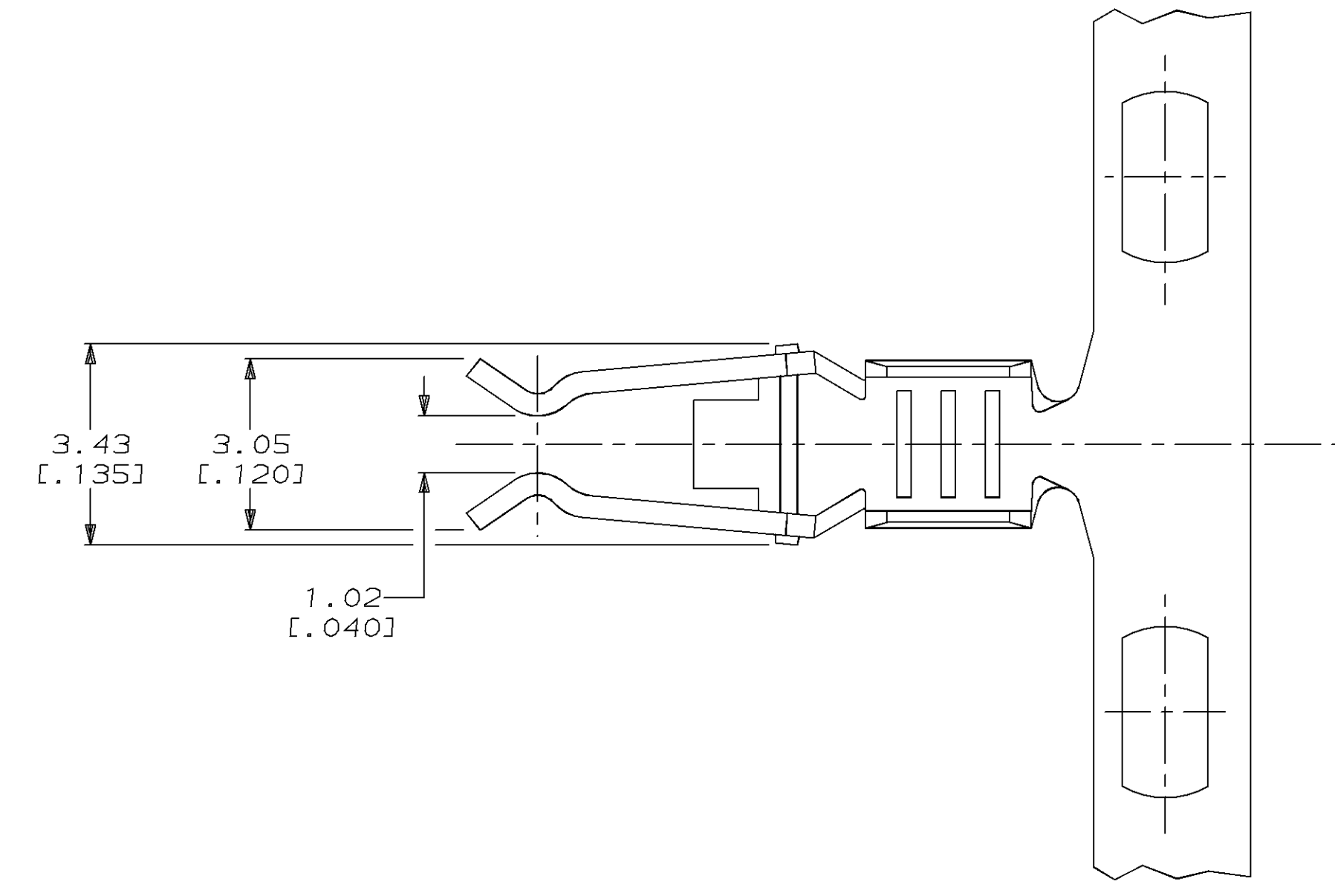
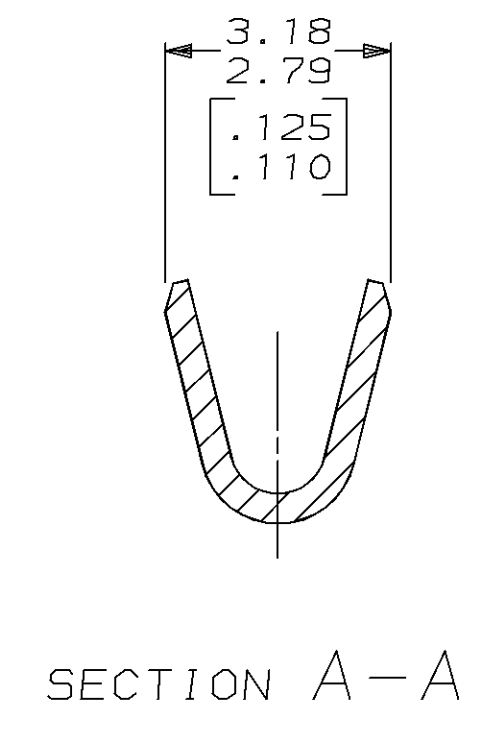


LOC		DIST		P		F		ZONE		LTR		REVISIONS		DATE	APPD
AF	50											J	REV PER 0710-0427-95	27/SEP/95	PF 05

1. WIRE RANGE: 0.5 - 1.4 mm² [20 - 16 AWG].
2. DIMENSION IN BRACKETS ARE IN INCHES.



61812-1
PART NO

DO NOT SCALE PRINT. UNLESS SPECIFIED DIMENSIONS IN mm [INCHES] TOLERANCES ON: 2 PLC DEC ± 0.13 [.005] 3 PLC DEC ± - ANGLES ± -	DR 2-18-94 T. BECK CHK 2-18-94 R. SWING APPD 4-03-95 R. GRAY APPD 4-03-95 R. GRAY PRODUCT SPEC - APPLICATION SPEC - WEIGHT -	MATERIAL 0.41 [.016] BRASS FINISH PRE-TIN
---	--	--

AMP Incorporated Harrisburg, PA 17105-3608		
NAME LAMP CLIP		
SIZE D	CAGE CODE 00779	DRAWING NO 61812
SCALE 10:1	SHEET 1 OF 1	

METRIC

THIS DRAWING IS A CONTROLLED DOCUMENT FOR AMP INCORPORATED. IT IS SUBJECT TO CHANGE AND THE CONTROLLING ENGINEERING ORGANIZATION SHOULD BE CONTACTED FOR THE LATEST REVISION.

CUSTOMER DRAWING