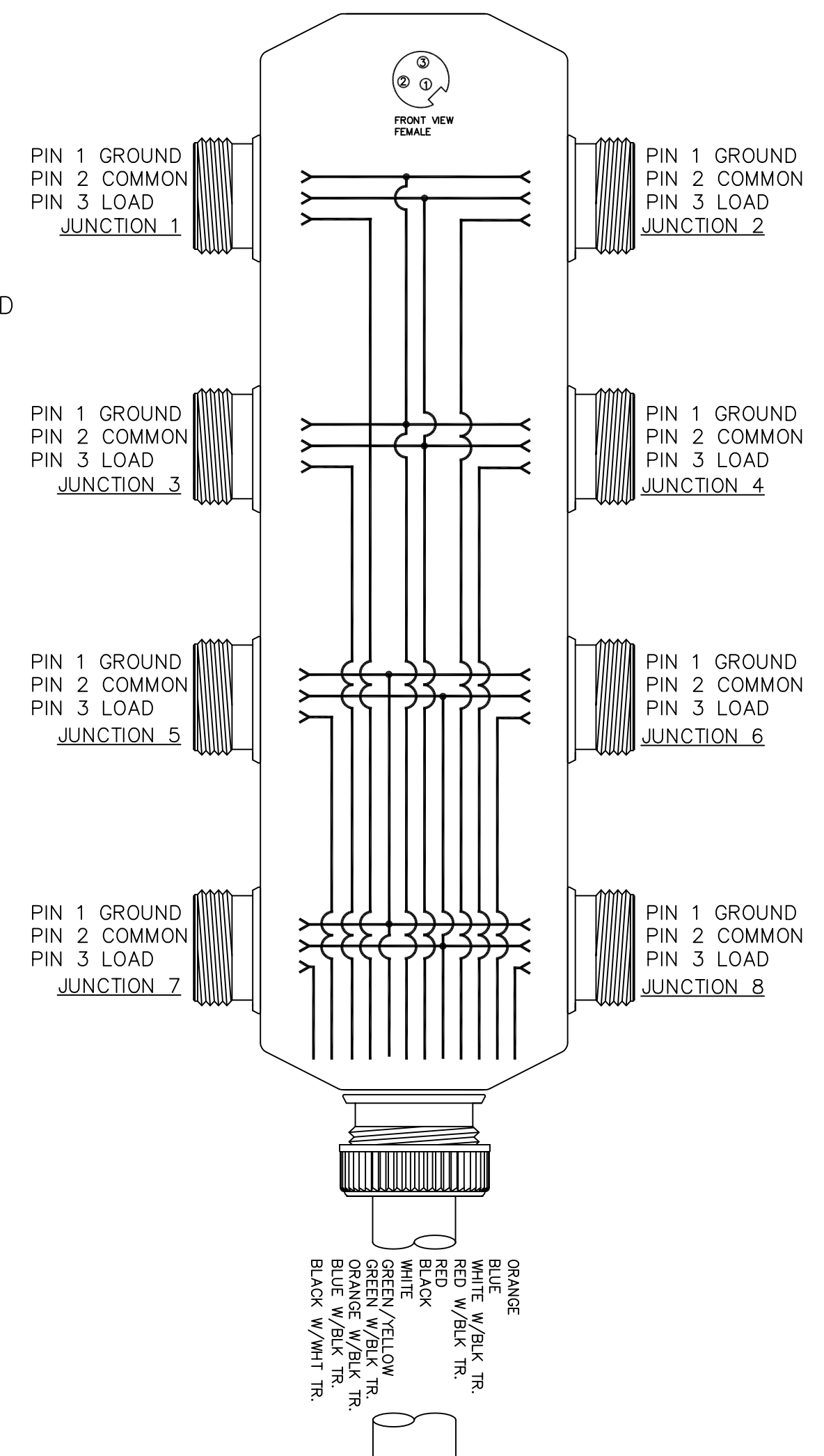
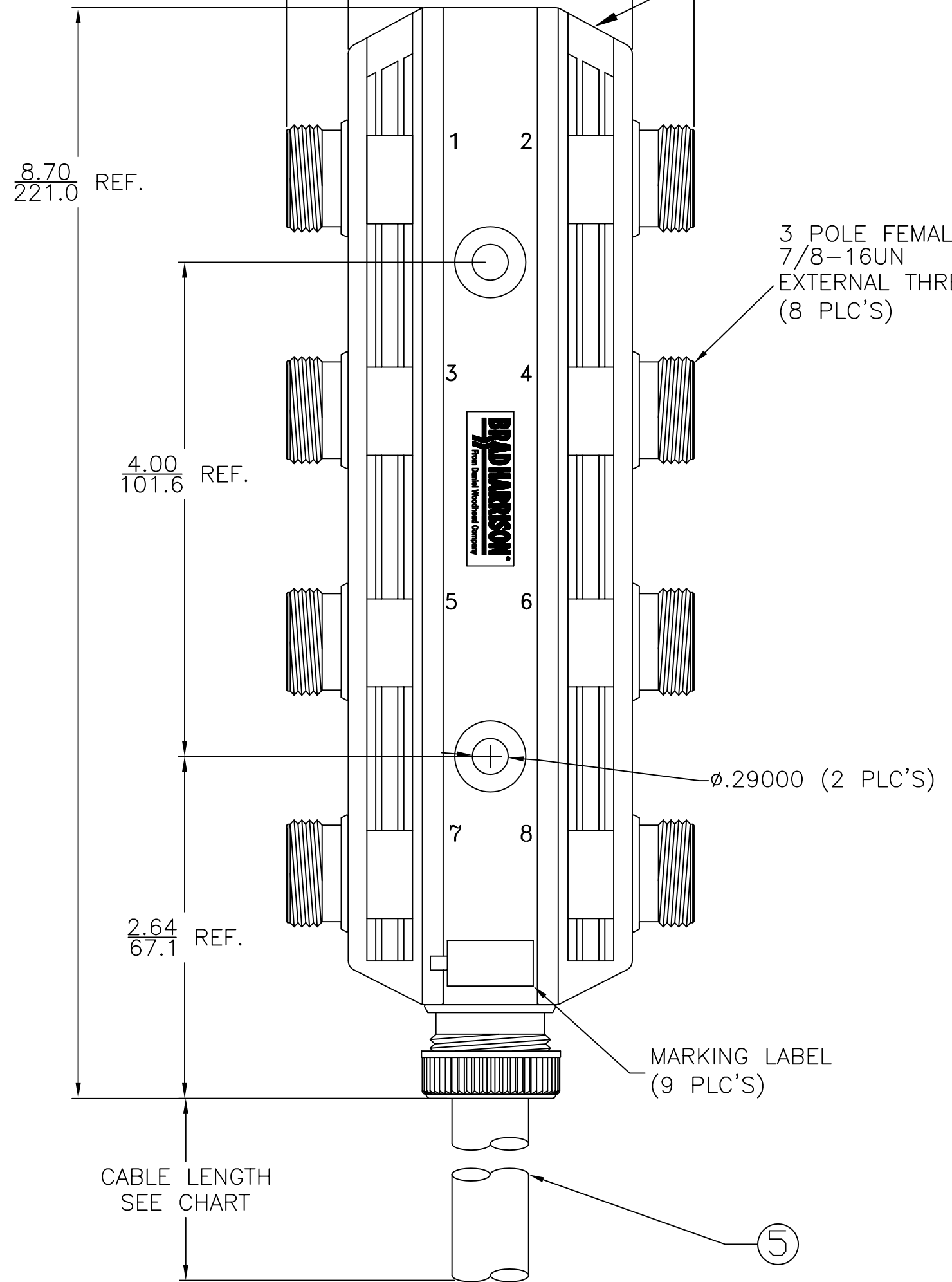
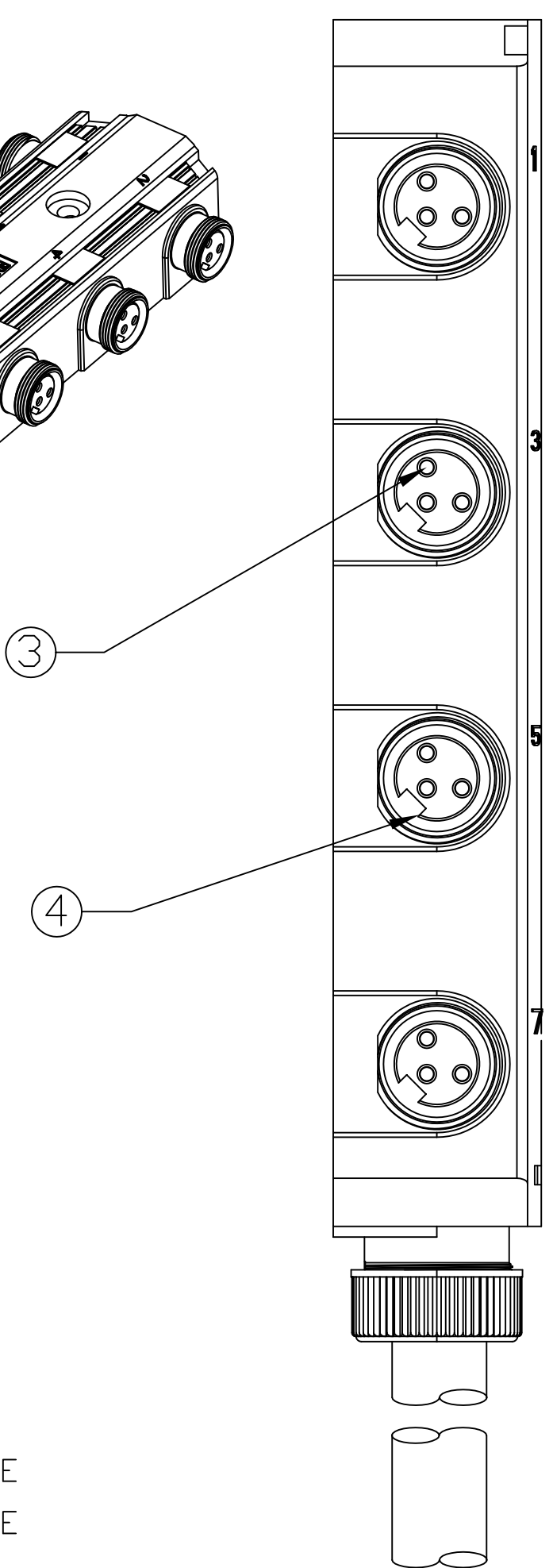
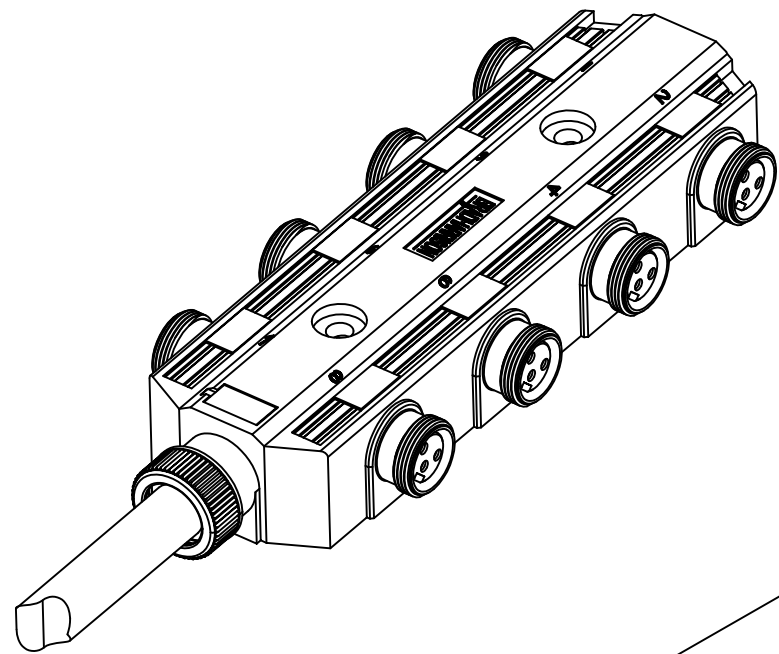


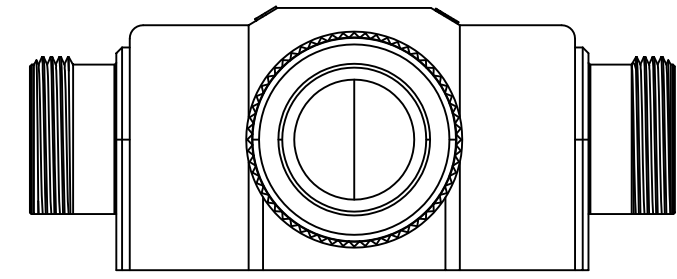
13	12	11	10	9	8	7	6	5	4	3	2	1
MATERIAL NUMBER	ENGINEERING NUMBER	CABLE LENGTH										
1300600022	409P893-03	3.00' +1.75" -0 [0.91M +44.5 -0]										



NOTES:

- 1) MATERIAL: SEE TABLE
- 2) FINISHES: SEE TABLE
- 3) ELECTRICAL DATA:
VOLTAGE: 600V AC/DC
AMPERAGE: 7AMPS PER MPIS UNIT
- 4) ENVIRONMENTAL:
PROTECTION IP67
OPERATING TEMPERATURE RANGE: -25C TO 90C
- 5) LABEL IS MARKED WITH P/N, DATE CODE, AND SCHEMATIC
- 6) CERTIFICATION:
UL: UL RECOGNIZED
CSA: CSA CERTIFIED

ITEM	QTY.	DESCRIPTION	MATERIAL	FINISH
5	1	CABLE	PVC JACKET	YELLOW
4	8	INSERT	PVC	YELLOW
3	24	SOCKET CONTACT	COPPER ALLOY	GOLD PLATED
2	8	RECEPTACLE SHELL	E-COATED ZINC ALLOY	BLACK
1	1	HOUSING	PBT	YELLOW



EC NO: WNA2010-0456 DRWN: TWOLDEGE 2010/01/25 CH'KD: BWOODMAN APPR: JFMURPHY 2010/01/29 RELEASE	DESCRIPTION A	REV	QUALITY SYMBOL ▽=0 ◁=0	GENERAL TOLERANCES (UNLESS SPECIFIED)		DIMENSION STYLE		SCALE	DESIGN UNITS	THIRD ANGLE PROJECTION		
						---		1:1	INCH			
				4 PLACES	±---	±---	---	---	DRAWN BY DATE		TITLE	
				3 PLACES	±---	±.005	---	---	CHECKED BY DATE		8PORT SIDE MOUNT MPIS 8PORT 3-POLE FEMALE W/ MOLDED HOME RUN CABLE	
2 PLACES	±0.13	±.010	---	---	APPROVED BY DATE		MOLEX INCORPORATED					
1 PLACE	±0.25	±.020	---	---	JFMURPHY 2010/01/29		DOCUMENT NO. SD-130060-008					
ANGULAR ±1/2°				DRAFT WHERE APPLICABLE MUST REMAIN WITHIN DIMENSIONS		MATERIAL NO. SEE CHART		SHEET NO. 1 OF 1				
THIS DRAWING CONTAINS INFORMATION THAT IS PROPRIETARY TO MOLEX INCORPORATED AND SHOULD NOT BE USED WITHOUT WRITTEN PERMISSION												