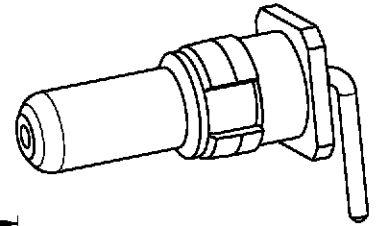
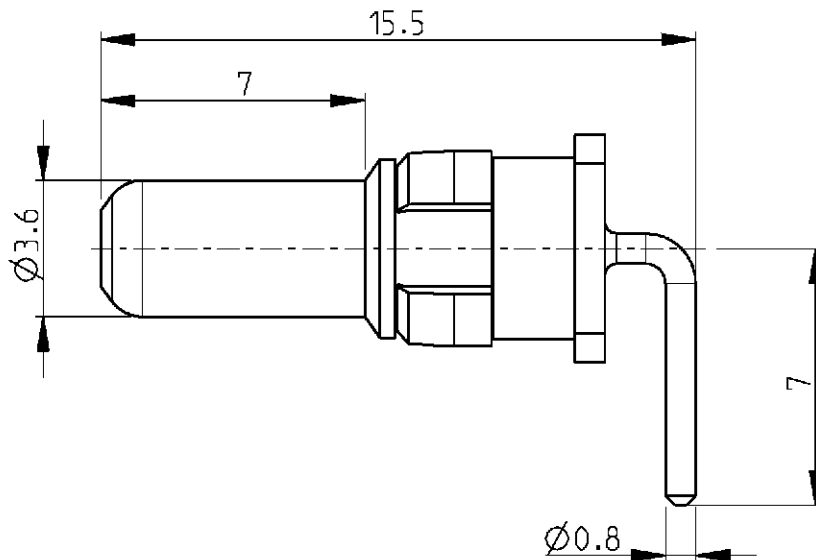


LOC	DIST	REVISIONS				
P	LTR	DESCRIPTION	DATE	DWN	APVD	
GW	-	A	-	19APR2001	BL	KM

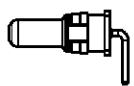


3:1



- 2) All dimensions are max unless otherwise specified.
- 1) Application DIN 41612 type M.

Cross reference table				
Old part number	Tyco part number	Material	Plating	Current
C42334-A347-A103	2-1393589-0	Brass	1 µm Au or Pd in contact area	10 A



1:1

2000  
RELEASED FOR PUBLICATION

THIS DRAWING IS UNPUBLISHED.  
COPYRIGHT 2000 BY TYCO ELECTRONICS CORPORATION. ALL RIGHTS RESERVED.

DIMENSIONS: mm	DWN B. Lenvain	19APR2001	MATERIAL	-	FINISH	-
	CHR K. Mattheeuws	19APR2001	Tyco Electronics Oostkamp - Belgium			
TOLERANCES UNLESS OTHERWISE SPECIFIED:	APVD R. Leeman	19APR2001				
0 PLC ±	PRODUCT SPEC	-	NAME High current plug with PCB connection			
1 PLC ±	APPLICATION SPEC	-	SIZE	CAGE CODE	DRAWING NO	RESTRICTED TO
2 PLC ±			A 4	00779	©=2-1393589-0	-
3 PLC ±	WEIGHT	-	CUSTOMER DRAWING			
4 PLC ±			SCALE	SHEET	OF	REV
ANGLES ±			6/1	1	1	A