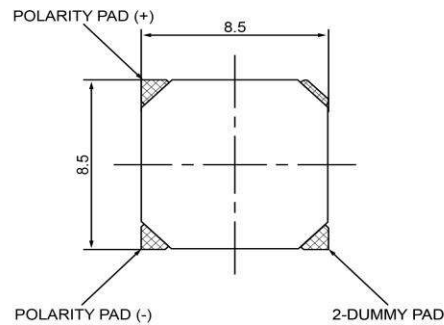
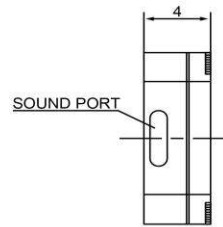


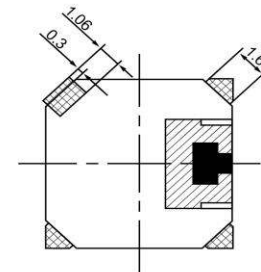
TOP VIEW





SIDE VIEW



BOTTOM VIEW



Specifications			Notes	Revision History					
Description	Value	Unit		Version	Description	Date	Approved		
Technology	Electro-Mechanical		1) All dimensions are in mm unless otherwise noted 2) All parts meet RoHS	1	Released from Engineering	10/21/2013	J.S		
Resonant Frequency	2,730	(Hz)							
Rated Voltage	3.6	(V)							
SPL @ 10cm	85	(dBA)							
Coil Resistance	16	(ohm)							
Mount Type	Surface Mount								
Voltage Range	2.5 ~ 4.5	(V)							
Max Rated Current	90	(mA)							
Housing Material	LCP								
Operating Temperature	-30 ~ +80	°C							
Storage Temperature	-40 ~ +85	°C							
Weight	0.6	(g)							
						Electro-Mechanical Transducer		TE082703-2	
						Drawn by: A.B. Date: 10/21/2013 Checked by: C.E. Date: 10/21/2013 Approved by: J.S Date: 10/21/2013			

Additional considerations can be found at www.dbunlimitedco.com/technical-articles.