

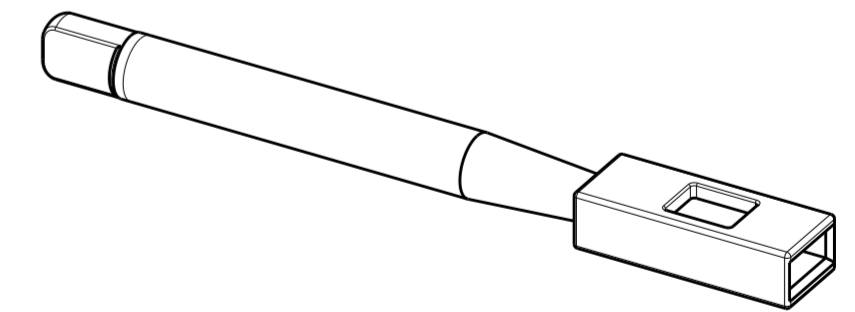
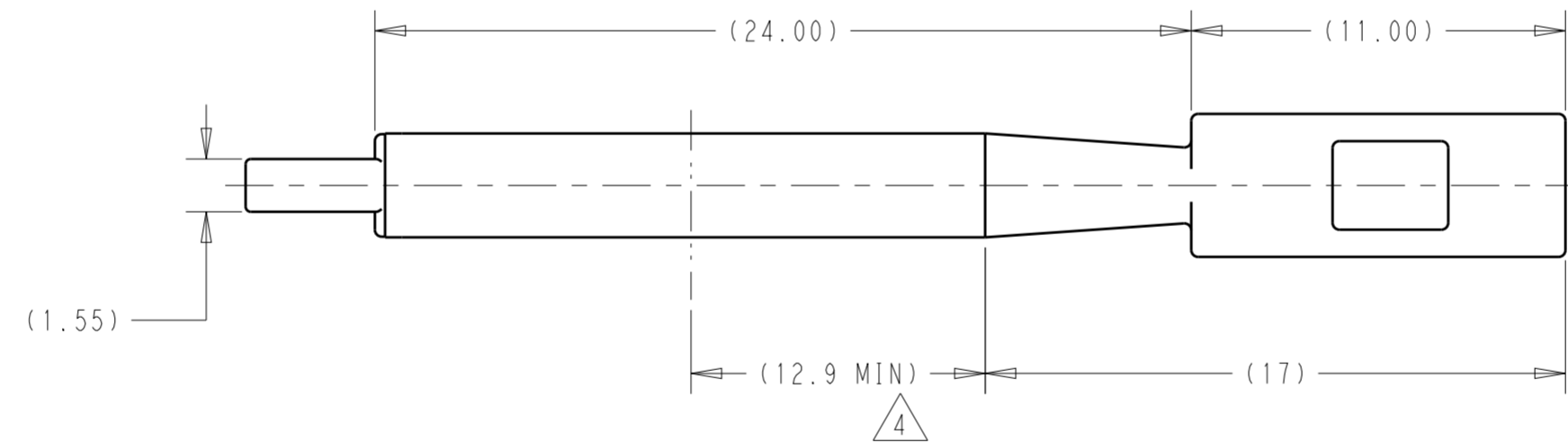
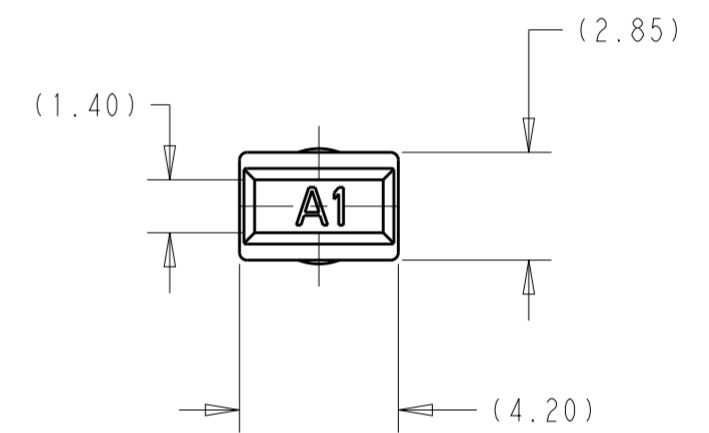
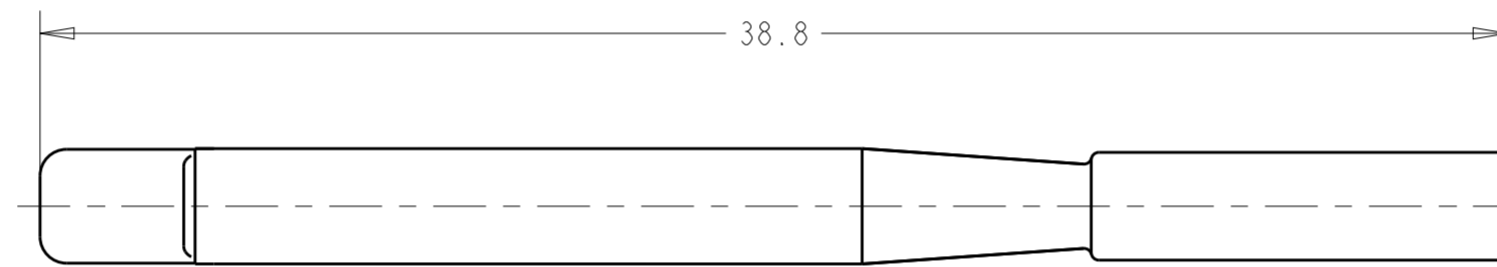
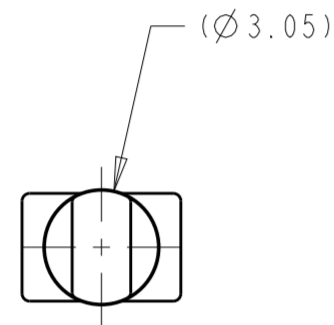



P	LTR	DESCRIPTION	DATE	DWN	APVD
A		REVISED PER ECO-20-017096	04DEC2020	AB	DW

- PART NUMBER 2378043-1 AS SHOWN ON DRAWING.
-  MATERIAL: PBT, 15% GLASS FILLED.
COLOR: SEE TABLE
- NOTE DELETED.
-  SEAL SURFACE IN THIS AREA.



ISO VIEW
SCALE 3:1

NATURAL	CAVITY PLUG, MAT SEAL, 2.8 APEX FEMALE	2378043-1
COLOR	DESCRIPTION	PART NO

THIS DRAWING IS A CONTROLLED DOCUMENT.		DWN A. BETGAR 03AUG2020	 TE Connectivity	
DIMENSIONS: mm		CHK D. WISSLER 04AUG2020		
TOLERANCES UNLESS OTHERWISE SPECIFIED:		APVD D. BROWN 05AUG2020	NAME CAVITY PLUG, MAT SEAL, 2.8 APEX FEMALE	
0 PLC	±	PRODUCT SPEC	-	
1 PLC	±0.4	APPLICATION SPEC	-	
2 PLC	±0.20	WEIGHT	-	
3 PLC	±	SCALE	5:1	
4 PLC	±	SHEET	1 OF 1	
ANGLES	±1°	REV	A	
FINISH	-	CUSTOMER DRAWING		