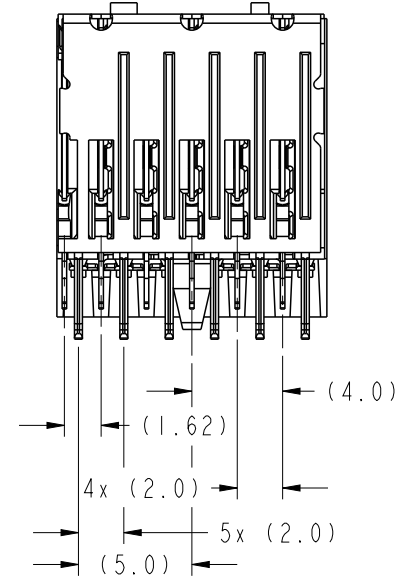
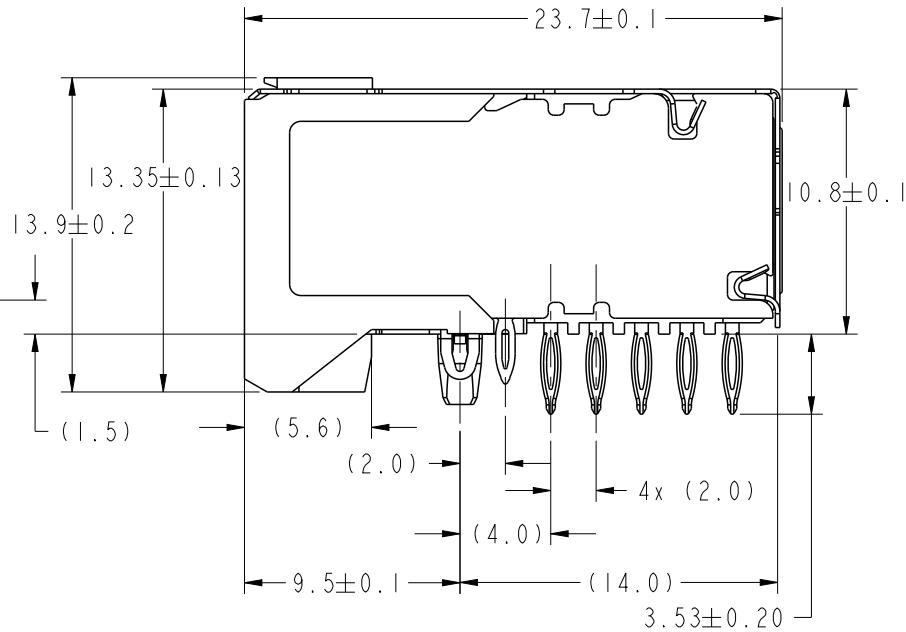
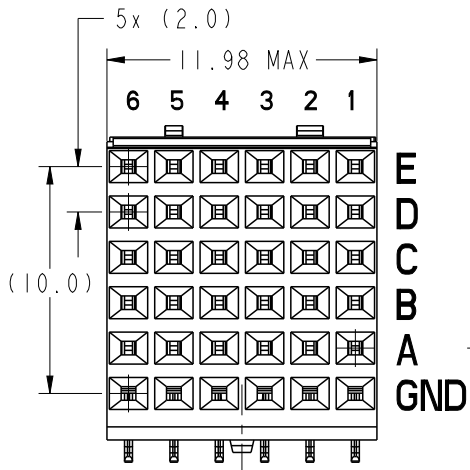


PRODUCT NUMBER

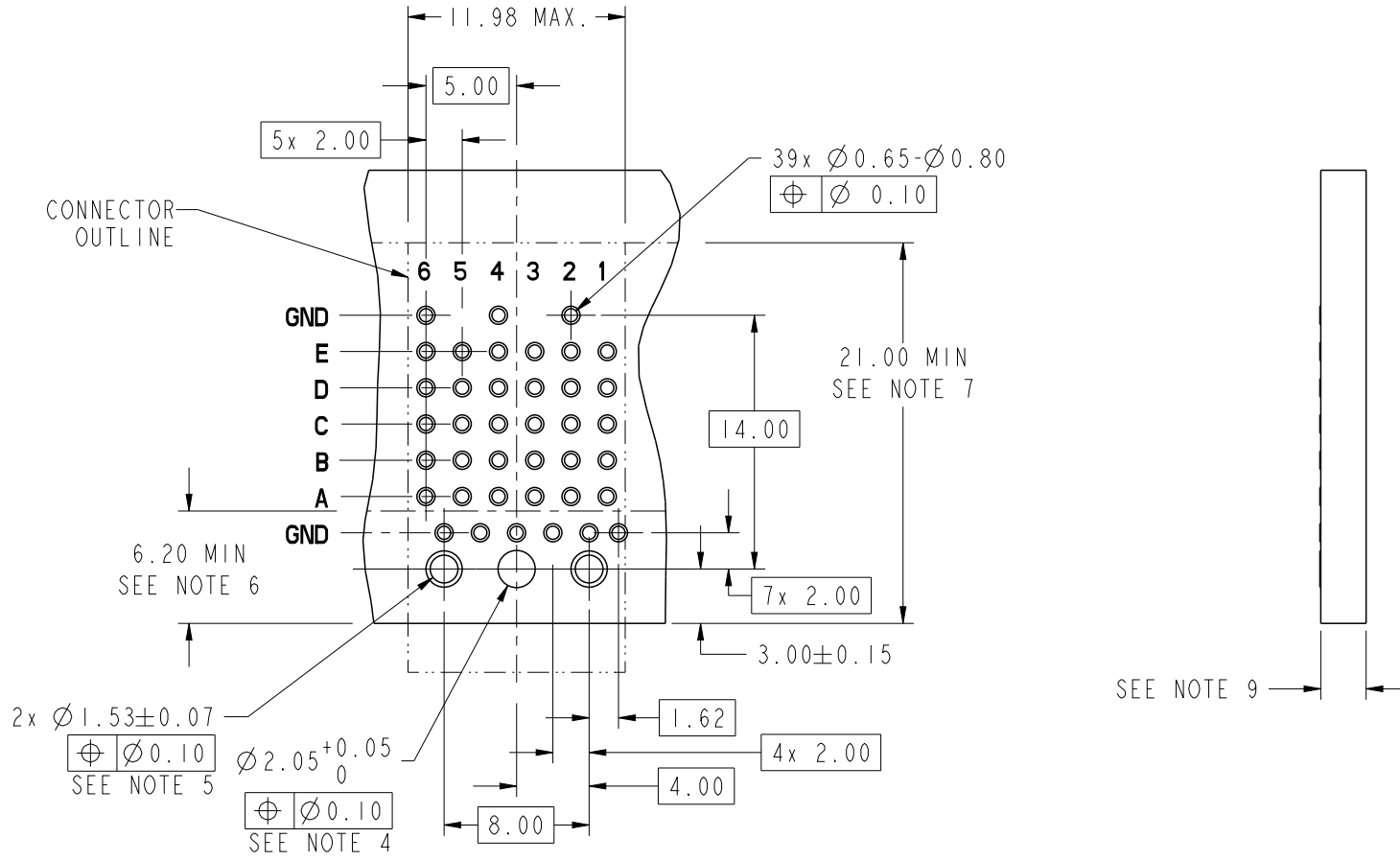
73981-X02LF



spec ref		-		dr	P-Mathew Nebu	2011/05/20	projection 	MM 	size	A4	scale	3:1			
tolerance std		TOLERANCES UNLESS OTHERWISE SPECIFIED		eng	Narayanan, Aru	2021/01/27			ecn no	ELX-I-39714-1					
ISO 406 ISO 1101				chr	-	-			rel level	Released					
surface		linear	0.X	±0.3	Amphenol FCI www.fci.com	product family		METRAL 1000		title	RIGHT ANGLE SIGNAL RECEPT. 5 ROW, 30 POSITION	dwg no	73981	rev	AH
ISO 1302			0.XX	±0.10		Product - Customer Drw		sheet 1 of 4							
		angular	0°	±2°		cat. no.									

Creo F:14:ELX-FCI-AC, REV F, 2020-12-21

PRODUCT NO.  
SEE SHEET 1









RECOMMENDED PCB HOLE  
PATTERN-COMPONENT SIDE  
FOR PTH REFER DRAWING 58351

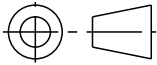
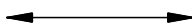

spec ref		-		dr	P-Mathew Nebu	2011/05/20	projection 	MM 	size	A4	scale	1:1
tolerance std		TOLERANCES UNLESS OTHERWISE SPECIFIED		eng	Narayanan, Aru	2021/01/27			ecn no	ELX-I-39714-1		
ISO 406 ISO 1101				chr	-	-			rel level	Released		
surface		linear	0.X	±0.3	Amphenol FCI	product family		METRAL 1000		rev	73981	AH
ISO 1302			0.XX	±0.10		RIGHT ANGLE SIGNAL RECEPT.		dwg no				
		angular	0°	±2°	www.fci.com	cat. no.		Product - Customer Drw		sheet 2 of 4		

Creo F-114-ELX-MC-AAC, REV F, 2020-12-21

NOTES

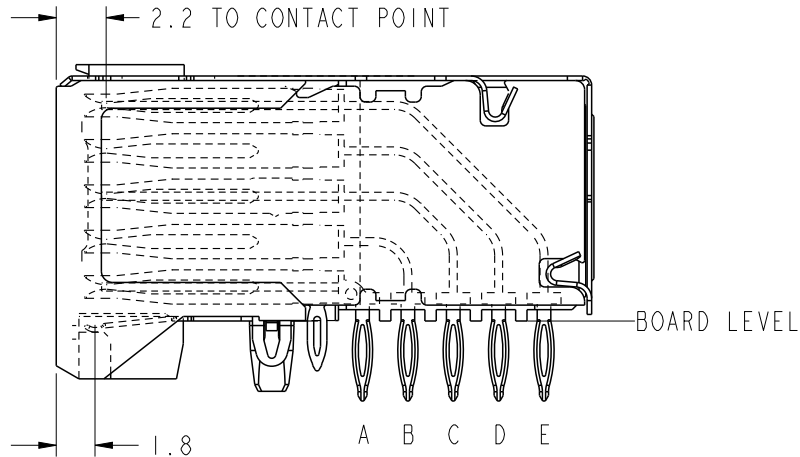
1. UNLESS OTHERWISE SPECIFIED ALL DIMENSIONS AND TOLERANCES ARE IN ACCORDANCE WITH ISO406/ISO1101 AS SPECIFIED IN THE TITLE BLOCK.
2. MATERIAL : BODY : THERMOPLASTIC UL94-V0.   
: CONTACT : COPPER ALLOY.
3. FOR PLATING PERFORMANCE REFER DRAWING # 10159408. 
4. Ø2.05 HOLE IS UNPLATED
5. Ø1.53 PLATED HOLES (2X) ARE FOR GROUNDS
6. AVOID TRACES IN THIS AREA ON TOP OF PCB DUE TO EXPOSED GROUND SHIELD
7. COMPONENT KEEP OUT ZONE FOR PRESS BLOCK CLEARANCE.
8. SEE GS-20-017 FOR APPLICATION OF CONNECTORTO PCB.
9. PCB THICKNESS RANGE: 1.3mm TO 2.5mm
10. SEE PRODUCT SPECIFICATION GS-12-110 FOR PRODUCT PERFORMANCE CHARACTERISTICS.
11. THE PRODUCTS MEET EUROPEAN DIRECTIVES AND OTHER COUNTRY REGULATIONS AS DESCRIBED IN GS-47-0004. 
12. ALL PRODUCTS WILL WITHSTAND EXPOSURE TO 260° FOR 60 SECONDS IN A CONVECTION, INFRA-RED OR VAPOR PHASE REFLOW OVEN.
13. A  SYMBOL WILL BE NEXT TO ANY DIMENSION , VIEW, OR NOTE WHICH HAS BEEN MODIFIED WITH THE CURRENT DRAWING REVISION.
14. 73981-XYLFF.  

 'X' REFER DRAWING # 10159408. 

spec ref		-		dr	P-Mathew Nebu	2011/05/20	projection 	MM 	size	A4	scale	3:1	
tolerance std		TOLERANCES UNLESS OTHERWISE SPECIFIED		eng	Narayanan, Aru	2021/01/27			ecn no	ELX-I-39714-1			
ISO 406 ISO 1101				chr	-	-			rel level	Released			
surface 	linear	0.X	±0.3	Amphenol FCI	title RIGHT ANGLE SIGNAL RECEPT. 5 ROW, 30 POSITION			dwg no	73981		rev	AH	
		0.XX	±0.10										
		0.XXX	±0.050										
ISO 1302	angular	0°	±2°	www.fci.com	cat. no.	Product - Customer Drw			sheet 3 of 4				

PRODUCT NUMBER  
SEE SHEET 1

DISTANCE FROM CONTACT POINT TO BOARD	
CONTACT	DISTANCE
A	12.5
B	16.2
C	19.5
D	22.3
E	25.2



CONTACT POINT AND SKEW

spec ref		-		dr	P-Mathew Nebu	2011/05/20	projection 	MM 	size	A4	scale	3:1	
tolerance std	TOLERANCES UNLESS OTHERWISE SPECIFIED			eng	Narayanan, Aru	2021/01/27			ecn no	ELX-I-39714-1			
	ISO 406			chr	-	-			product family	METRAL 1000			
ISO 1101				appr	Kuriakose, San	2021/01/27	rel level	Released					
surface		linear	0.X	±0.3	<b>Amphenol FCi</b>	title	RIGHT ANGLE SIGNAL RECEPT.		dwg no	73981		rev	AH
			0.XX	±0.10			5 ROW, 30 POSITION						
0.XXX	±0.050			cat. no.			Product - Customer Drw						
ISO 1302		angular	0°	±2°	www.fci.com								