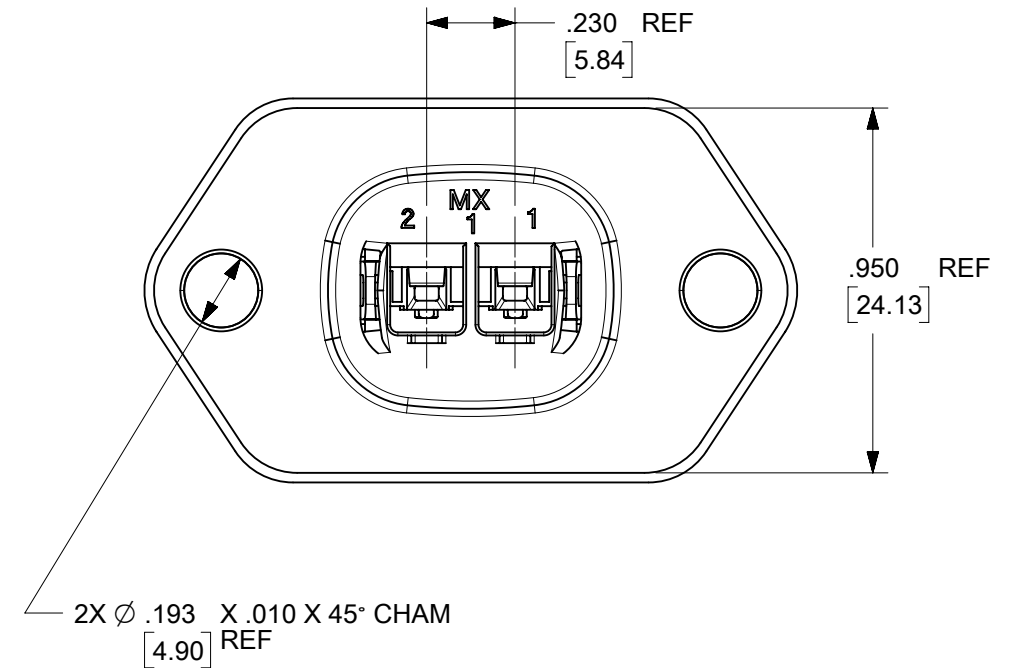
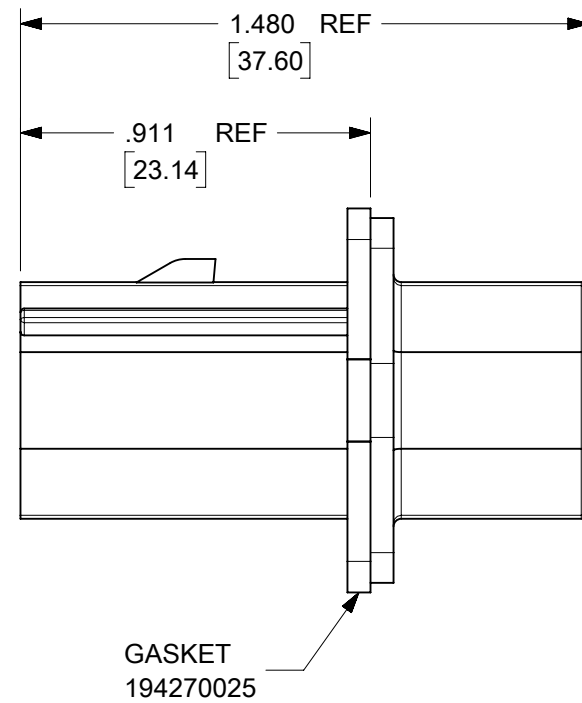
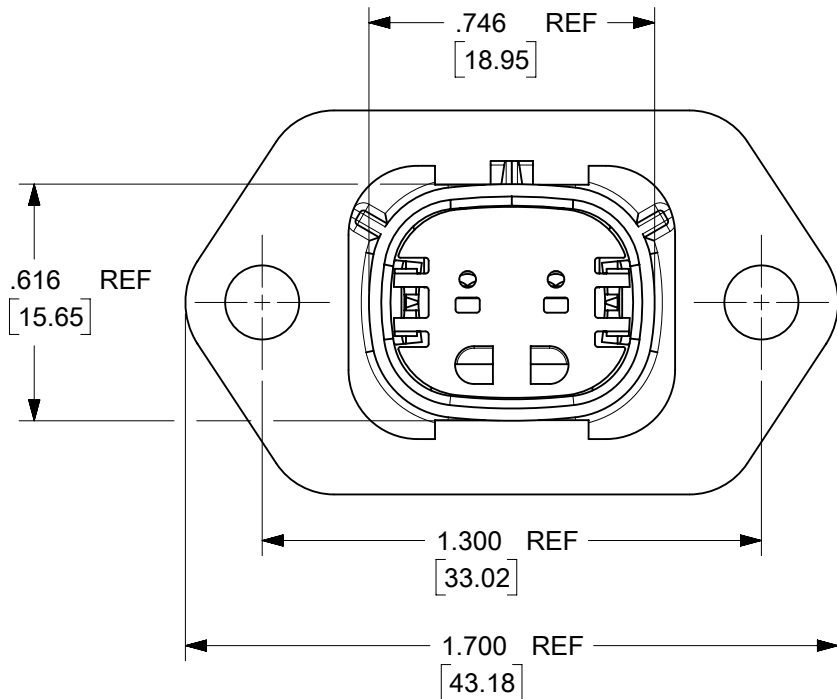


ASSEMBLED VIEW
SCALE 1:1

RECOMMENDED PANEL
MOUNT OPENING
MAX PANEL THK .080/2.03



194290041	YES
194290026	NO
MATERIAL NUMBER	GASKET

- NOTES:
- MATERIALS: HOUSING: SYNDIOTACTIC POLYSTYRENE (SPS), GLASS FILLED, UL94 V-0,COLOR: BLACK
GASKET: EPDM RUBBER
 - PRODUCT SPECIFICATION: PS-19417-001.
 - PACKAGING SPECIFICATION: PK-19429-001.
GASKETS, IF REQUIRED FOR THE ASSEMBLIES,ARE BULK PACKAGED IN A SEPARATE BAG.
 - MATES WITH: 19418 SERIES RECEPTACLE ASSEMBLIES.
 - USE CONNECTOR WITH MALE CRIMP TERMINAL: SERIES 19417.
 - RECOMMENDED MOUNTING HARDWARE: (2)#10 X .62/15.8 LONG PLASTIC THREAD CUTTING SCREWS. RECOMMENDED TORQUE 15-17 IN-LBS.
SUGGESTED SOURCE: ITW SHAKEPROOF INDUSTRIAL BOSSCREW OR EQUIVALENT.
 - ASSEMBLY IS ROHS COMPLIANT.

THIS DRAWING CONTAINS INFORMATION THAT IS PROPRIETARY TO MOLEX ELECTRONIC TECHNOLOGIES, LLC AND SHOULD NOT BE USED WITHOUT WRITTEN PERMISSION											
FUNCTIONAL SYMBOLS	FA = 0	in/[mm]	SCALE	2:1	CURRENT REV DESC: REDRAWN IN NX & HSG MATERIAL UPDATED						
	FE = 0	GENERAL TOLERANCES (UNLESS SPECIFIED)			EC NO: 690910						
DIVISIONAL SYMBOLS	EF = 0		MM	INCH	DRWN: RMV02 2021/12/21						
		4 PLACES	±	±	CHK'D: DMYRICK 2022/01/05						
		3 PLACES	±	± 0.015	APPR: JMACNEIL 2022/01/06						
		2 PLACES	± 0.38	±	INITIAL REVISION:						
	1 PLACE	±	±	DRWN: DMYRICK 2004/07/15							
	0 PLACES	±	±	APPR: RDEROSS 2004/07/15							
	ANGULAR TOL	± 1.0°	THIRD ANGLE PROJECTION								
DRAFT WHERE APPLICABLE MUST REMAIN WITHIN DIMENSIONS				DRAWING		B-SIZE	SERIES	19429	MATERIAL NUMBER	CUSTOMER	SHEET NUMBER
DOCUMENT STATUS		P1	RELEASE DATE	2022/01/06	14:54:33	SEE CHART	GENERAL MARKET	1 OF 1			

molex

2-WAY PLUG PANEL MOUNT
ASSEMBLY W/O BOSS 22-14 AWG

PRODUCT CUSTOMER DRAWING

DOCUMENT NUMBER: SD-19429-009
DOC TYPE: PSD
DOC PART: 001
REVISION: C