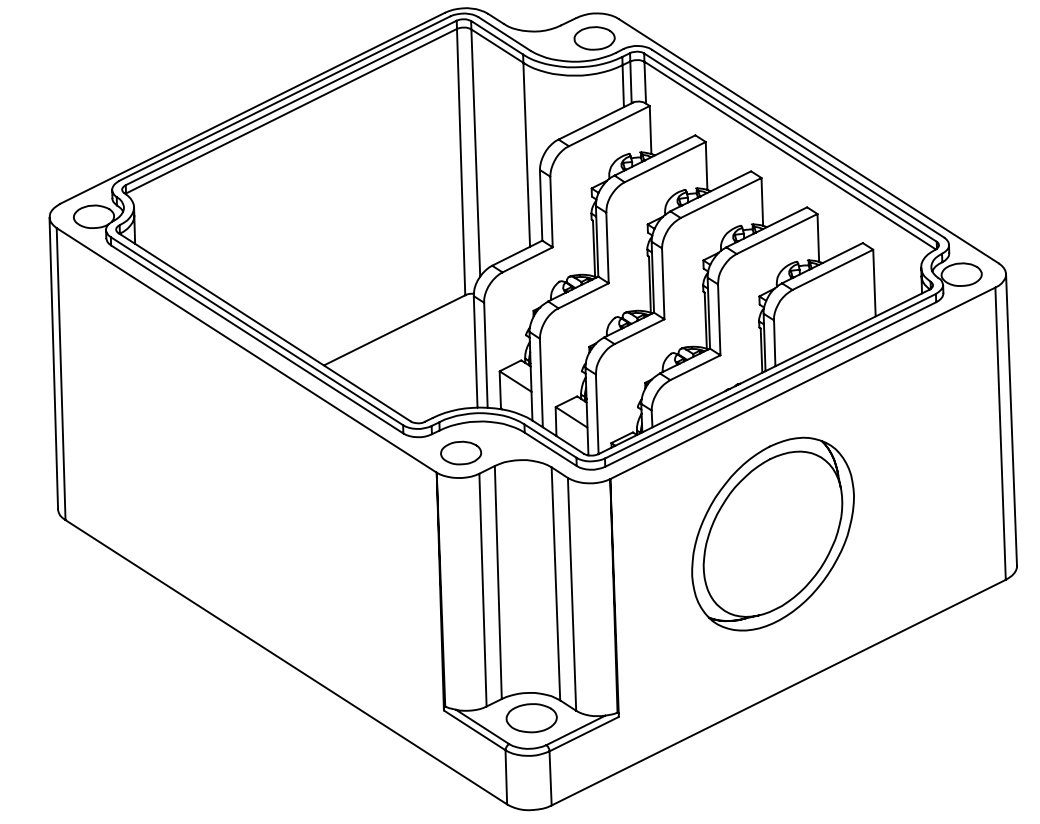
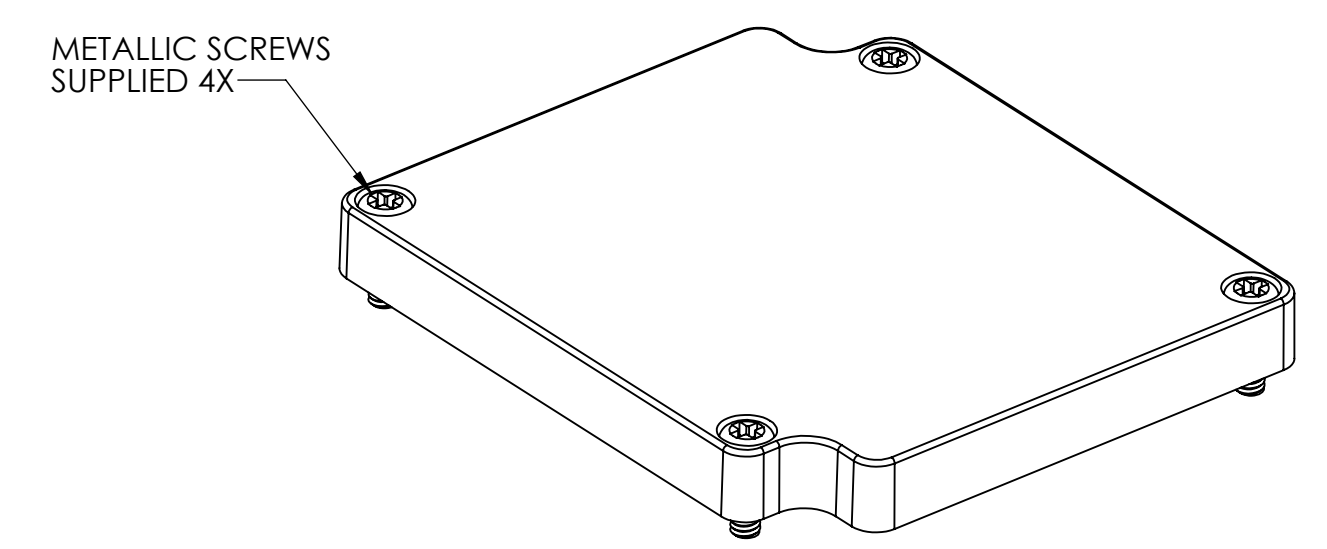
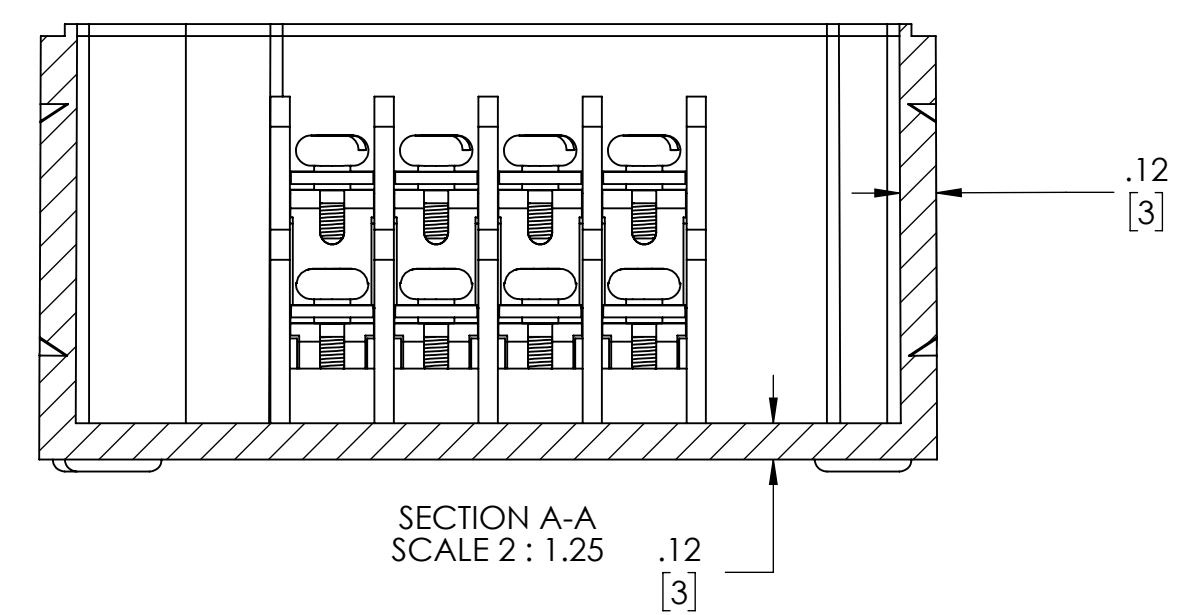
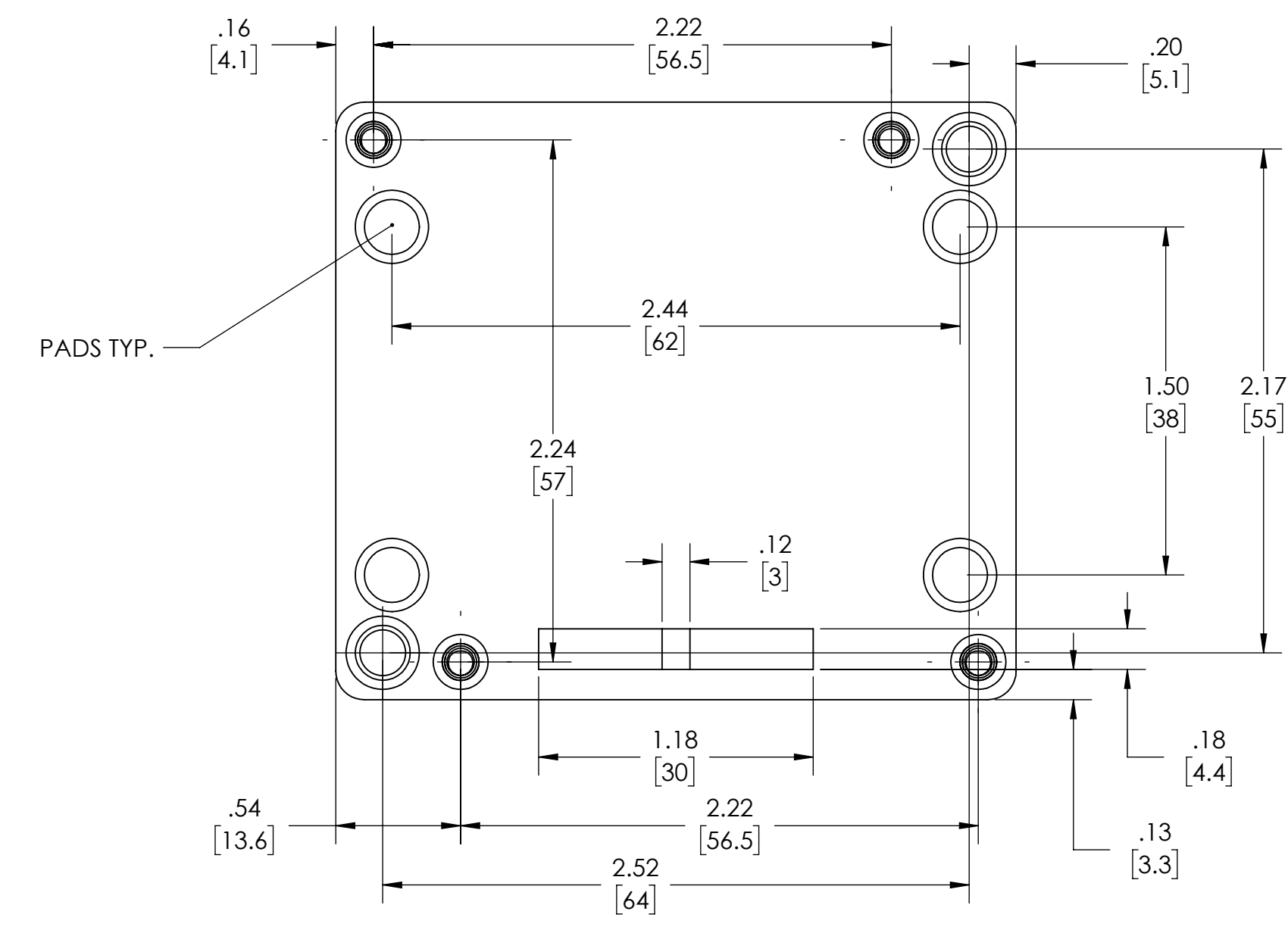
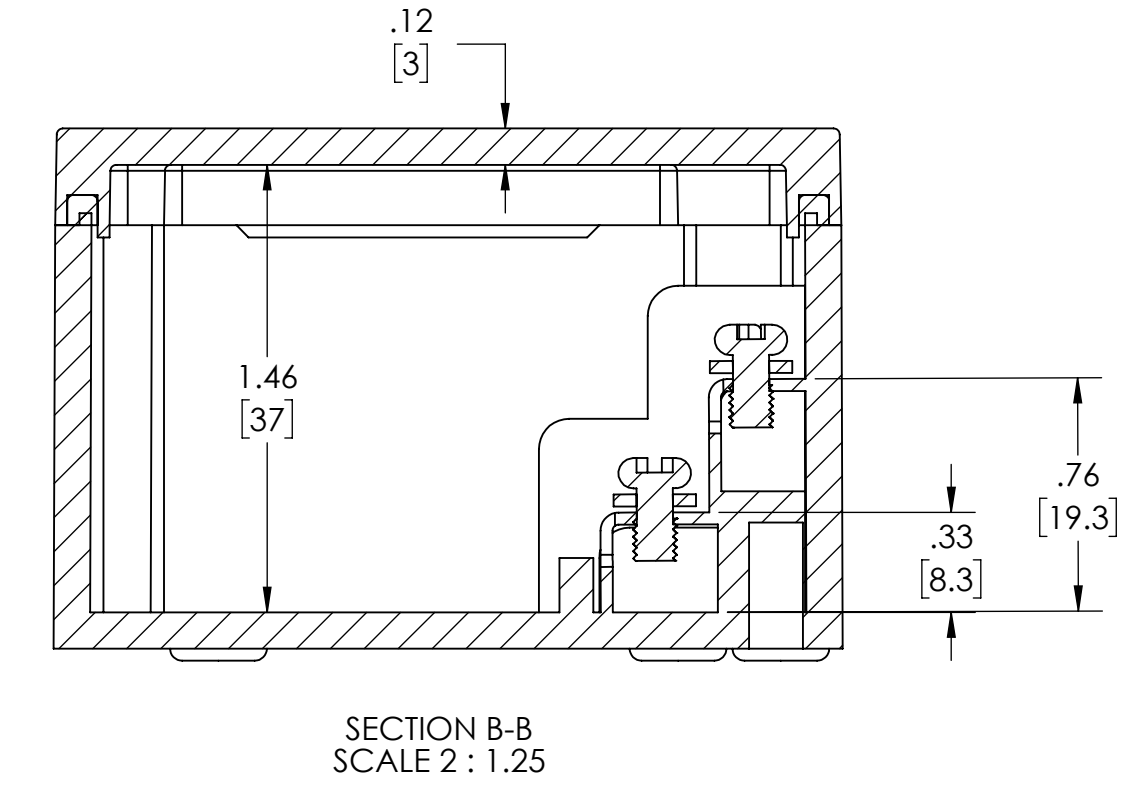
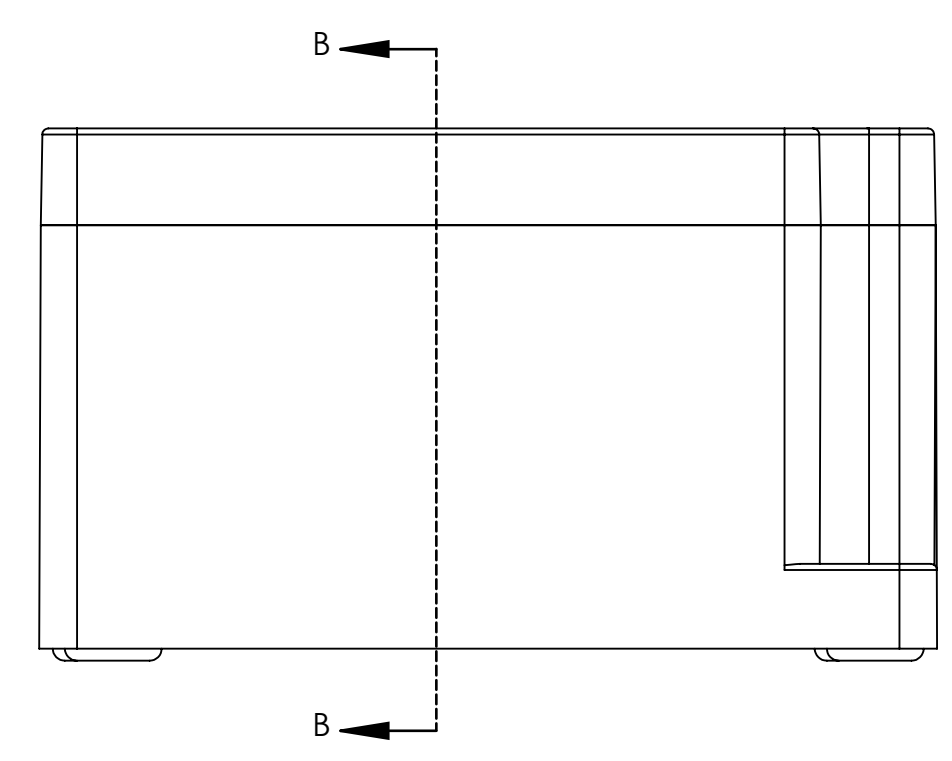
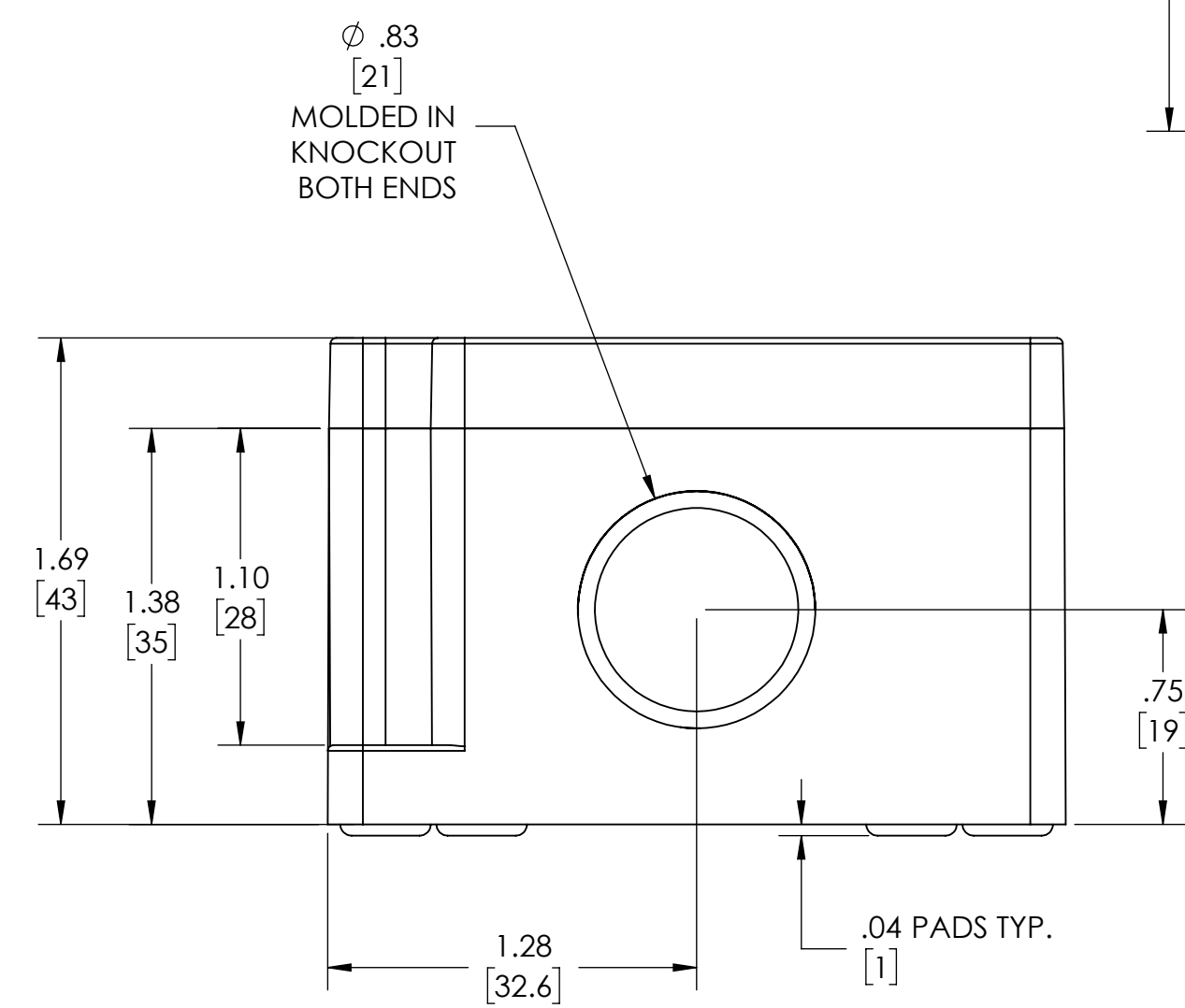
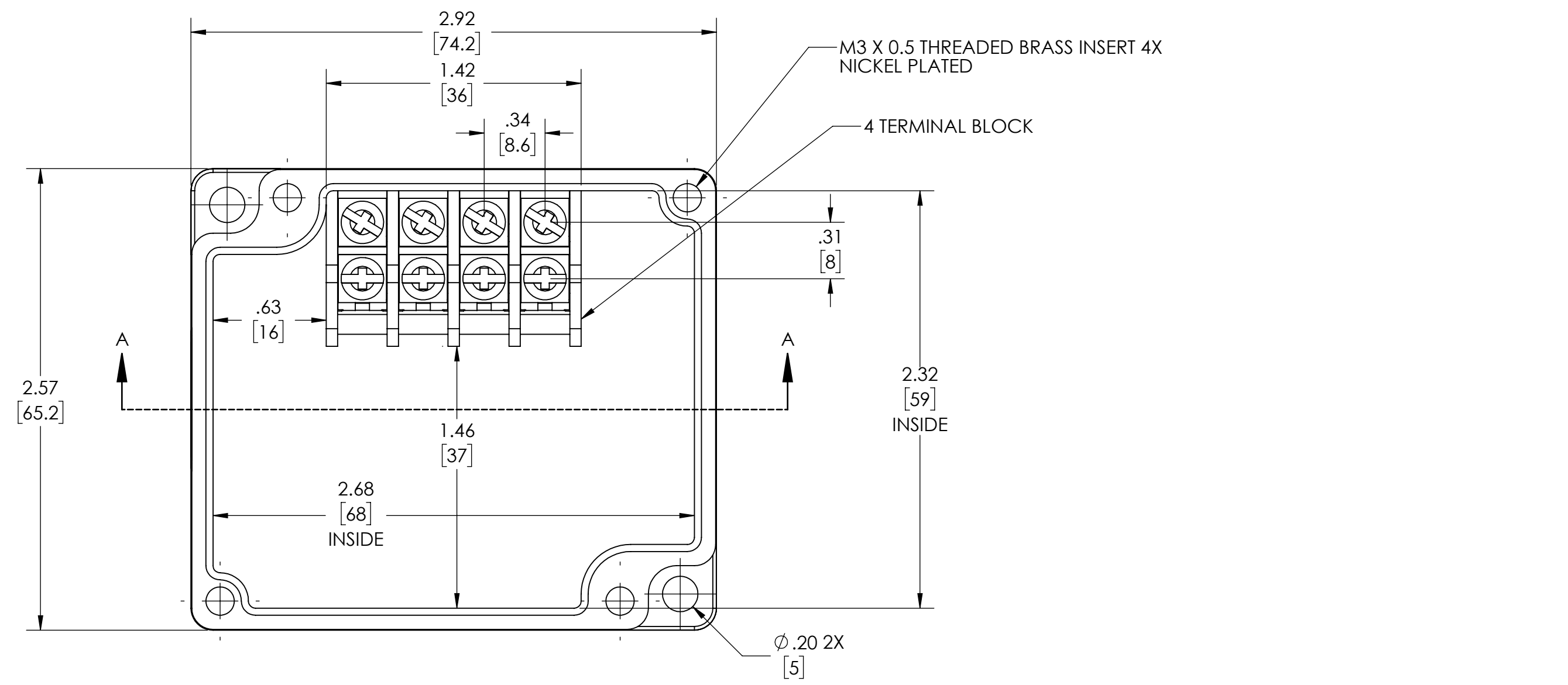


**DRAWING FOR REFERENCE**  
 WE RESERVE THE RIGHT TO MAKE CHANGES TO OUR  
 STANDARD PRODUCTS. PLEASE CONSULT WITH BUD INDUSTRIES  
 PRIOR TO USING THIS DRAWING FOR DESIGN PURPOSE.



- NOTES:
- 1- MATERIAL: BODY - GRAY ABS UL94 V-0  
COVER - GRAY ABS OR CLEAR (-C SUFFIX) POLYCARBONATE
  - 2- HIGH IMPACT RESISTANCE IK 07/08
  - 3- TUV RATING IP66/67
  - 4- CONTINUOUS Poured GASKET IN COVER
  - 5- COVER ATTACHES WITH STAINLESS STEEL M3 X 0.5 SCREWS SUPPLIED
  - 6- TEMPERATURE RANGE -40° ~ +70° F.
  - 7- TERMINAL FEATURES:  
SURFACE TREATED STEEL TERMINAL SCREWS  
RATED INSULATION VOLTAGE 400V  
RATED IMPULSE VOLTAGE 4KV  
RATED CURRENT CAPACITY .75mm<sup>2</sup> - 1.5mm<sup>2</sup>
  - 8- DIMENSIONS ARE INCH [MM]
  - 9- OPTIONAL EXTERNAL MOUNTING BRACKETS NOT INCLUDED,  
PART NUMBERS NBX-10922 & PIX-4117

