

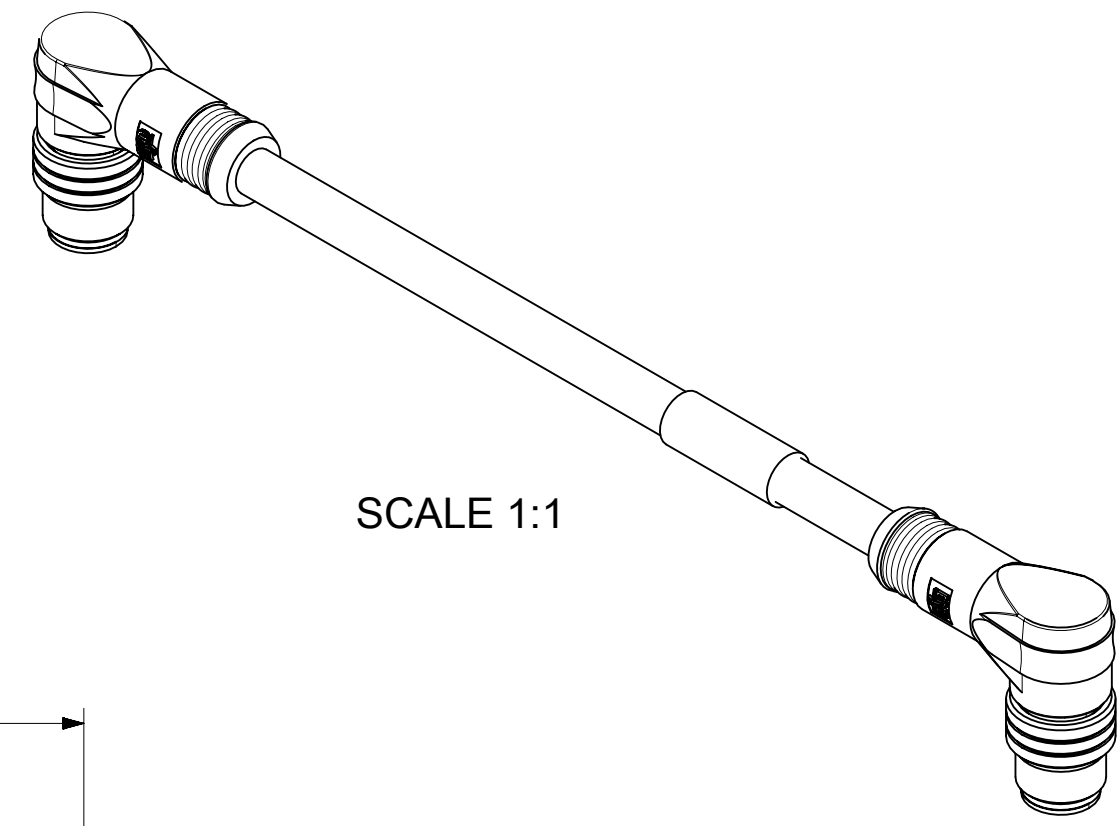
| MATERIAL NO. | ENGINEERING NO. | FINISHED LENGTH   |
|--------------|-----------------|-------------------|
| 1201088005   | E11A06302M010   | 3FT 3.4IN (1M)    |
| 1201080132   | E11A06302M420   | 137FT 9.5IN (42M) |
| 1201080014   | E11A06302M900   | 295FT 3.3IN (90M) |

PART NO. MATRIX  
E11A06302M010

FINISHED LENGTH  
M005= 0.5 METER  
M010= 1 METER  
M100= 10 METER

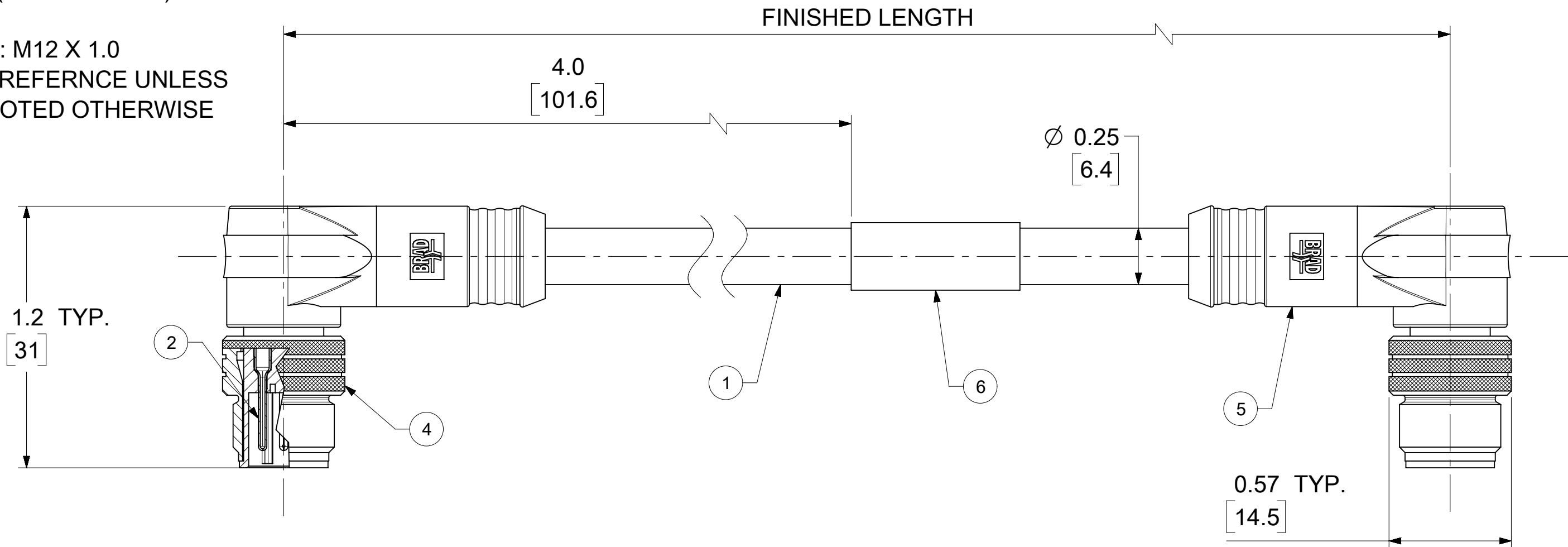
CABLE LENGTH TOLERANCES

|                          |                         |
|--------------------------|-------------------------|
| <.3M [1FT]:              | +19mm-0 [ +.75in-0]     |
| .3 - .9M [1 - 3FT]:      | +44.5mm-0 [+1.75in-0]   |
| .9 - 1.8M [3 - 6FT]:     | +55.6mm-0 [+2.19in-0]   |
| 1.8 - 3.7M [6 - 12FT]:   | +88.9mm-0 [+3.50in-0]   |
| 3.7 - 7.3M [12 - 24FT]:  | +165.1mm-0 [+6.50in-0]  |
| 7.3-14.6M [24 - 48FT]:   | +317.5mm-0 [+12.50in-0] |
| 14.6 - 30.5M [48-100FT]: | +622.3mm-0 [+24.50in-0] |
| OVER 30M [100FT]         | +2% OF FINISHED LENGTH  |



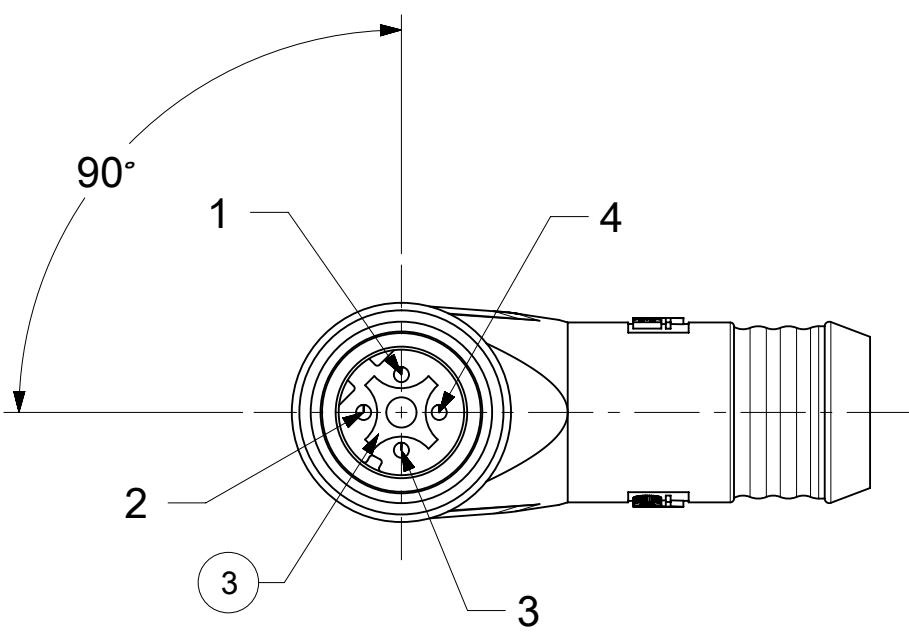
SCALE 1:1

- NOTES:
1. MATERIAL: AS NOTED
  2. FINISH: AS NOTED
  3. ELECTRICAL SPECIFICATIONS  
VOLTAGE RATING: 125V  
CURRENT RATING: 1.5A
  4. TEMP RANGE: -25°C TO +75°C
  5. PROTECTION: IP67 (WHEN MATED)
  6. UL FILE: E361772
  7. COUPLING THREAD: M12 X 1.0
  8. ALL DIMS ARE FOR REFERENCE UNLESS TOLERANCED OR NOTED OTHERWISE

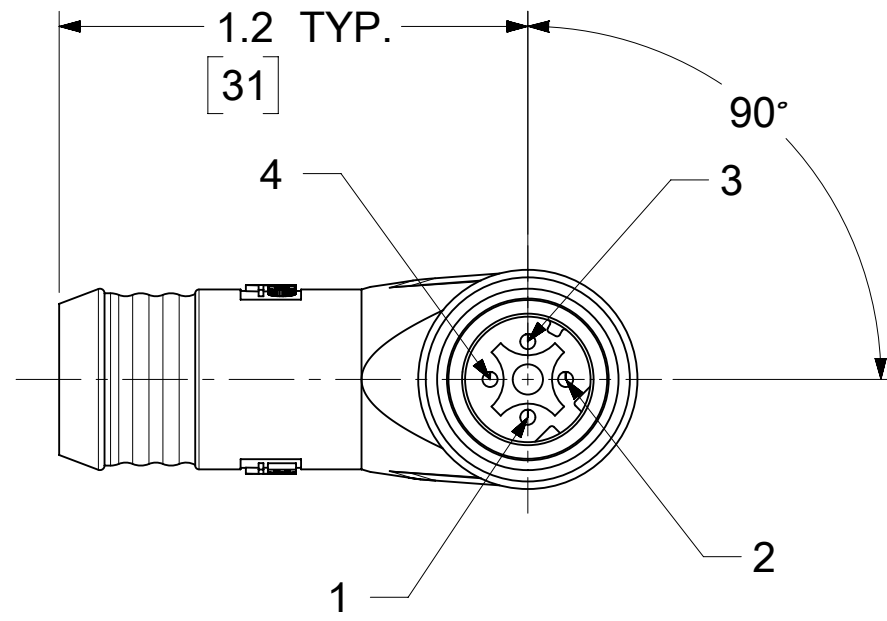


WIRING DIAGRAM

| MALE |              | MALE |
|------|--------------|------|
| 1    | ORANGE       | 1    |
| 2    | BLUE         | 2    |
| 3    | ORANGE-WHITE | 3    |
| 4    | BLUE-WHITE   | 4    |



MALE FACE VIEW



MALE FACE VIEW

| ITEM | DESCRIPTION               | MATERIAL     | FINISH      |
|------|---------------------------|--------------|-------------|
| 6    | LABEL                     | VINYL        | BLACK/WHITE |
| 5    | OVERMOLD                  | TPU          | BLACK       |
| 4    | COUPLING NUT M12 MALE     | BRASS        | NICKEL      |
| 3    | INSERT D-CODE 4 POLE MALE | PUR          | BLACK       |
| 2    | CONTACT PIN               | COPPER ALLOY | GOLD PLATED |
| 1    | CABLE, ETHERNET, 24-4     | PVC JACKET   | TEAL        |

|  |   |                        |                                   |            |          |
|--|---|------------------------|-----------------------------------|------------|----------|
| FUNCTIONAL SYMBOLS                                   | THIS DRAWING CONTAINS INFORMATION THAT IS PROPRIETARY TO MOLEX ELECTRONIC TECHNOLOGIES, LLC AND SHOULD NOT BE USED WITHOUT WRITTEN PERMISSION |                        | CURRENT REV DESC: INITIAL RELEASE |            |          |
|  | DIMENSION UNITS   | SCALE                  | EC NO: 648668                     |            |          |
|  | INCH/MM   | 2:1                    | DRWN: PDODDAMANEMY                | 2020/09/14 |          |
|  | GENERAL TOLERANCES (UNLESS SPECIFIED)   |                        | CHK'D: RSTONE                     | 2020/11/11 |          |
| DIVISIONAL SYMBOLS                                   | 4 PLACES  | ±                      | APPR: BWOODMAN                    | 2020/11/18 |          |
|  | 3 PLACES  | ±                      | INITIAL REVISION:                 |            |          |
|  | 2 PLACES  | ±                      | DRWN: NSTAUDIGEL                  | 2010/02/08 |          |
|  | 1 PLACE   | ±                      | APPR: fpacher                     | 2010/02/11 |          |
| DRAFT WHERE APPLICABLE MUST REMAIN WITHIN DIMENSIONS |   | THIRD ANGLE PROJECTION | DRAWING                           | SERIES     |          |
|  |   |                        | C-SIZE                            | 120108     |          |
| DOCUMENT STATUS                                      |   | RELEASE DATE           | DOC TYPE                          | DOC PART   | REVISION |
| P1   |   | 2020/11/18 23:03:26    | PSD                               | 001        | A        |
| DOCUMENT NUMBER                                      |   | CUSTOMER               | SHEET NUMBER                      |            |          |
| SD-120108-036  |   | GENERAL MARKET         | 1 OF 1                            |            |          |