

6

5

4

3

2

1

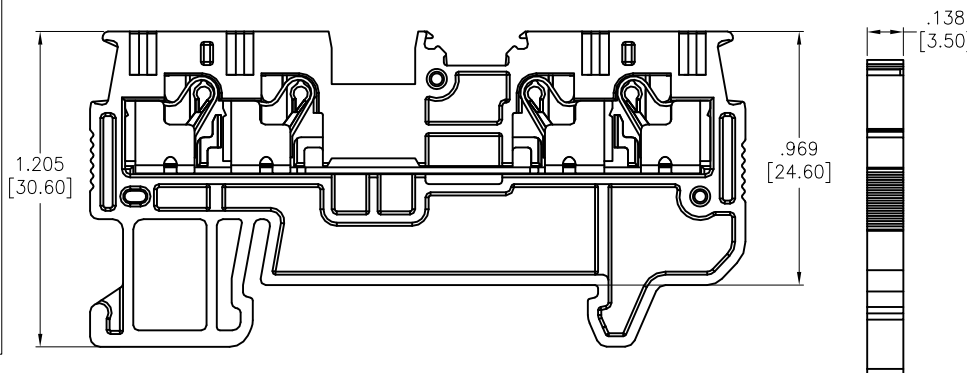
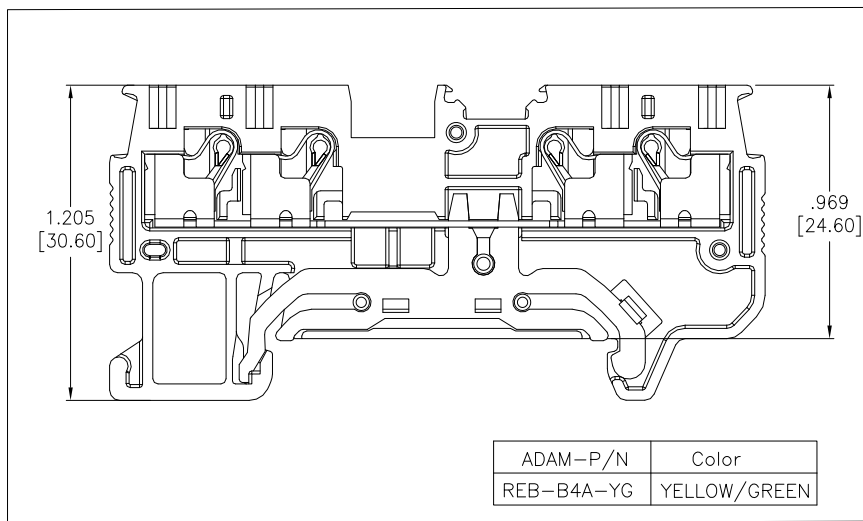
APPROVED: _____

DATE: _____ TITLE: _____

Rev	AWO #	Description	Date	Appr
-		RELEASED	10/7/22	

D

D



C

C

B

B

SPECIFICATIONS:

Material:

Insulator: PA66, rated UL 94V-0

Insulator Color: See Chart

Contacts: Copper Alloy, Tin Plated

Electrical:

Voltage rating: 300 VAC

Current rating: 15 Amp

Dielectric withstanding voltage: 1600 VAC for 1 minute

Mechanical:

Wire range : 26-14 #AWG

Flexible: 0.2-1.5

Stripping Length: 8-10

Temperature Rating:

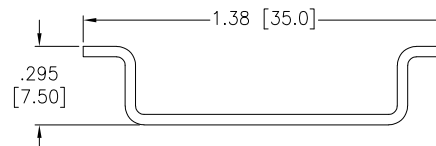
Operating temperature: -40°C to +105°C

Environmental:

Lead free, RoHS compliant.



RECOMMENDED RAIL SIZE
35.0mm X 7.5mm



ADAM-P/N	Color
REB-B4A-OR	ORANGE
REB-B4A-BU	BLUE
REB-B4A-GY	GRAY
REB-B4A-YG	YELLOW/GREEN

A

A

UNLESS OTHERWISE SPECIFIED ALL DIMENSIONS ARE INCHES [MM]. TOLERANCES: EXCEPT AS NOTED				909 Rahway Avenue, Union, NJ 07083							
<table border="1"> <thead> <tr> <th>INCHES</th> <th>HOLES</th> </tr> </thead> <tbody> <tr> <td>.X ± .10</td> <td>∅X ± .10</td> </tr> <tr> <td>.XX ± .020</td> <td>∅XX ± .015</td> </tr> <tr> <td>.XXX ± .015</td> <td>∅XXX ± .010</td> </tr> </tbody> </table>				INCHES	HOLES	.X ± .10	∅X ± .10	.XX ± .020	∅XX ± .015	.XXX ± .015	∅XXX ± .010
INCHES	HOLES										
.X ± .10	∅X ± .10										
.XX ± .020	∅XX ± .015										
.XXX ± .015	∅XXX ± .010										
DRAWN		JJ		10/7/22							
CHECKED		RC		10/7/22							
APPROVED											
THIS DRAWING CONTAINS INFORMATION THAT IS PROPRIETARY AND SHOULD NOT BE USED WITHOUT PRIOR WRITTEN PERMISSION FROM ADAM TECH											
TITLE		DIN RAIL TERMINAL BLOCKS, GUV 4 HOLE, 1.5 FLEXIBLE									
SIZE	PART NO.	REB-B4A-XX		REV.	A						
REF:	S00067C	SCALE:	NTS	SHEET 1 OF 1							

6

5

4

3

2

1