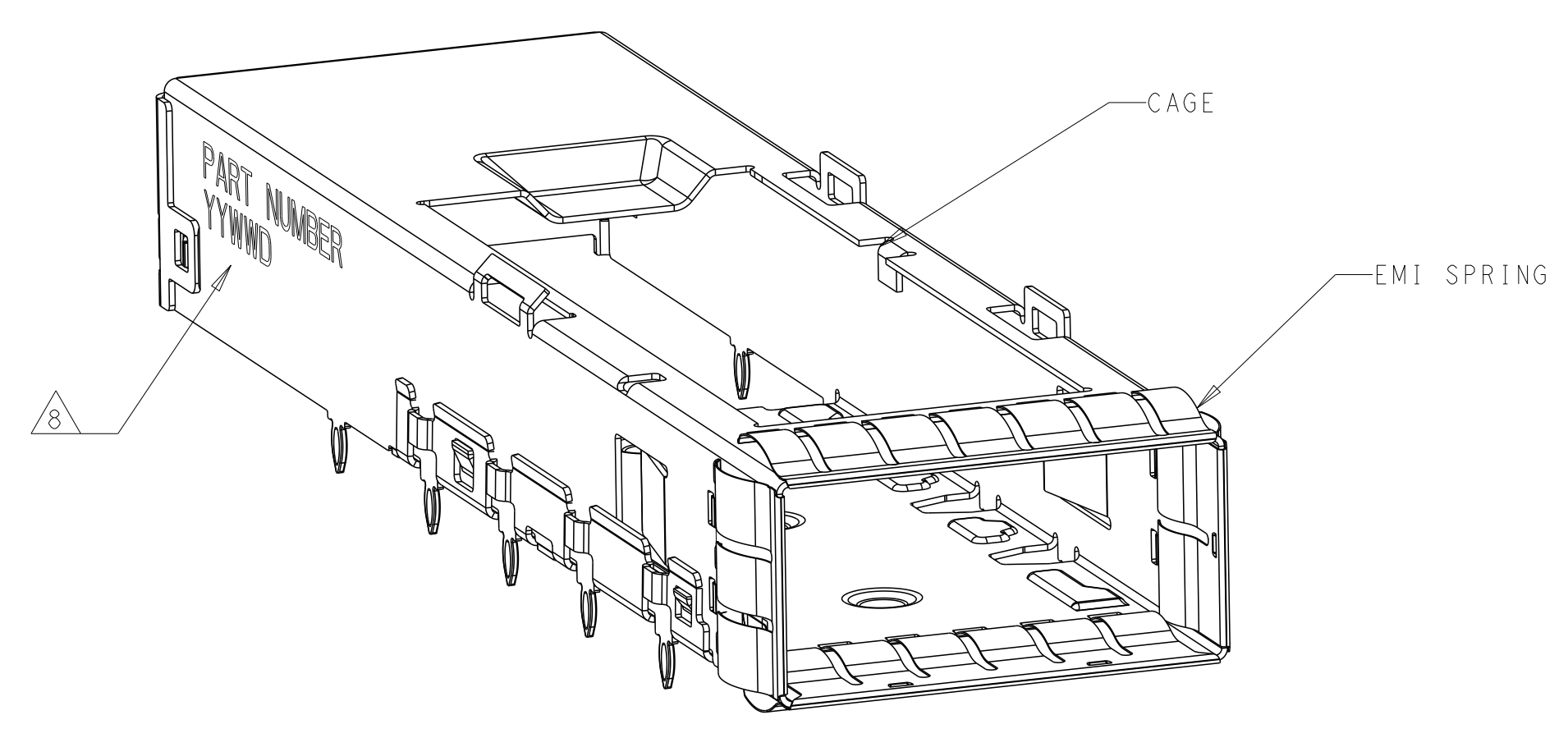
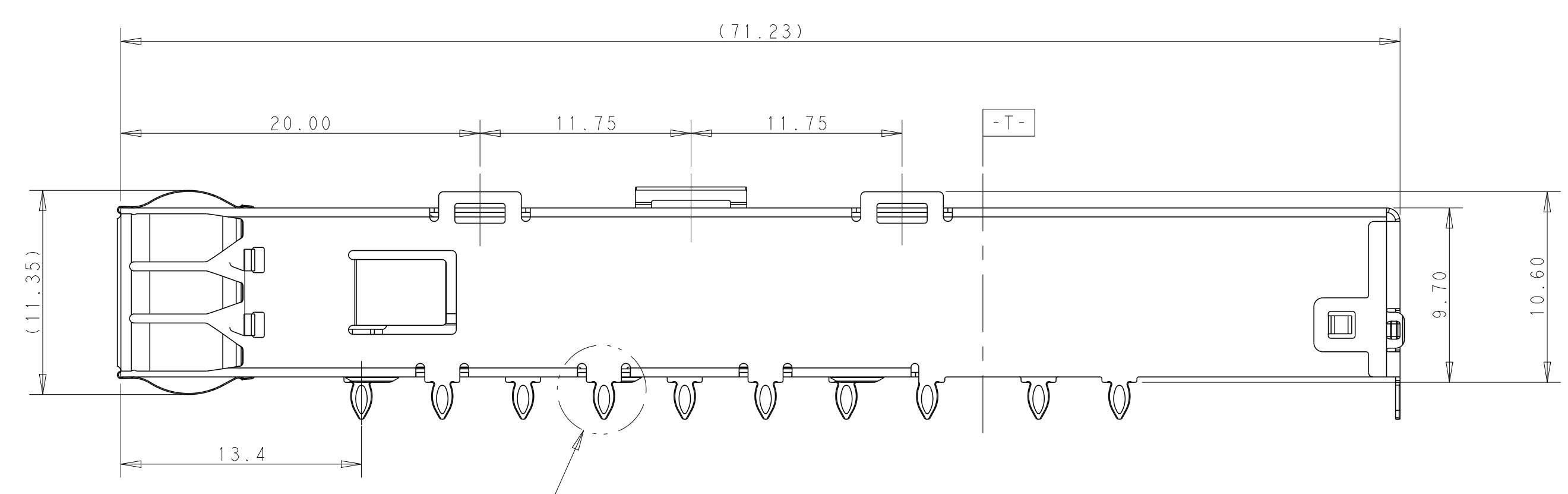
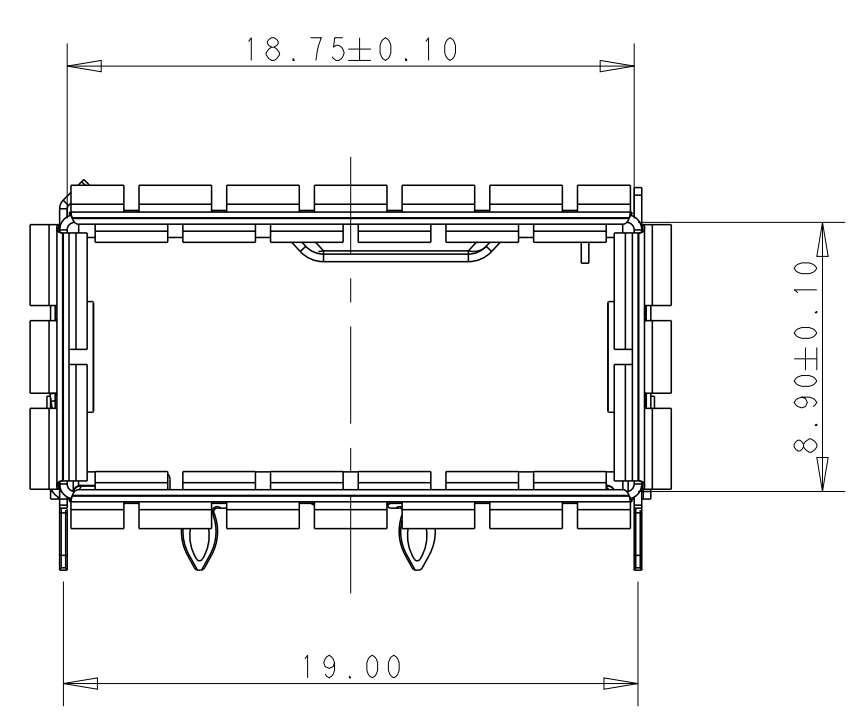
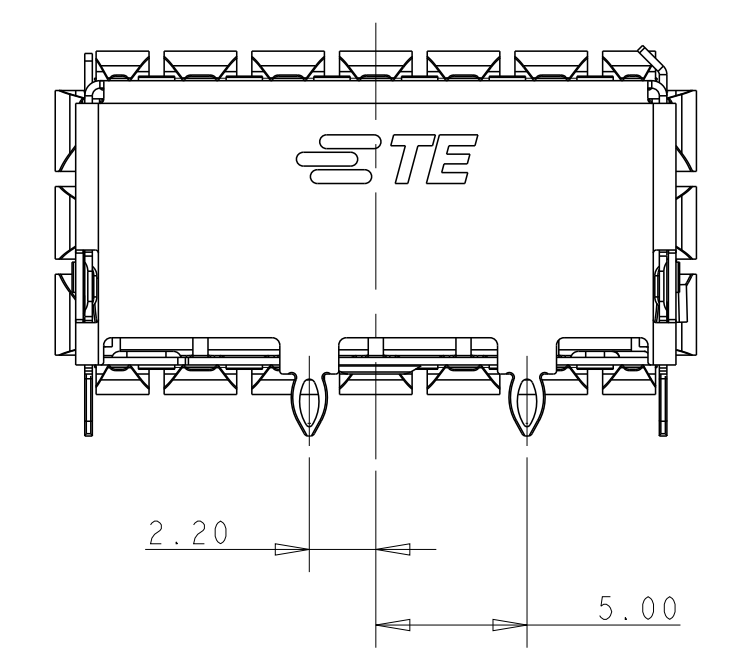
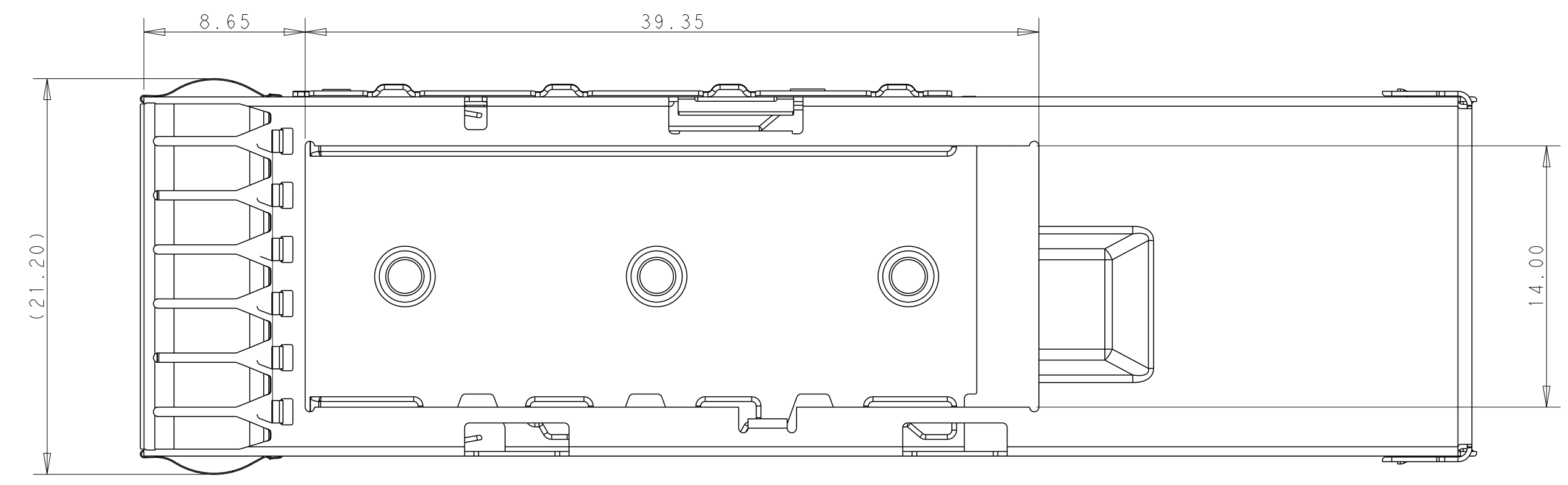


LOC		DIST		REVISIONS			
P	LTN	DESCRIPTION	DATE	DMN	APVD		
A2		REVISED TOLERANCE MISSING ISSUE	23APR2020	AJ	SH		
A3		ADDED NEW DASH 2-6. REMOVED 2-2	01JUN2020	AJ	SH		
A4		ADDED NEW DASH NUMBER 2-0	24DEC2020	AJ	SZ		
A5		REVISED PER ECN-22-148564	12APR2022	SH	SZ		

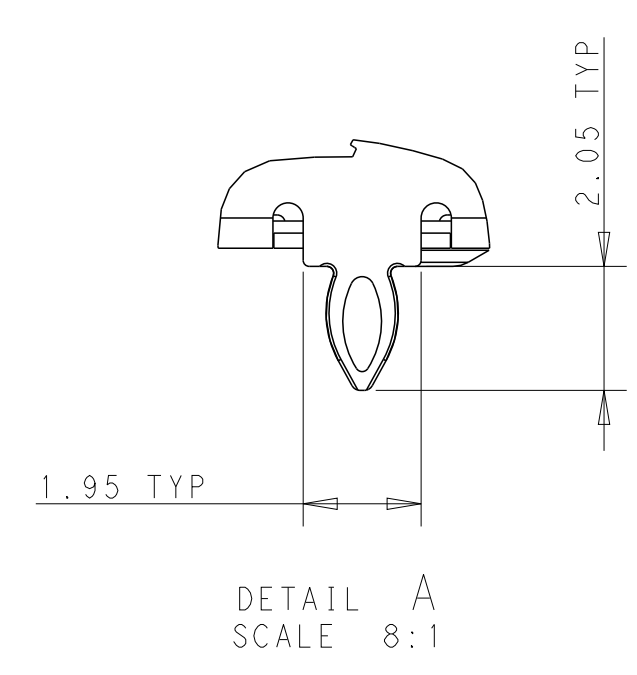


2324171-2 AS SHOWN
SCALE 4:1

1. MATERIAL:
CAGE MATERIAL : 0.25 THICK STAINLESS STEEL.
SPRING MATERIAL: COPPER ALLOY
2. FINISH:
SPRING: NICKEL PLATING
CONNECTOR EMI SPRING: TIN PLATING
3. DIMENSION APPLIES WITH MODULE INSTALLED IN THE CAGE TO TOP OF HEAT SINK.
4. REFERENCE APPLICATION SPEC 114-60025 FOR RECOMMENDED DRILL HOLE DIAMETER AND PLATING THICKNESS.
5. DATUM AND BASIC DIMENSIONS ESTABLISHED BY CUSTOMERS.
6. MINIMUM PC BOARD THICKNESS : SINGLES SIDED: 1.57 MIN
DOUBLE SIDED: 3.00 MIN
7. DATUM -A- IS TOP SURFACE OF THE HOST BOARD.
8. DATE CODE (YYWW) MARKED APPROXIMATELY AS SHOWN
9. MATES WITH QSFP DD MSA COMPATIBLE TRANSCEIVER.



2324171-2
SCALE 4:1



DETAIL A
SCALE 8:1

REMARK	# REAR PINS	PART NUMBER
CLOSED TOP	2	2324171-1
W/O TOP CLIP LATCH	0	2-2324171-0
CLOSED TOP	1	2-2324171-6
CLOSED TOP	0	2-2324171-5
CUST, W/O CLIP LATCH	2	2-2324171-4
CUST, W/O CLIP LATCH	1	1-2324171-0
STANDARD	1	2324171-8
STANDARD	0	2324171-7
STANDARD	2	2324171-2

THIS DRAWING IS A CONTROLLED DOCUMENT. DWG: ARTHUR JLN 24FEB2018
 CHK: SEAN HAN 24FEB2018
 APVD: SEAN HAN 24FEB2018

STE TE Connectivity

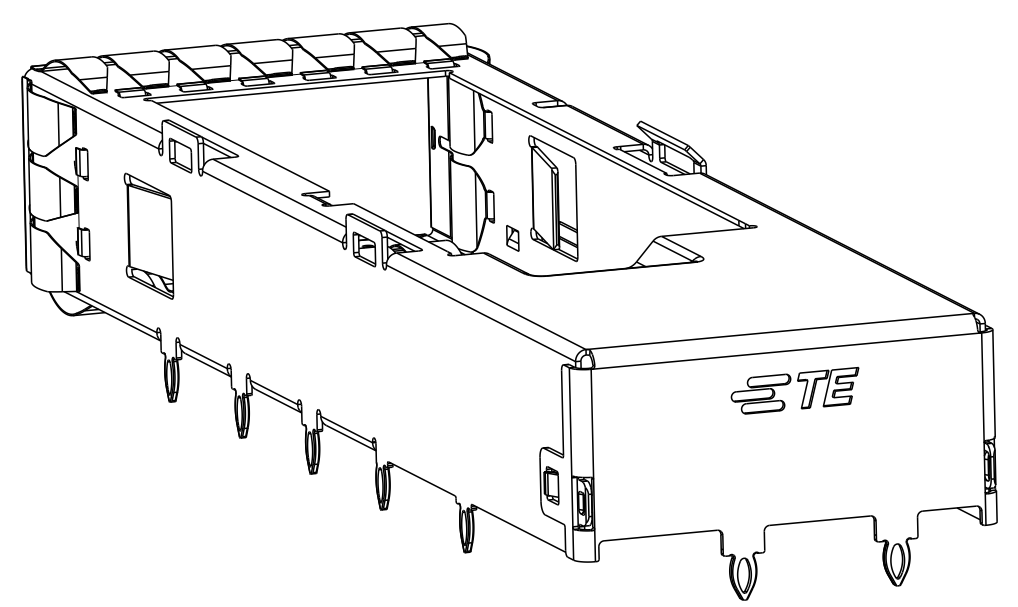
NAME: CAGE ASSEMBLY, QSFP-DD STANDARD 1X1, WITH EMI SPRING FINGER

PRODUCT SPEC: 108-60122
 APPLICATION SPEC: 114-60025

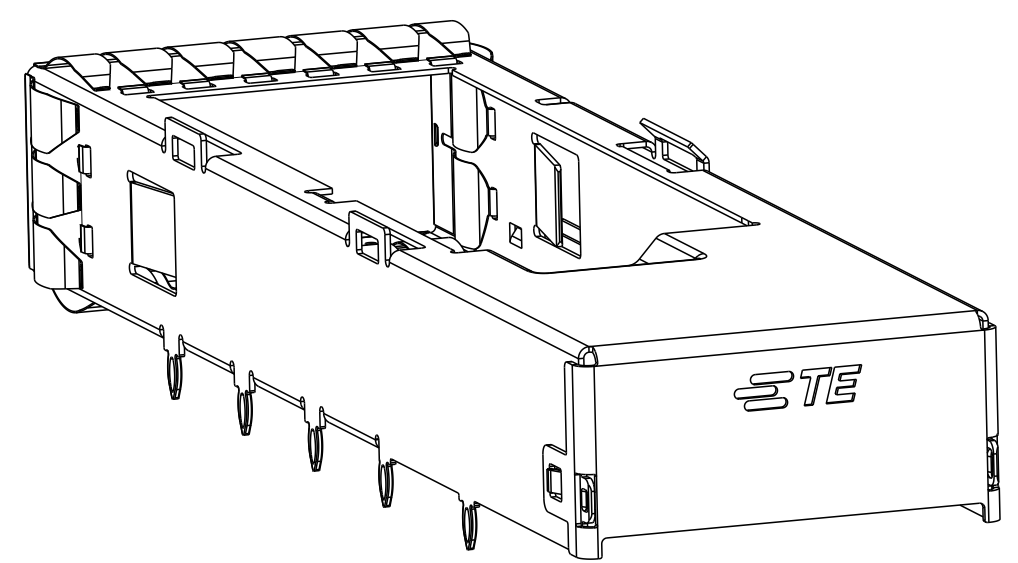
SIZE: A1 CAGE CODE: - DRAWING NO: C=2324171
 RESTRICTED TO: -

MATERIAL: - FINISH: - WEIGHT: -
 CUSTOMER DRAWING SCALE: 2:1 SHEET 1 OF 7 REV: A5

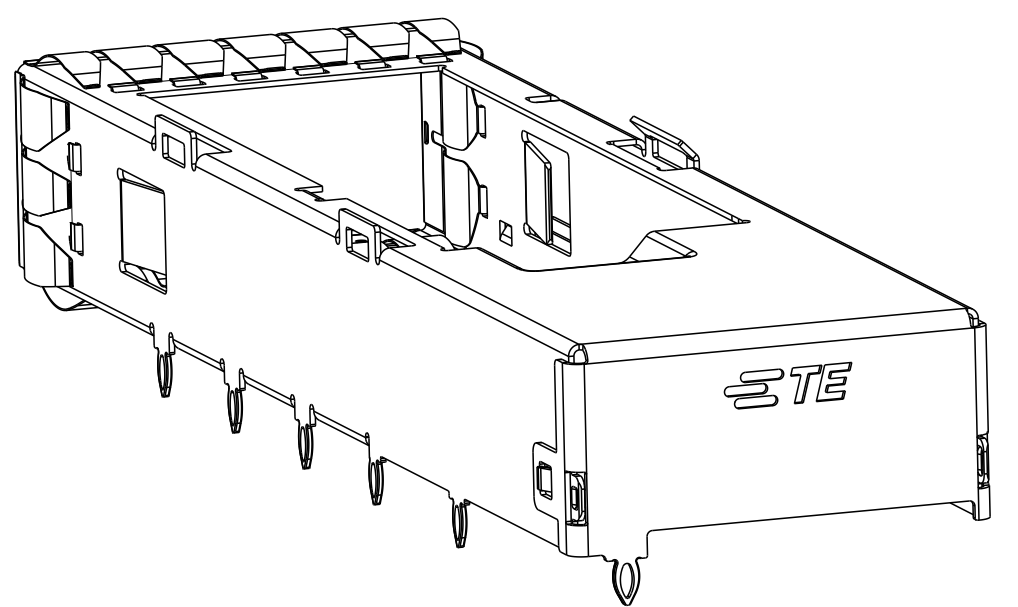
LOC		DIST		REVISIONS			
P	LTN	DESCRIPTION	DATE	OWN	APVD		
-	-	SEE SHEET 1	-	-	-		



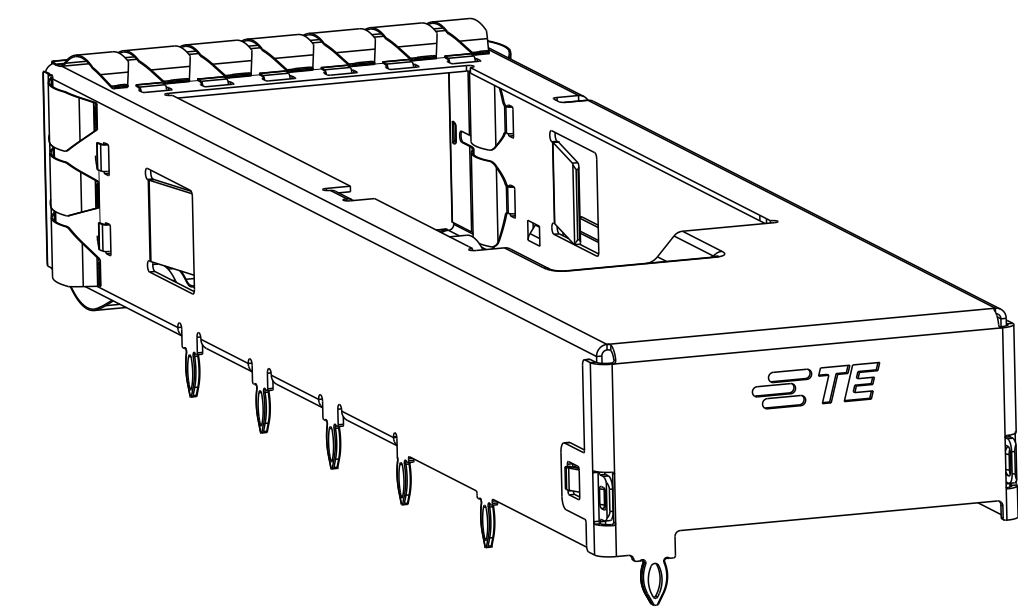
2324171-2 AS SHOWN
WITH 2 REAR PINS
SCALE 3:1



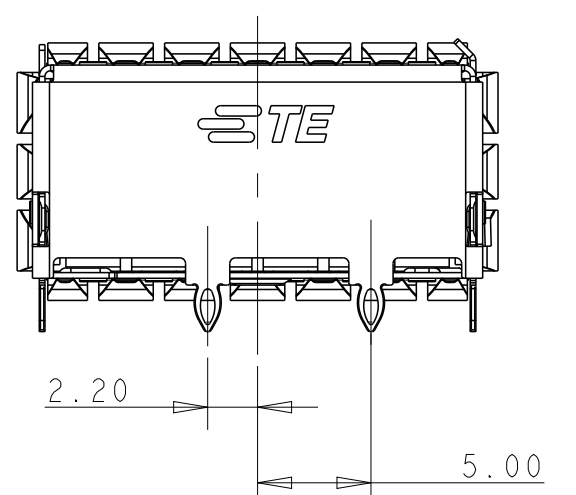
2324171-7 AS SHOWN
WITH 0 REAR PINS
SCALE 3:1



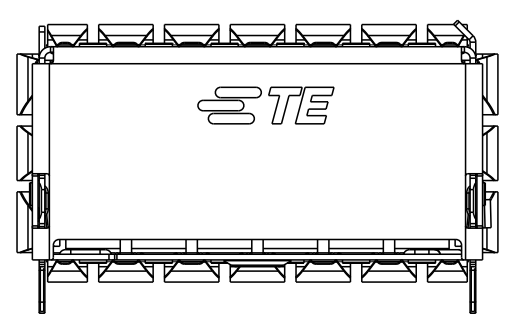
2324171-8 AS SHOWN
WITH 1 REAR PINS
SCALE 3:1



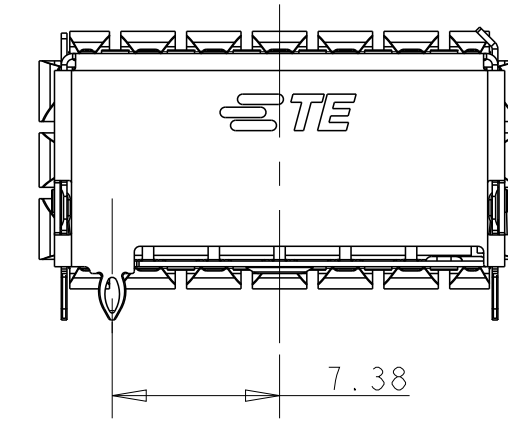
1-2324171-0 AS SHOWN
WITH 1 REAR PINS
W/O CLIP RETENTION FEATURES
SCALE 3:1



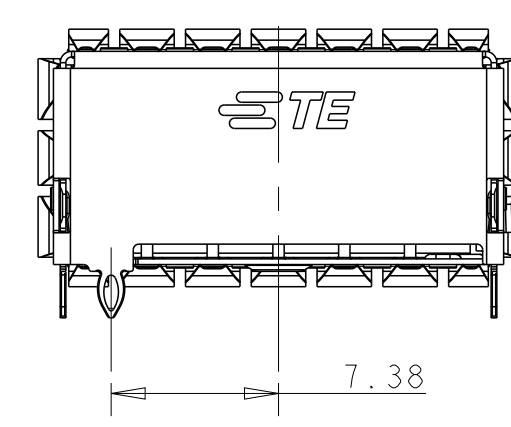
2324171-2
SCALE 3:1



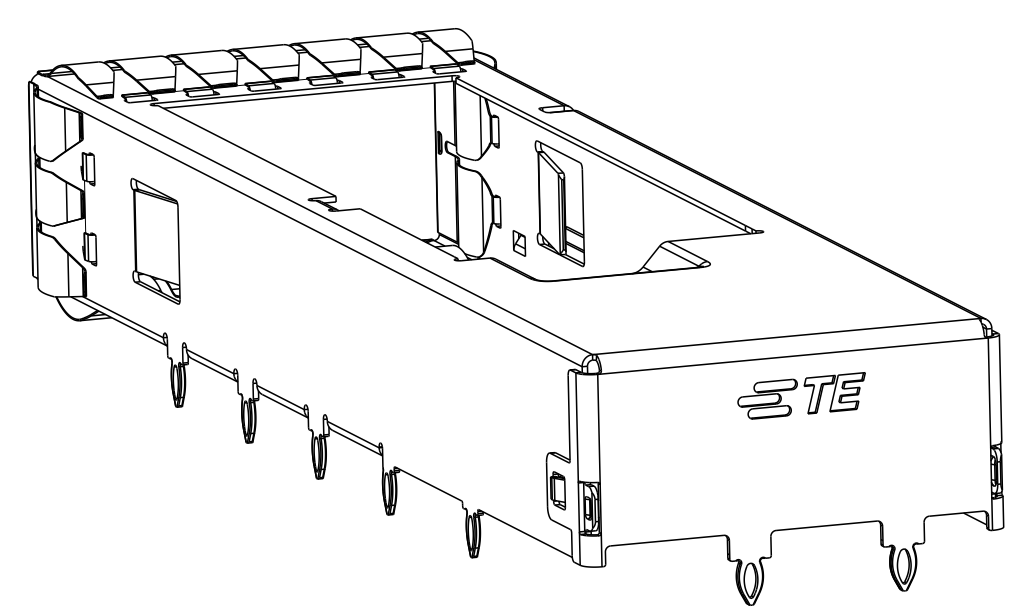
2324171-7
SCALE 3:1



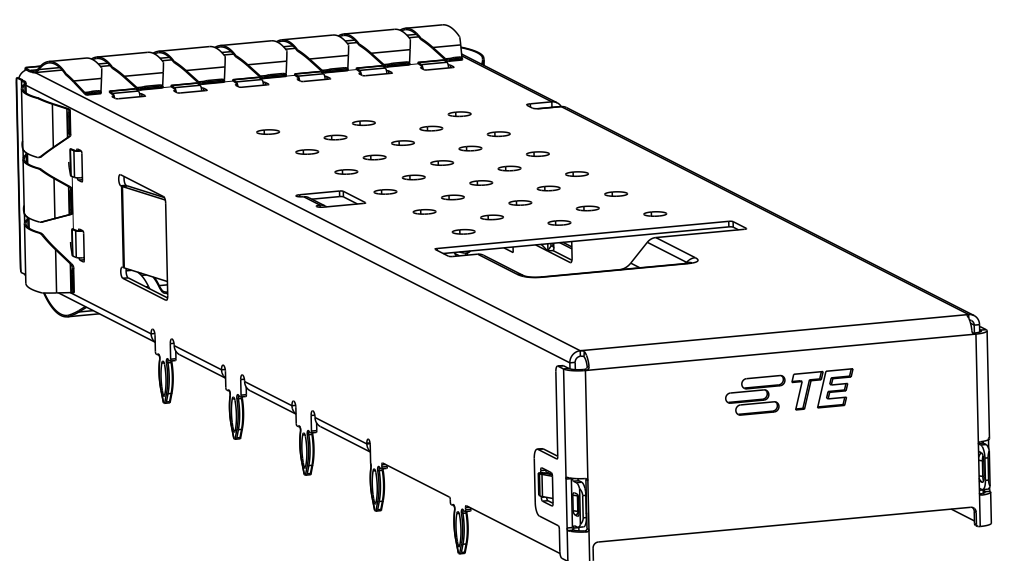
2324171-8
SCALE 3:1



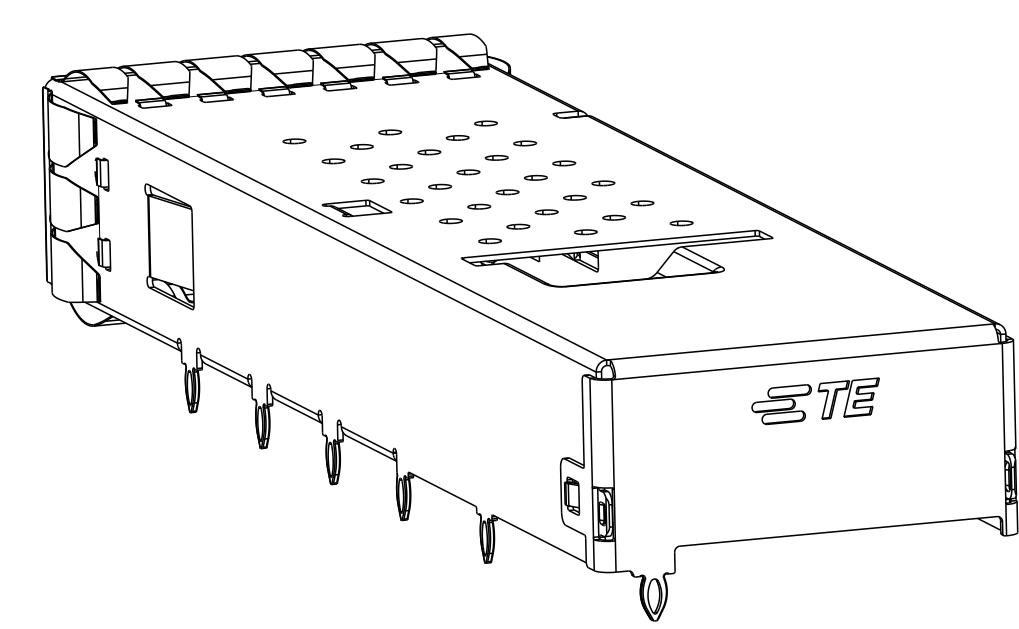
1-2324171-0
SCALE 3:1



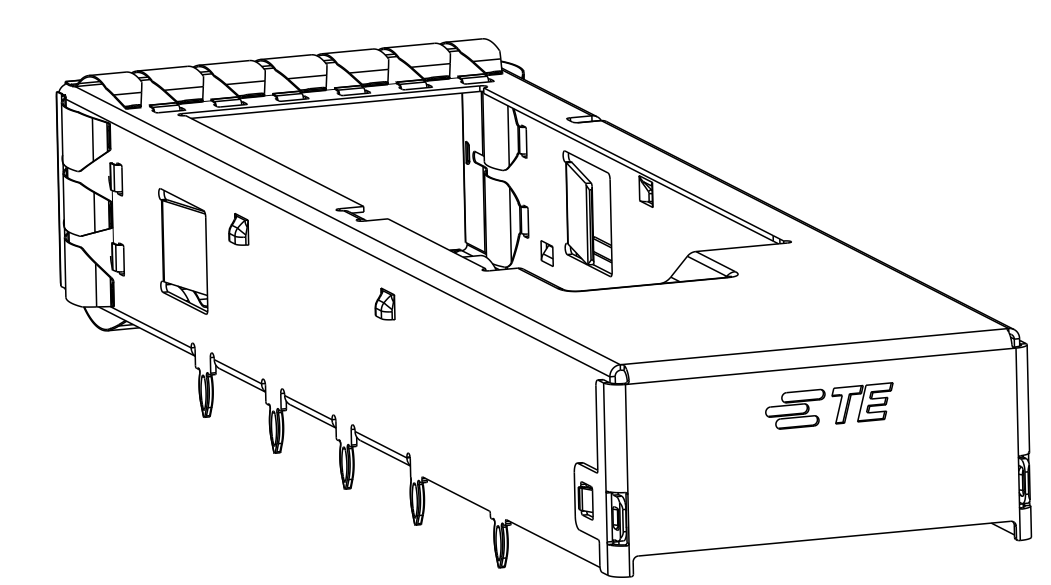
2-2324171-4 AS SHOWN
WITH 2 REAR PINS
W/O CLIP RETENTION FEATURES
SCALE 3:1



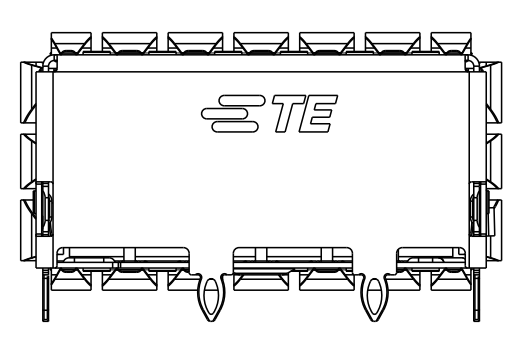
2-2324171-5 AS SHOWN
WITH CLOSED TOP AND 0 REAR PINS
SCALE 3:1



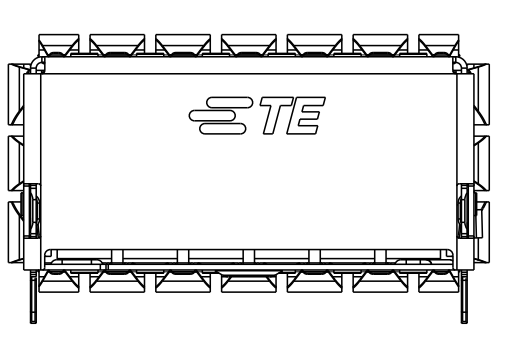
2-2324171-6 AS SHOWN
WITH CLOSED TOP AND 1 REAR PINS
SCALE 3:1



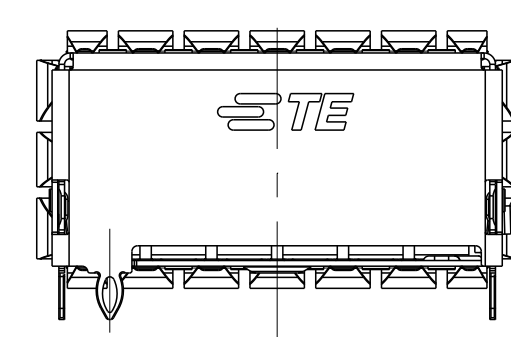
2-2324171-0 AS SHOWN
WITH 0 REAR PINS
SCALE 3:1



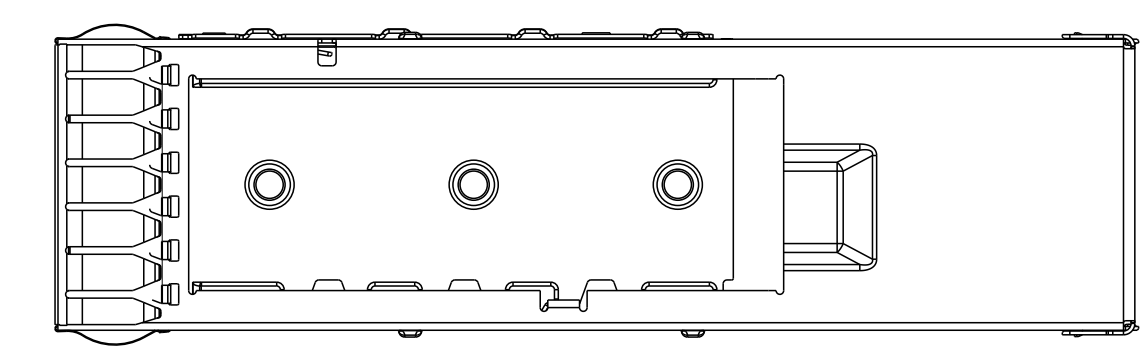
2-2324171-4 AS SHOWN
SCALE 3:1



2-2324171-5 AS SHOWN
SCALE 3:1



2-2324171-6 AS SHOWN
SCALE 3:1

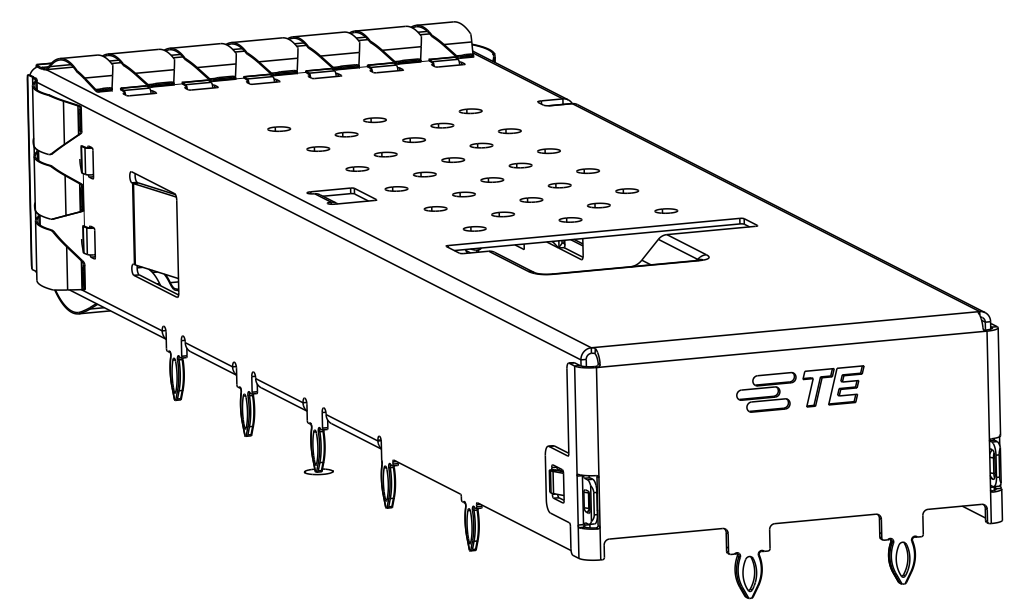


2-2324171-0 AS SHOWN
SCALE 2:1

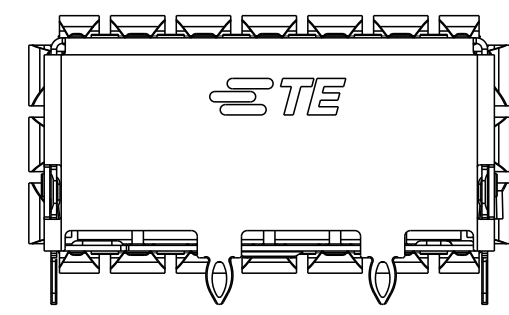
THIS DRAWING IS A CONTROLLED DOCUMENT.		OWN: ARTHUR JIN 24FEB2018	TE Connectivity
		CHK: SEAN HAN 24FEB2018	
DIMENSIONS:		APVD: SEAN HAN 24FEB2018	NAME: CAGE ASSEMBLY, QSPF-DD STANDARD 1X1, WITH EMI SPRING FINGER
TOLERANCES UNLESS OTHERWISE SPECIFIED:		PRODUCT SPEC	
mm	0 PLC ±0.25	108-60122	SIZE: A1 CAGE CODE: - DRAWING NO: C-2324171
	1 PLC ±0.25	APPLICATION SPEC	
	2 PLC ±0.20	114-60025	RESTRICTED TO: - SCALE: 2:1 SHEET 2 OF 7 REV: A5
	3 PLC ±0.10	WEIGHT: -	
	4 PLC ±	CUSTOMER DRAWING	
	ANGLES FINISH		

THIS DRAWING IS UNPUBLISHED. RELEASED FOR PUBLICATION
 © COPYRIGHT - ALL RIGHTS RESERVED.


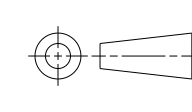
LOC		DIST		REVISIONS			
P	LTN	DESCRIPTION	DATE	DMN	APVD		
-	-	SEE SHEET 1	-	-	-		



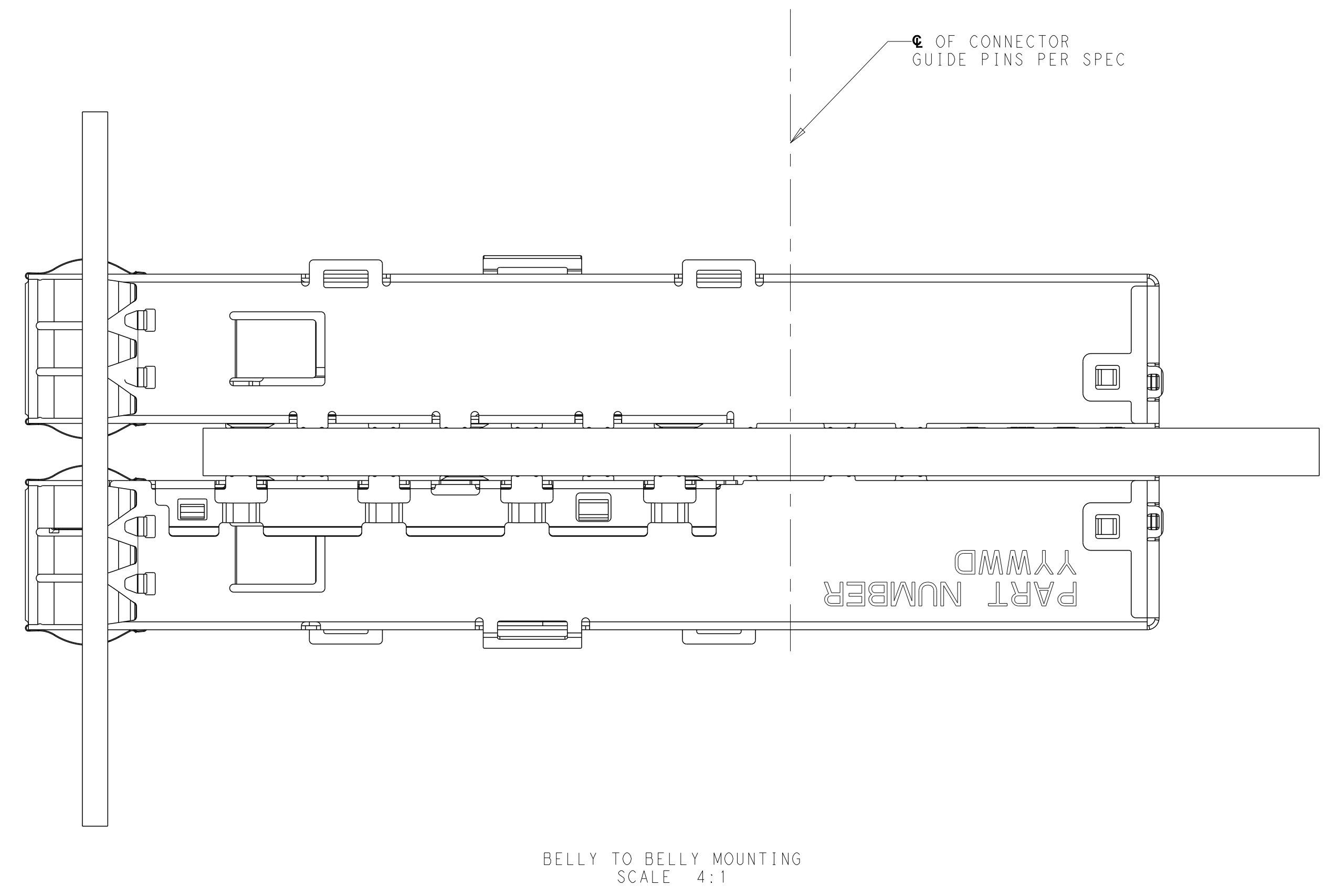
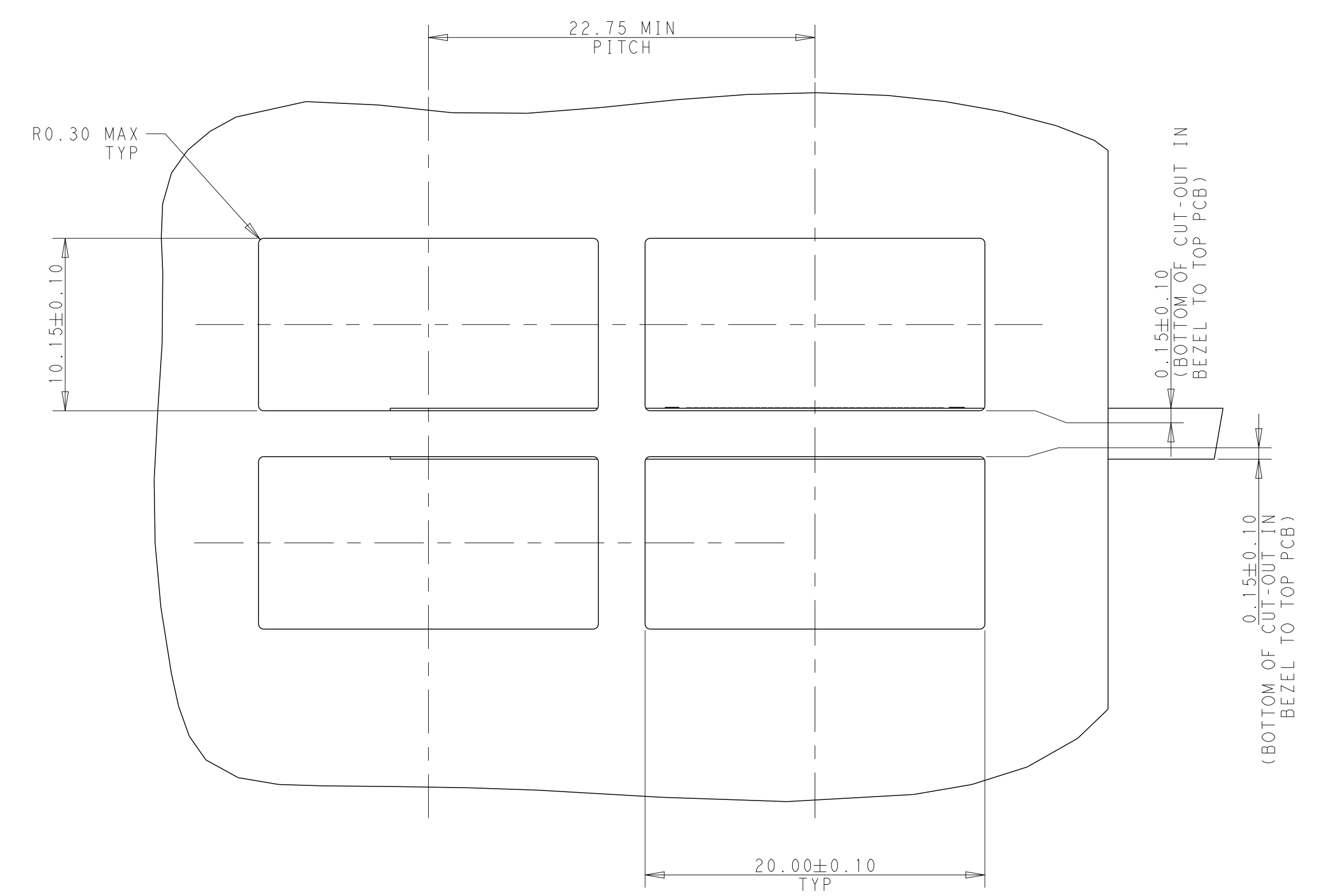
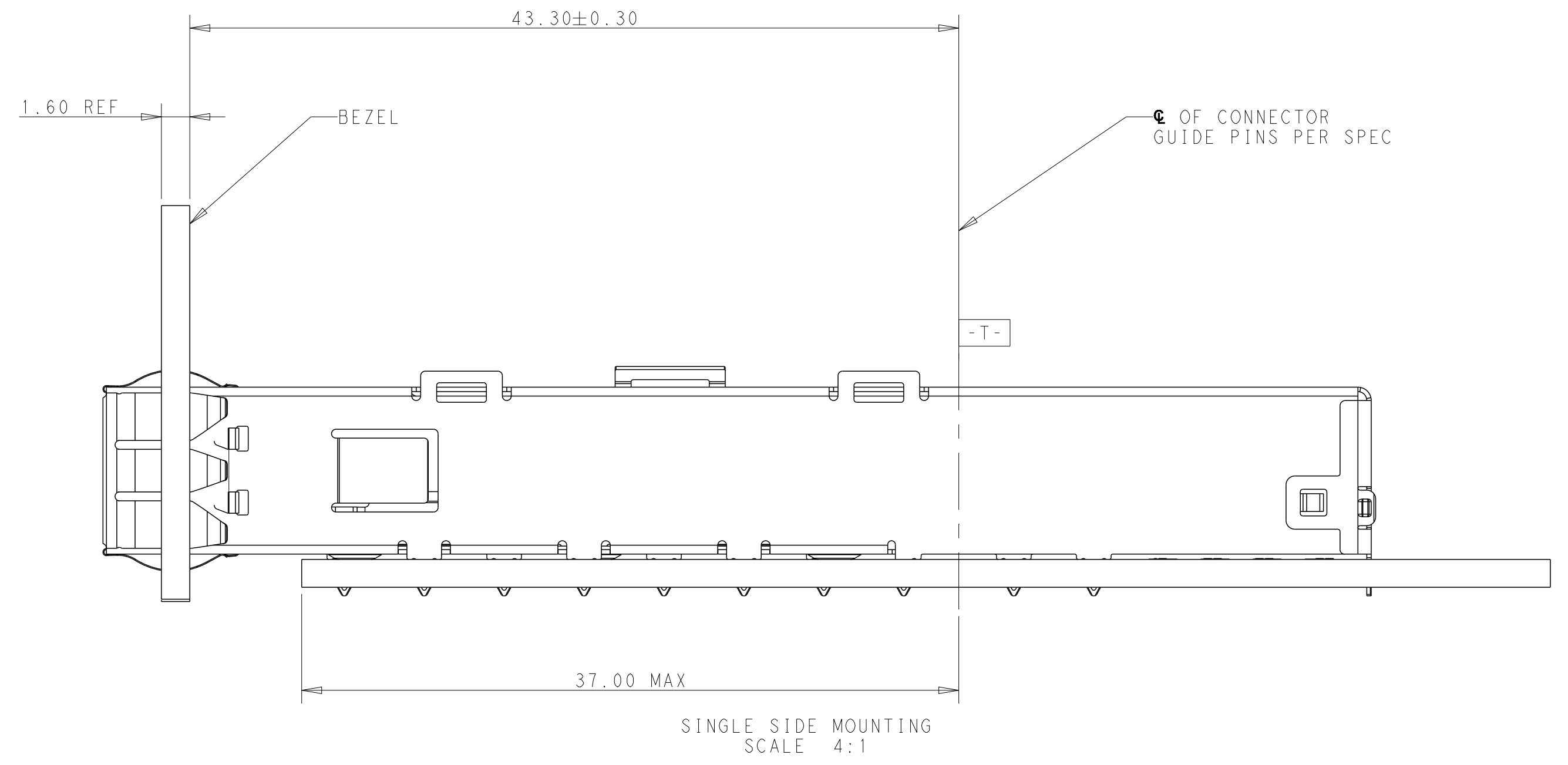
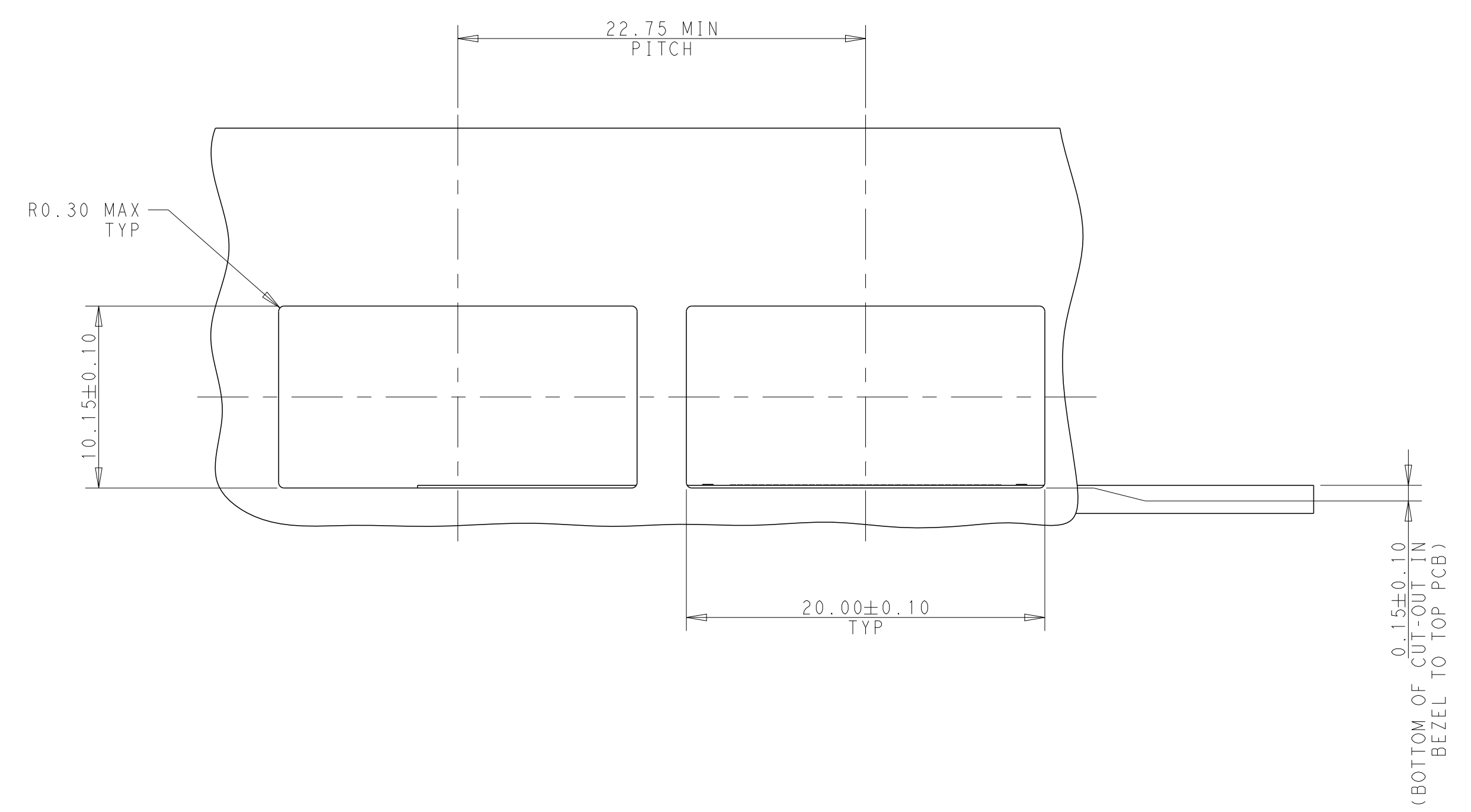
SCALE 3:1



2324171-1 AS SHOWN
 WITH 2 REAR PINS
 WITH CLOSED TOP
 SCALE 3:1

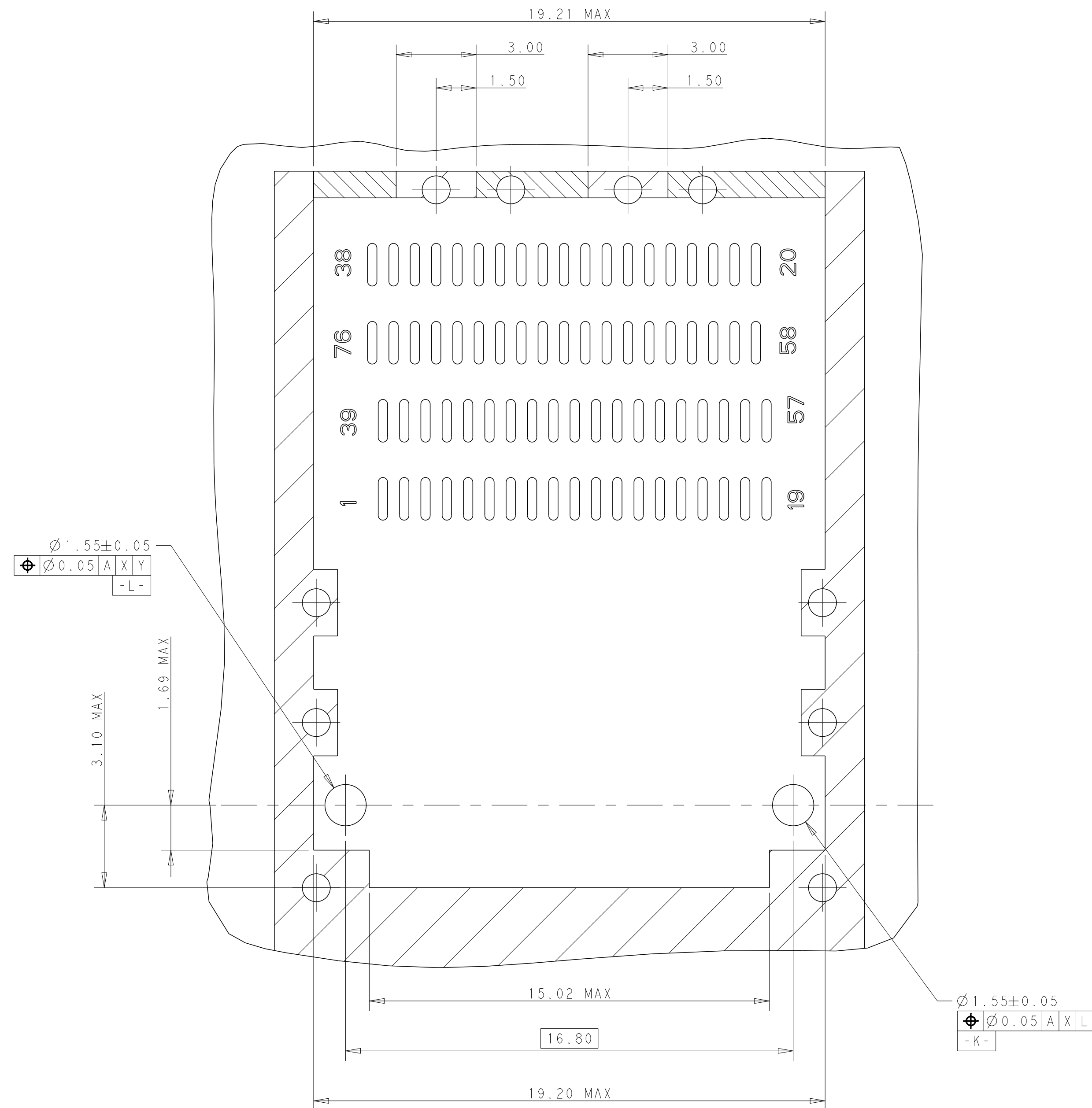
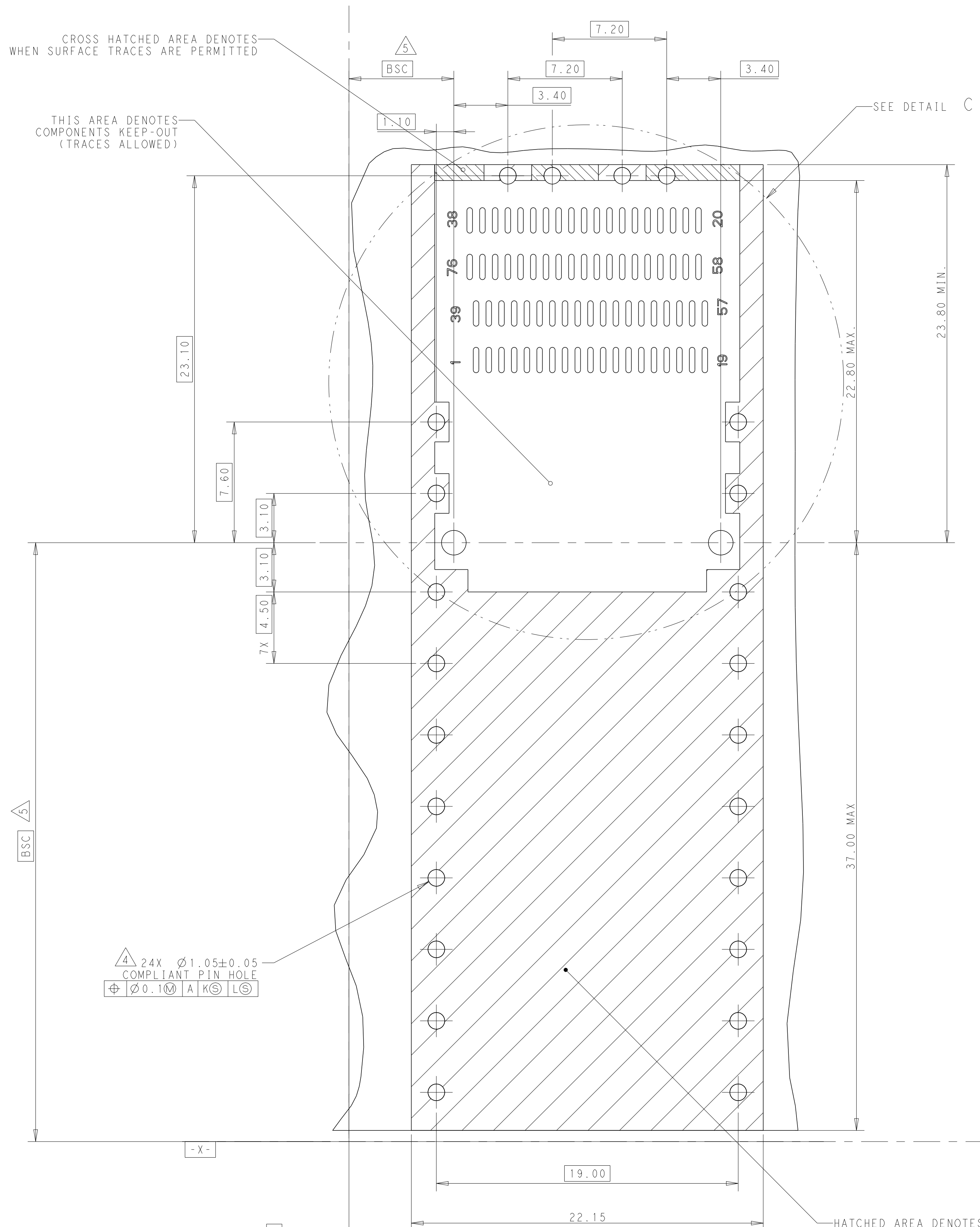
THIS DRAWING IS A CONTROLLED DOCUMENT.		DMN	ARTHUR JLN	24FEB2018	 TE Connectivity
		CHK	SEAN HAN	24FEB2018	
DIMENSIONS:		TOLERANCES UNLESS OTHERWISE SPECIFIED:		NAME	
mm	0 PLC ±0.25 1 PLC ±0.25 2 PLC ±0.25 3 PLC ±0.10 4 PLC ±	APVD		CAGE ASSEMBLY, QSFP-DD STANDARD 1X1, WITH EMI SPRING FINGER	
		FINISH		RESTRICTED TO	
MATERIAL		WEIGHT		SIZE	
-		-		A1	
-		-		C=2324171	
-		CUSTOMER DRAWING		SCALE 2:1 SHEET 3 OF 7 REV A5	

LOC		DIST		REVISIONS				
P	LTN	DATE	DMN	APVD	DESCRIPTION	DATE	DMN	APVD
-	-	-	-	-	SEE SHEET 1	-	-	-



THIS DRAWING IS A CONTROLLED DOCUMENT.		DMN: ARTHUR JLN 24FEB2018	TE Connectivity
DIMENSIONS: mm		CHK: SEAN HAN 24FEB2018	
TOLERANCES UNLESS OTHERWISE SPECIFIED:		APVD: SEAN HAN 24FEB2018	NAME: CAGE ASSEMBLY, QSPF-DD STANDARD 1X1, WITH EMI SPRING FINGER
0 PLC ±0.25 1 PLC ±0.25 2 PLC ±0.20 3 PLC ±0.10 4 PLC ± ANGLES FINISH ±		PRODUCT SPEC: 108-60122 APPLICATION SPEC: 114-60025 WEIGHT:	
MATERIAL:		RESTRICTED TO: A1	SIZE: A1 CAGE CODE: - DRAWING NO: C=2324171 SCALE: 2:1 SHEET: 4 OF 7 REV: A5
CUSTOMER DRAWING			

LOC		DIST		REVISIONS			
P	LTH	DESCRIPTION	DATE	OWN	APVD		
-	-	SEE SHEET 1	-	-	-		

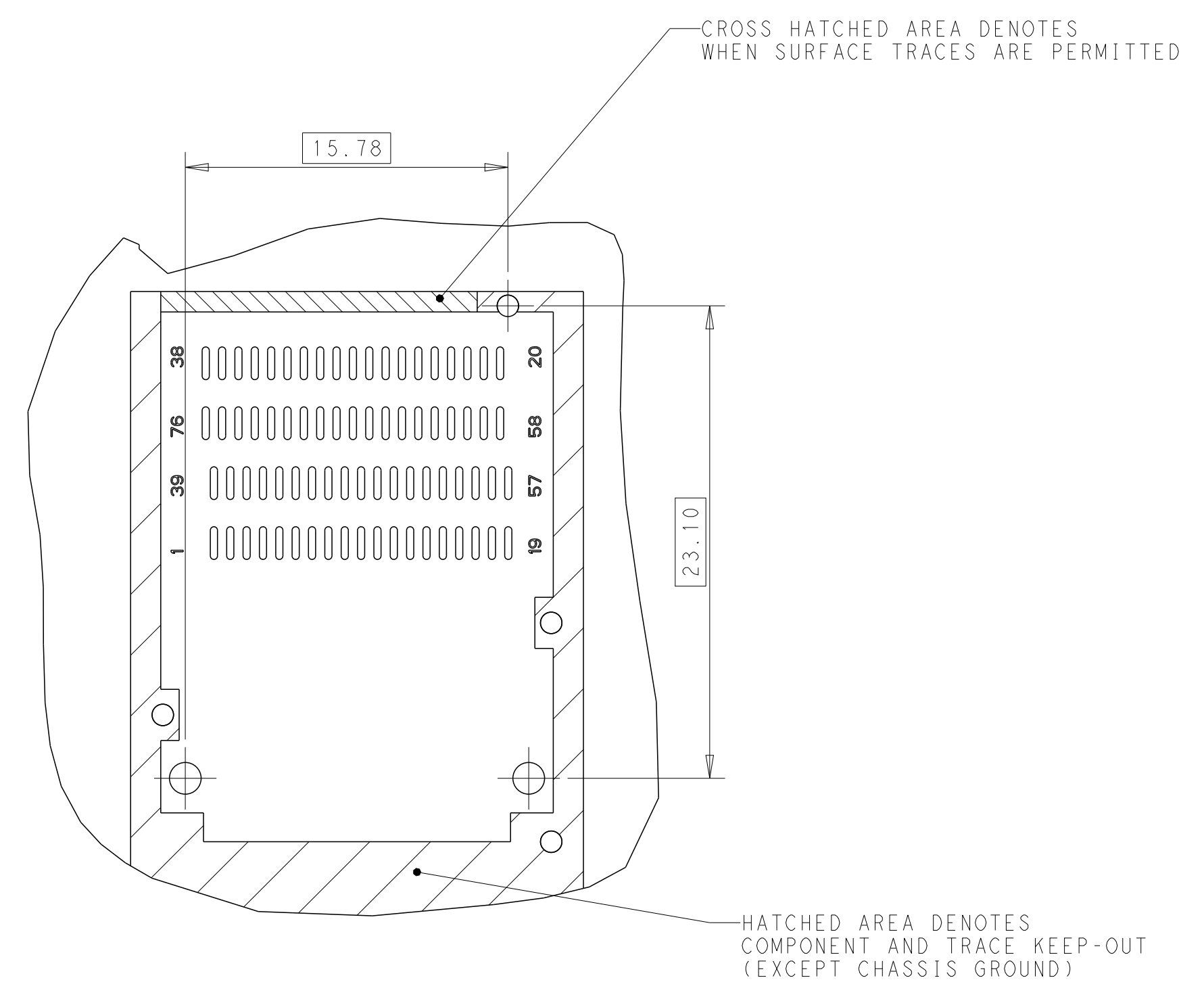


DETAIL C
SCALE 8:1

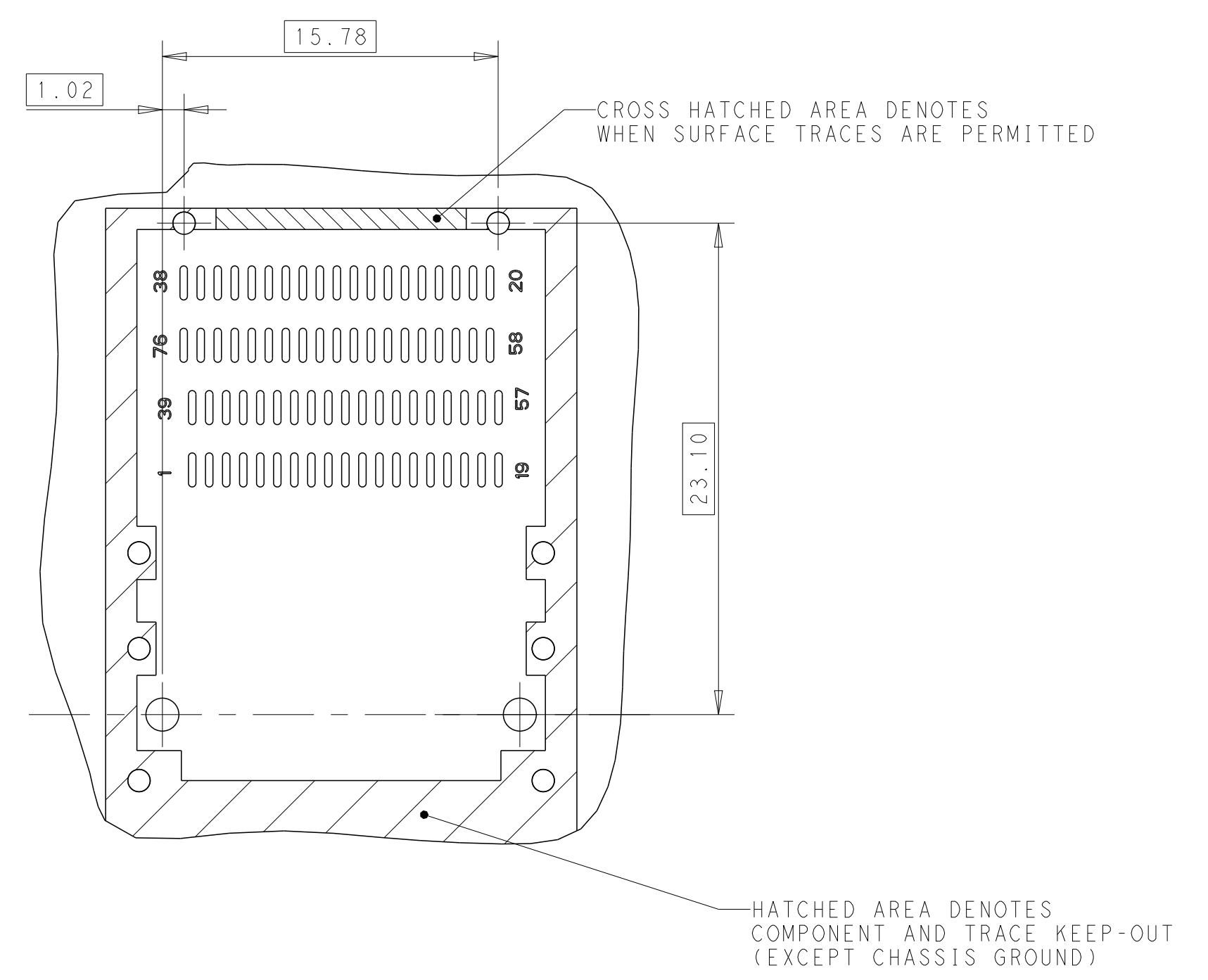
RECOMMENDED PCB LAYOUT
 BELLY TO BELLY TYPE OF 2 REAR HOLES OF LEGS
 PCB TOLERANCE: ±0.05
 SCALE 6:1

THIS DRAWING IS A CONTROLLED DOCUMENT.		OWN: ARTHUR JIN 24FEB2018	TE Connectivity
DIMENSIONS: mm		CHK: SEAN HAN 24FEB2018	
TOLERANCES UNLESS OTHERWISE SPECIFIED:		APVD: SEAN HAN 24FEB2018	NAME: CAGE ASSEMBLY, QSPF-DD STANDARD 1X1, WITH EMI SPRING FINGER PRODUCT SPEC: 108-60122 APPLICATION SPEC: 114-60025 WEIGHT: - FINISH: -
0 PLC ±0.25		SIZE: A1	
1 PLC ±0.25		CAGE CODE: -	
2 PLC ±0.25		DRAWING NO: C=2324171	
3 PLC ±0.20		RESTRICTED TO: -	SCALE: 2:1
4 PLC ±0.10		SHEET: 6 OF 7	REV: A5
ANGLES ±°		CUSTOMER DRAWING	

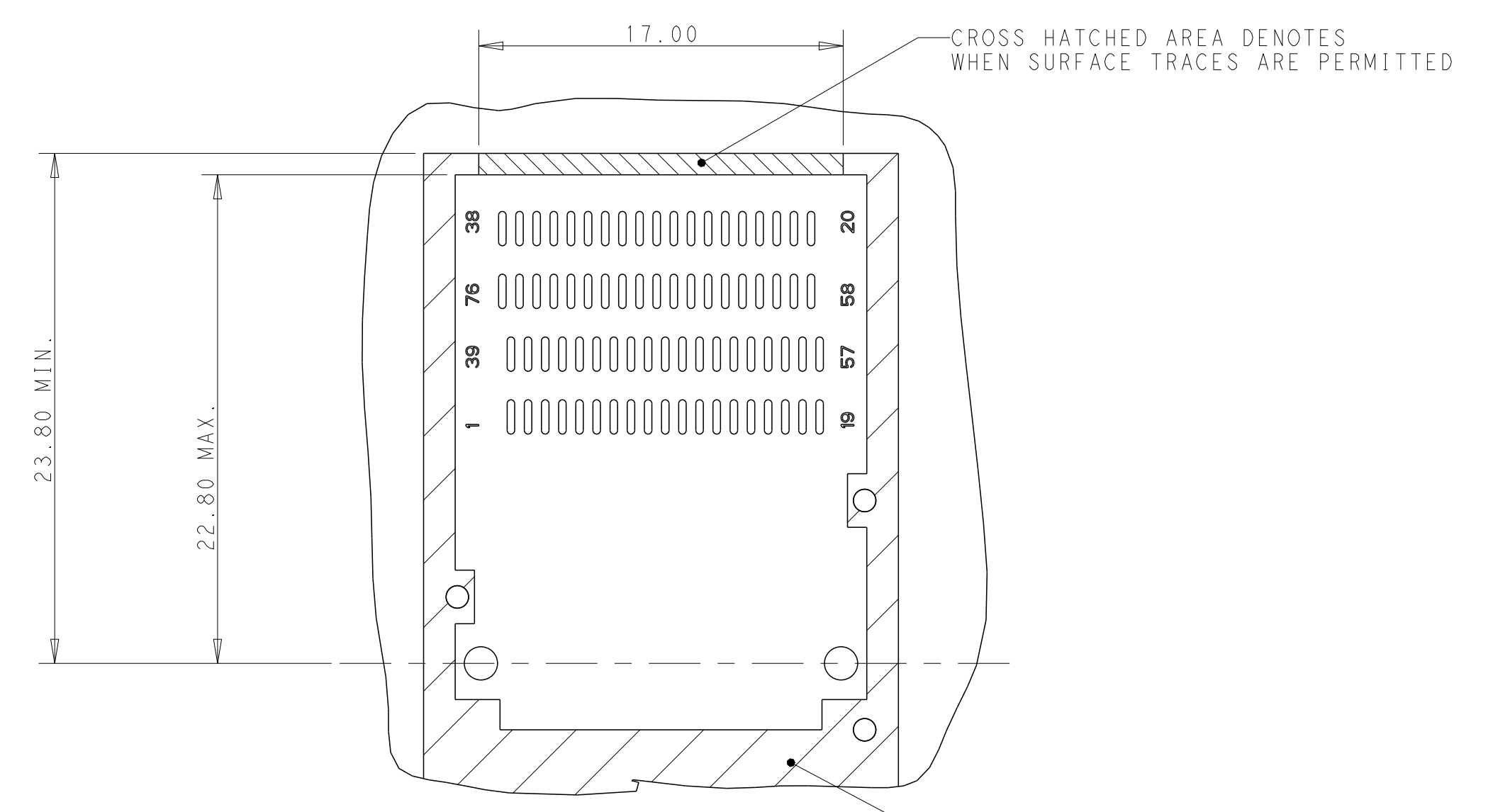
LOC		DIST		REVISIONS				
P	LTN	DATE	DMN	APVD	DESCRIPTION	DATE	DMN	APVD
-	-	-	-	-	SEE SHEET 1	-	-	-



RECOMMENDED PCB LAYOUT
 SINGLE TYPE OF 1 REAR HOLE
 PCB TOLERANCE: ± 0.05
 SCALE 4:1



RECOMMENDED PCB LAYOUT
 BELLY TO BELLY TYPE OF 1 REAR HOLE
 PCB TOLERANCE: ± 0.05
 SCALE 4:1



RECOMMENDED PCB LAYOUT
 SINGLE TYPE OF 0 REAR HOLES
 PCB TOLERANCE: ± 0.05
 SCALE 4:1

THIS DRAWING IS A CONTROLLED DOCUMENT.		DMN	ARTHUR JLN	24FEB2018	TE Connectivity
		CHK	SEAN HAN	24FEB2018	
		APVD	SEAN HAN	24FEB2018	NAME CAGE ASSEMBLY, QSPF-DD STANDARD 1X1, WITH EMI SPRING FINGER
		PRODUCT SPEC	108-60122	APPLICATION SPEC	
		MATERIAL	114-60025	WEIGHT	SIZE
		FINISH			A1
					SCALE
					2:1
					SHEET
					7 OF 7
					REV
					A5