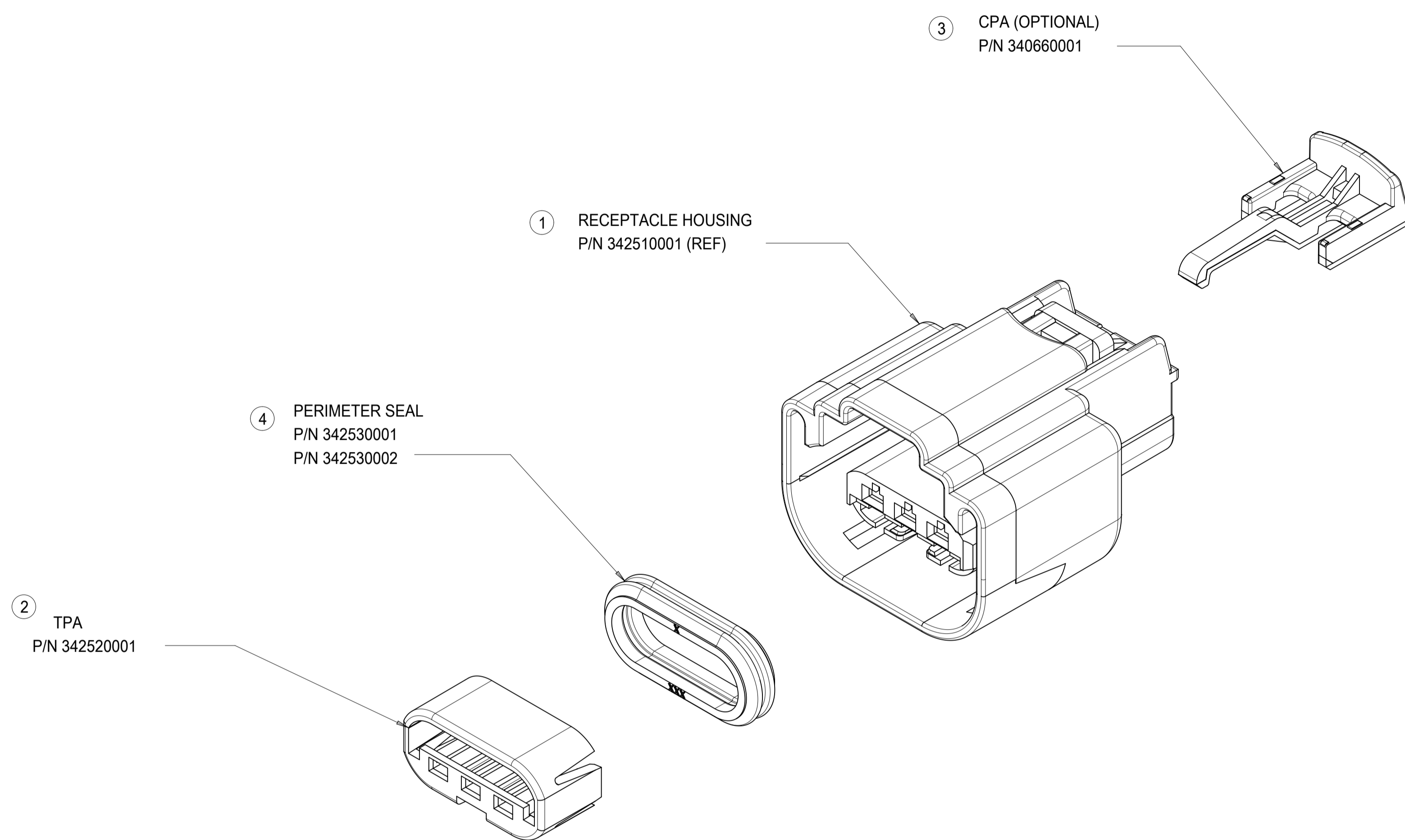


TABLE OF CONTENTS	
SHEET NO.	SHEET DESCRIPTION
1	NOTES
2	DUAL KEY CONFIGURATION
3	SINGLE KEY CONFIGURATION
4	VIEWS
5	BOM
6	TERMINAL AND CABLE SEAL



NOTES: VALID UNLESS OTHERWISE SPECIFIED

1. GENERAL:

- a. APPLICATION SPECIFICATION SEE: 1600730001-AS
  - CONTAINS: PRODUCT INTRODUCTION, PRODUCT SUMMARY, CONNECTOR ASSEMBLY, PACKAGING INFORMATION, CONNECTOR MATING, SERVICE INSTRUCTIONS, ELECTRICAL CONTINUITY CHECKING, CRIMPING, AND TROUBLESHOOTING.
  - DESIGNED TO MATE WITH DEVICE OR CONNECTOR AS SPECIFIED IN THE MATING INTERFACE/CONNECTOR DRAWINGS CHART.
  - \*DENOTES DRAWINGS THAT CAN BE ACCESSED AT <http://ewcap.uscarteams.org/>.
  - ASSEMBLY SHIPPED WITH PLR IN PRE-LOCK POSITION (SEE PLR PRE-LOCK VIEW SHEET 4).

b. PRODUCT SPECIFICATION SEE: 1600730001-PS

c. PACKAGING SPECIFICATION PER MOLEX DRAWING: SEE PK-31300-068

d. PARTS MUST BE IN COMPLIANCE TO MOLEX CHEMICAL SUBSTANCES FOR PRODUCTS AND PACKAGING SPECIFICATION: QEHS-699000-301

e. DATA MUST BE SUBMITTED UNDER THE MOLEX PART NUMBER TO IMDS (COMPANY ID#13255)

2. DESIGN - MATERIALS:

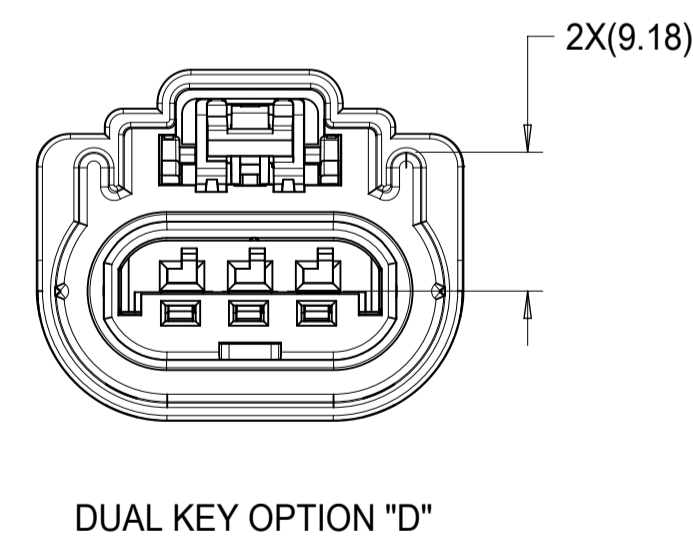
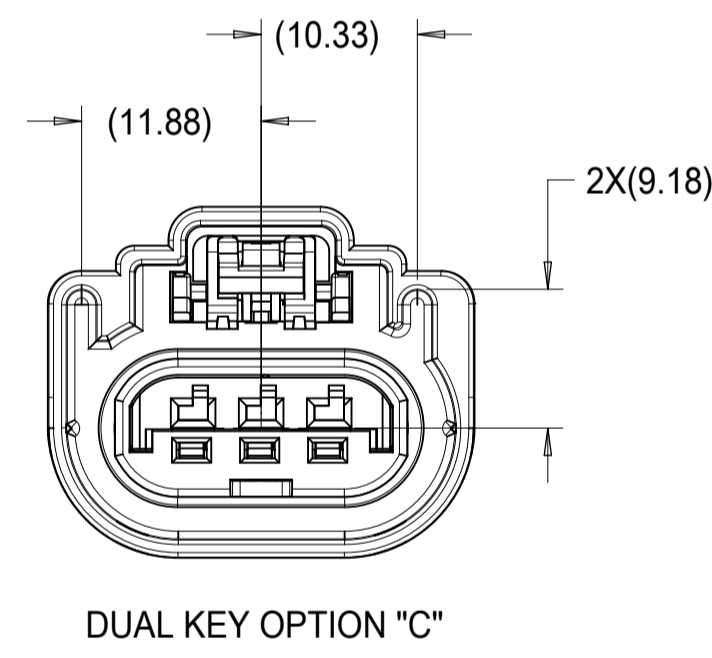
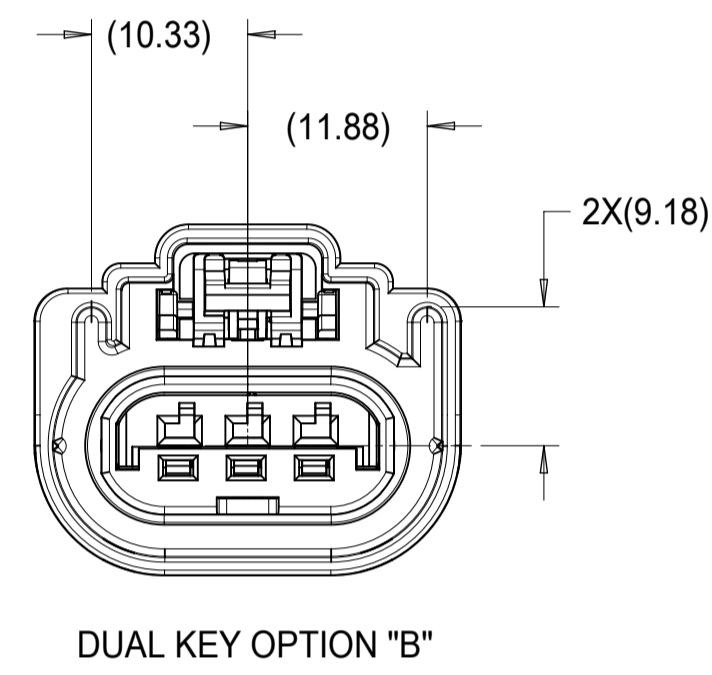
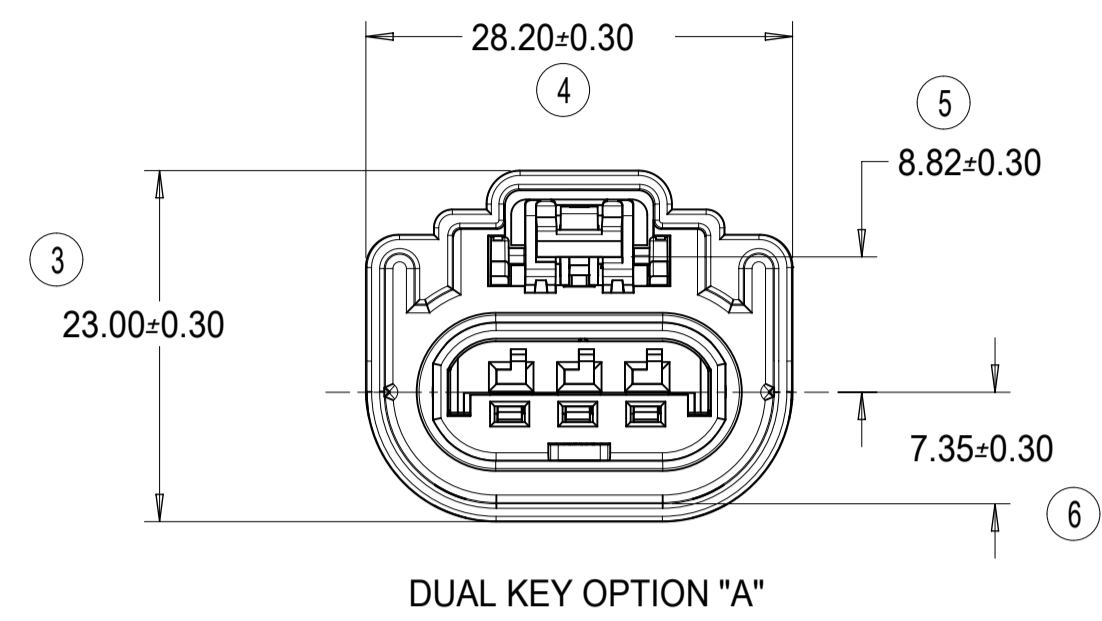
a. FOR BILL OF MATERIALS SEE: BOM IN SHEET 5

3. DESIGN - GEOMETRY:

- a. THE 3-D CAD DATA IS BASIC (WITHOUT TOLERANCE) AND MASTER FOR THIS PART WITH THE EXCEPTION OF UNDERLINED DIMENSIONS. DIMENSIONAL INFORMATION NOT SHOWN ON THIS DRAWING IS DEFINED BY THE DATA FILE AT ITS LATEST REVISION.
  - b. GEOMETRIC DIMENSIONS AND TOLERANCES PER ASME Y14.5M-2009
  - c. EDGES AND UNDIMENSIONED DETAILS PER ISO13715
  - d. CORNERS SHOWN AS SHARP TO BE R 0.2 MAX.
  - e. LETTERING SHALL BE 0.15 MAX RAISED IN 0.25 MAX RECESS PAD. THIS INCLUDES RECYCLING CODE, CAVITY ID, VENDOR IDENTIFICATION, AND CUSTOMER MATERIAL NUMBER.
  - f. VISUAL DEFECTS SHALL MEET COSMETIC STANDARD PS-45499-002 (Class B).
  - g. LASER MARKING:
    - 1. PART NUMBER
    - 2. DAY OF THE YEAR
    - 3. SHIFT
    - 4. YEAR
- FOR ADDITIONAL INFORMATION SEE SECTION 5 UNDER PROCEDURES IN ES-34735-008.

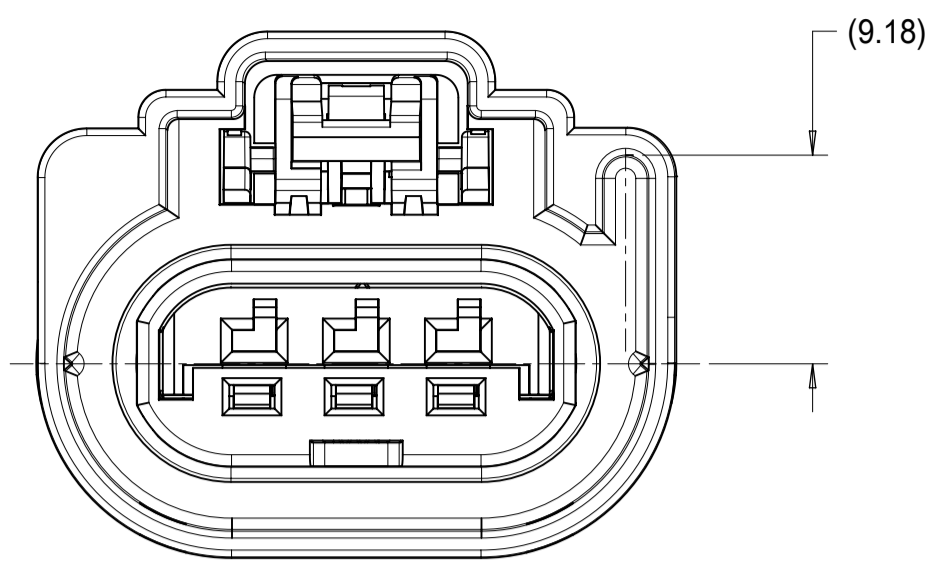
SYMBOLS	THIS DRAWING CONTAINS INFORMATION THAT IS PROPRIETARY TO MOLEX ELECTRONIC TECHNOLOGIES, LLC AND SHOULD NOT BE USED WITHOUT WRITTEN PERMISSION		CURRENT REV DESC:		molex			
	DIMENSION UNITS	SCALE	EC NO: 171123 DRWN: PXU25 2017/12/26 CHK'D: KBORUSZEWSKI 2018/01/26 APPR: MVANSLAMBROU 2018/02/02 INITIAL REVISION: DRWN: CYMA 2016/07/20 APPR: KDEKOSKI 2017/02/08		RECEPTACLE ASSEMBLY			
	mm	2:1			3-WAY USCAR CONNECTOR 1.5MM CABLE SEAL			
	GENERAL TOLERANCES (UNLESS SPECIFIED)				PRODUCT CUSTOMER DRAWING			
	ANGULAR TOL ± 3.0°				DOCUMENT NUMBER	DOC TYPE	DOC PART	REVISION
	4 PLACES ±				SD-160073-001	PSD	001	R
	3 PLACES ±		MATERIAL NUMBER		CUSTOMER		SHEET NUMBER	
	2 PLACES ± 0.1		160073		GENERAL MARKET		1 OF 6	
	1 PLACE ± 0.3		DRAWING		SERIES			
	0 PLACES ±		A1-SIZE		160073			
	DRAFT WHERE APPLICABLE MUST REMAIN WITHIN DIMENSIONS		THIRD ANGLE PROJECTION					

# DUAL KEY CONFIGURATION

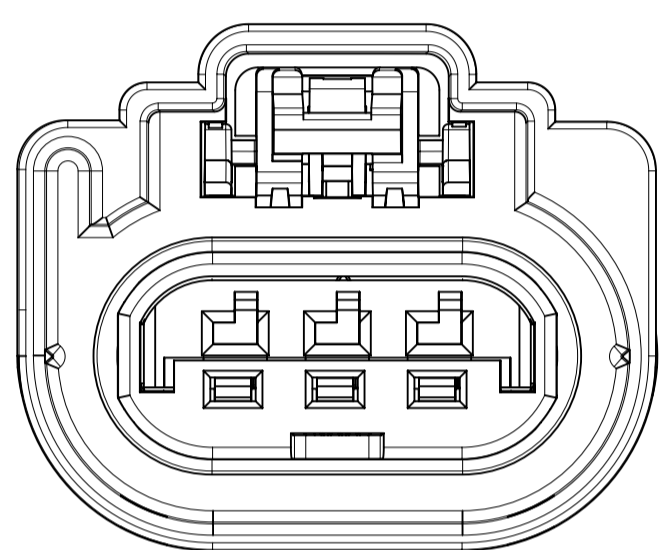


SYMBOLS	THIS DRAWING CONTAINS INFORMATION THAT IS PROPRIETARY TO MOLEX ELECTRONIC TECHNOLOGIES, LLC AND SHOULD NOT BE USED WITHOUT WRITTEN PERMISSION		CURRENT REV DESC:				
	DIMENSION UNITS	SCALE					
▽ = 0	mm	3:1	GENERAL TOLERANCES (UNLESS SPECIFIED)		CHK'D: KBORUSZEWSKI	2018/01/26	3-WAY USCAR CONNECTOR 1.5MM CABLE SEAL
▽ = 0	ANGULAR TOL ± 3.0°		APPR: MVANSLAMBROU		2018/02/02	PRODUCT CUSTOMER DRAWING	
▽ = 0	4 PLACES	±	INITIAL REVISION:		DRWN: CYMA	2016/07/20	DOCUMENT NUMBER
▽ = 0	3 PLACES	±	DRWN: CYMA		2017/02/08	SD-160073-001	DOC TYPE
▽ = 0	2 PLACES	± 0.1	APPR: KDEKOSKI		2017/02/08	PSD	DOC PART
▽ = 0	1 PLACE	± 0.3	DRAFT WHERE APPLICABLE MUST REMAIN WITHIN DIMENSIONS		THIRD ANGLE PROJECTION	CUSTOMER	REVISION
▽ = 0	0 PLACES	±	DRAWING		A1-SIZE	GENERAL MARKET	001
▽ = 0	DRAFT WHERE APPLICABLE MUST REMAIN WITHIN DIMENSIONS		SERIES		160073	SHEET NUMBER	R
▽ = 0	DRAFT WHERE APPLICABLE MUST REMAIN WITHIN DIMENSIONS		MATERIAL NUMBER		GENERAL MARKET	2 OF 6	

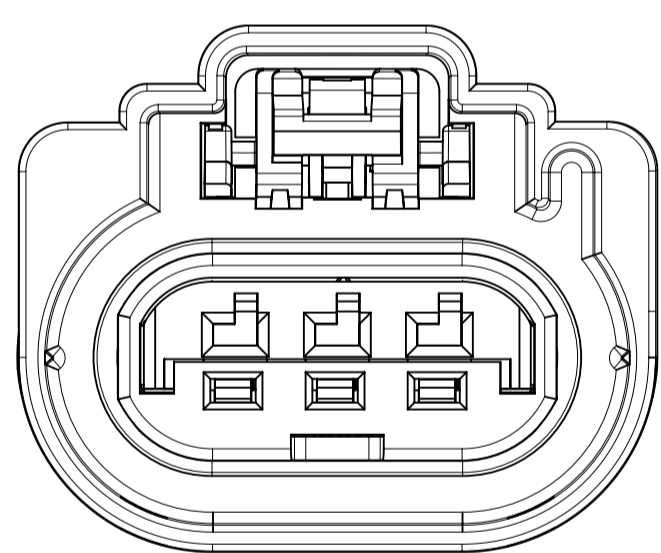
# SINGLE KEY CONFIGURATION



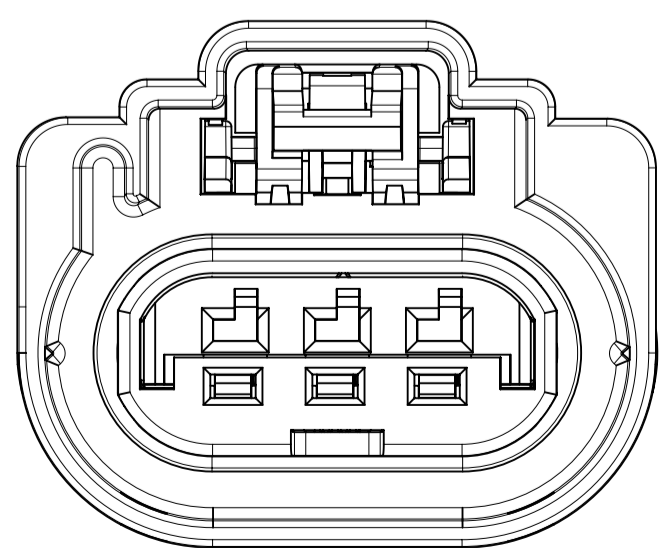
SINGLE KEY OPTION "A"



SINGLE KEY OPTION "B"



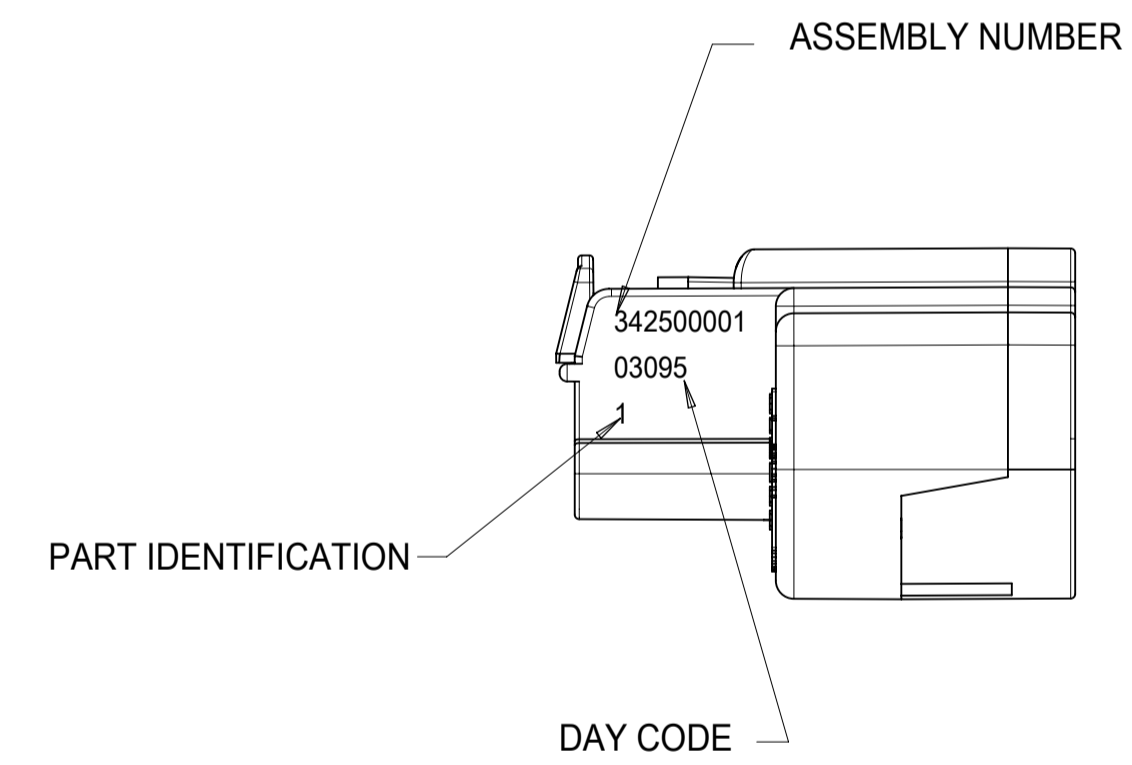
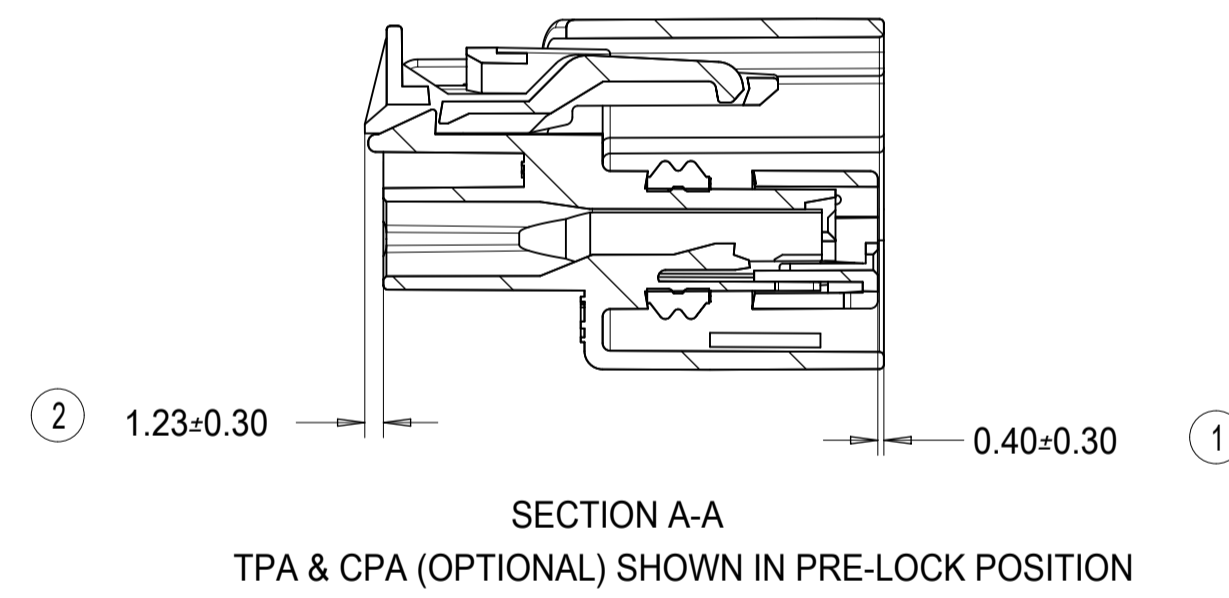
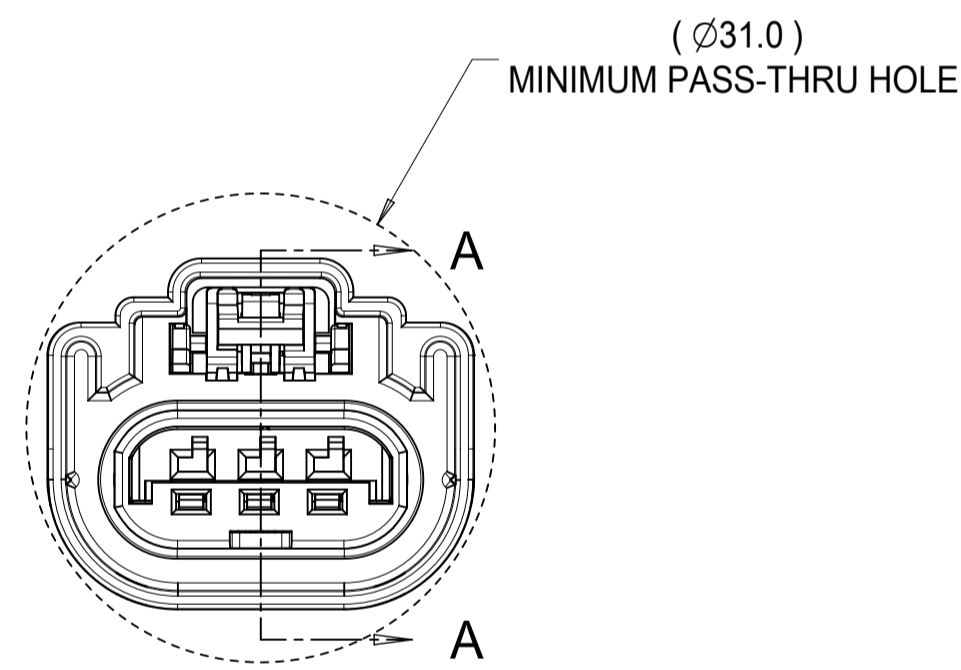
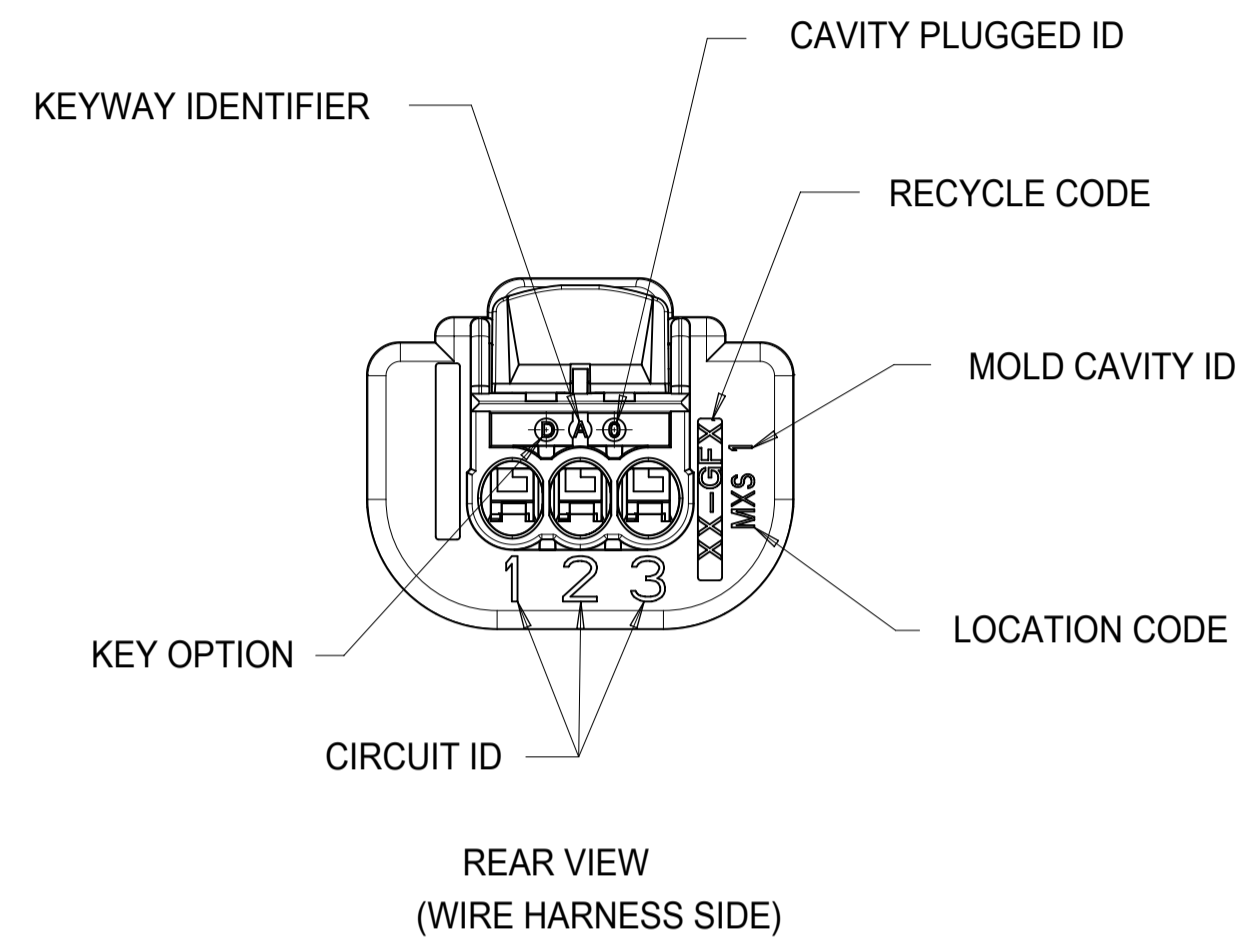
SINGLE KEY OPTION "C"



SINGLE KEY OPTION "D"

<b>SYMBOLS</b> = 0 = 0 = 0 = 0 = 0 = 0 = 0 = 0	THIS DRAWING CONTAINS INFORMATION THAT IS PROPRIETARY TO MOLEX ELECTRONIC TECHNOLOGIES, LLC AND SHOULD NOT BE USED WITHOUT WRITTEN PERMISSION DIMENSION UNITS: <b>mm</b> SCALE: <b>3:1</b>	CURRENT REV DESC: EC NO: 171123 DRWN: PXU25 2017/12/26 CHK'D: KBORUSZEWSKI 2018/01/26 APPR: MVANSLAMBROU 2018/02/02	 RECEPTACLE ASSEMBLY 3-WAY USCAR CONNECTOR 1.5MM CABLE SEAL		
	GENERAL TOLERANCES (UNLESS SPECIFIED) ANGULAR TOL ± 3.0° 4 PLACES ± 3 PLACES ± 2 PLACES ± 0.1 1 PLACE ± 0.3 0 PLACES ±	INITIAL REVISION: DRWN: CYMA 2016/07/20 APPR: KDEKOSKI 2017/02/08	PRODUCT CUSTOMER DRAWING DOCUMENT NUMBER: <b>SD-160073-001</b> DOC TYPE: PSD DOC PART: 001 REVISION: <b>R</b>	MATERIAL NUMBER <b>160073</b>	CUSTOMER GENERAL MARKET
DRAFT WHERE APPLICABLE MUST REMAIN WITHIN DIMENSIONS 	THIRD ANGLE PROJECTION 	DRAWING: <b>A1-SIZE</b> SERIES: <b>160073</b>			

VIEWS



SYMBOLS		THIS DRAWING CONTAINS INFORMATION THAT IS PROPRIETARY TO MOLEX ELECTRONIC TECHNOLOGIES, LLC AND SHOULD NOT BE USED WITHOUT WRITTEN PERMISSION		CURRENT REV DESC:		molex		
▽ = 0	DIMENSION UNITS	mm	SCALE	2:1		RECEPTACLE ASSEMBLY		
▽ = 0	GENERAL TOLERANCES (UNLESS SPECIFIED)		EC NO: 171123		3-WAY USCAR CONNECTOR 1.5MM CABLE SEAL			
▽ = 0	ANGULAR TOL	± 3.0°	DRWN: PXU25 2017/12/26		PRODUCT CUSTOMER DRAWING			
▽ = 0	4 PLACES	±	CHK'D: KBORUSZEWSKI 2018/01/26		DOCUMENT NUMBER			
▽ = 0	3 PLACES	±	APPR: MVANSLAMBROU 2018/02/02		SD-160073-001			
▽ = 0	2 PLACES	± 0.1	INITIAL REVISION:		DOC TYPE   DOC PART   REVISION			
▽ = 0	1 PLACE	± 0.3	DRWN: CYMA 2016/07/20		PSD   001   R			
▽ = 0	0 PLACES	±	APPR: KDEKOSKI 2017/02/08		MATERIAL NUMBER			
▽ = 0	DRAFT WHERE APPLICABLE MUST REMAIN WITHIN DIMENSIONS		THIRD ANGLE PROJECTION		DRAWING		CUSTOMER	SHEET NUMBER
▽ = 0			A1-SIZE		SERIES		GENERAL MARKET	4 OF 6
				160073				

ASSEMBLY DESCRIPTION	ASSEMBLY P/N	HOUSING KEY/COLOR	BLOCKED TERMINALS			MATES W/ USCAR DUAL KEY	MATES W/ USCAR SINGLE KEY	STATUS	COMMENTS
			1	2	3				
KEY A, BLACK, W/O CPA	1600733101	A-BLACK				150-S-003-1-A01	N/A	SALEABLE	N/A
KEY B, LT GREY, W/O CPA	1600733102	B-LT GREY				150-S-003-1-B01	N/A	SALEABLE	N/A
KEY C, DK GREY, W/O CPA	1600733103	C-DK GREY				150-S-003-1-C01	N/A	SALEABLE	N/A
KEY D, ST GREY, W/O CPA	1600733104	D-ST GREY				150-S-003-1-D01	N/A	SALEABLE	N/A
KEY A, BLACK, W/ CPA	1600733105	A-BLACK				150-S-003-1-A01	N/A	SALEABLE	N/A
KEY B, LT GREY, W/ CPA	1600733106	B-LT GREY				150-S-003-1-B01	N/A	SALEABLE	N/A
KEY C, DK GREY, W/ CPA	1600733107	C-DK GREY				150-S-003-1-C01	N/A	SALEABLE	N/A
KEY D, ST GREY, W/ CPA	1600733108	D-ST GREY				150-S-003-1-D01	N/A	SALEABLE	N/A
KEY A, BLACK, W/O CPA	1600733109	A-BLACK				N/A	150-S-003-1-A02	SALEABLE	N/A
KEY B, LT GREY, W/O CPA	1600733110	B-LT GREY				N/A	150-S-003-1-B02	SALEABLE	N/A
KEY C, DK GREY, W/O CPA	1600733111	C-DK GREY				N/A	150-S-003-1-C02	SALEABLE	N/A
KEY D, ST GREY, W/O CPA	1600733112	D-ST GREY				N/A	150-S-003-1-D02	SALEABLE	N/A
KEY A, BLACK, W/ CPA	1600733113	A-BLACK				N/A	150-S-003-1-A02	SALEABLE	N/A
KEY B, LT GREY, W/ CPA	1600733114	B-LT GREY				N/A	150-S-003-1-B02	SALEABLE	N/A
KEY C, DK GREY, W/ CPA	1600733115	C-DK GREY				N/A	150-S-003-1-C02	SALEABLE	N/A
KEY D, ST GREY, W/ CPA	1600733116	D-ST GREY				N/A	150-S-003-1-D02	SALEABLE	N/A
KEY B, BLACK, W/O CPA	1600733117	B-BLACK				150-S-003-1-B01	N/A	SALEABLE	N/A
KEY D, BLACK, W/O CPA	1600733118	D-BLACK				N/A	150-S-003-1-D02	SALEABLE	N/A
KEY B, BLACK, W/ CPA	1600733119	B-BLACK				150-S-003-1-B01	N/A	SALEABLE	N/A

ASSEMBLY MATERIALS			
ITEM	DESCRIPTION	COLOR	RECYCLE CODE
1	RECEPTACLE HOUSING	SEE CHART	PA6 GF40 (FOR 160073 SERIES)
2	TPA	NATURAL	PBT-GF30
3	CPA	RED	PBT-GF30
4	PERIMETER SEAL	BLUE	SILICON 50 DUROMETER

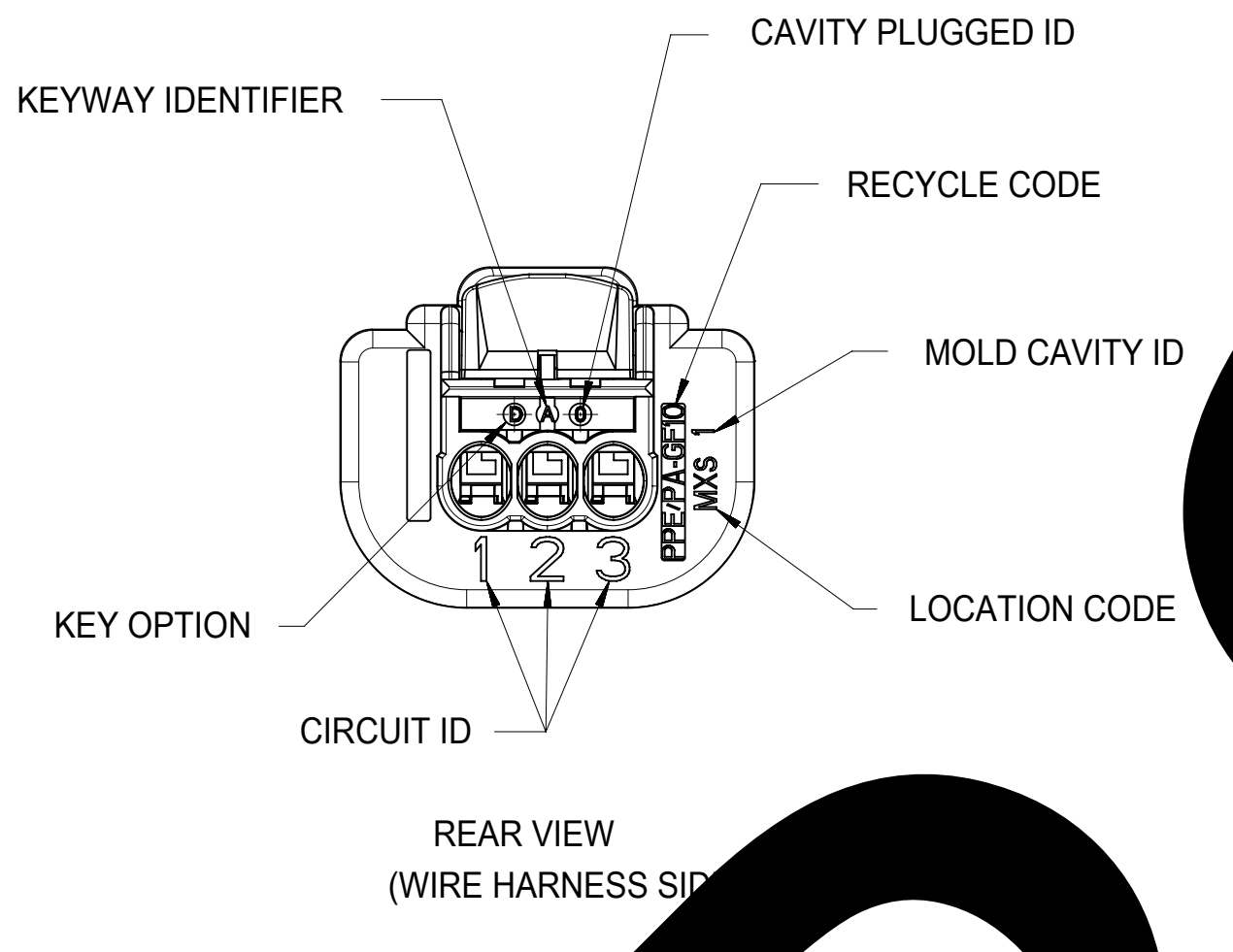
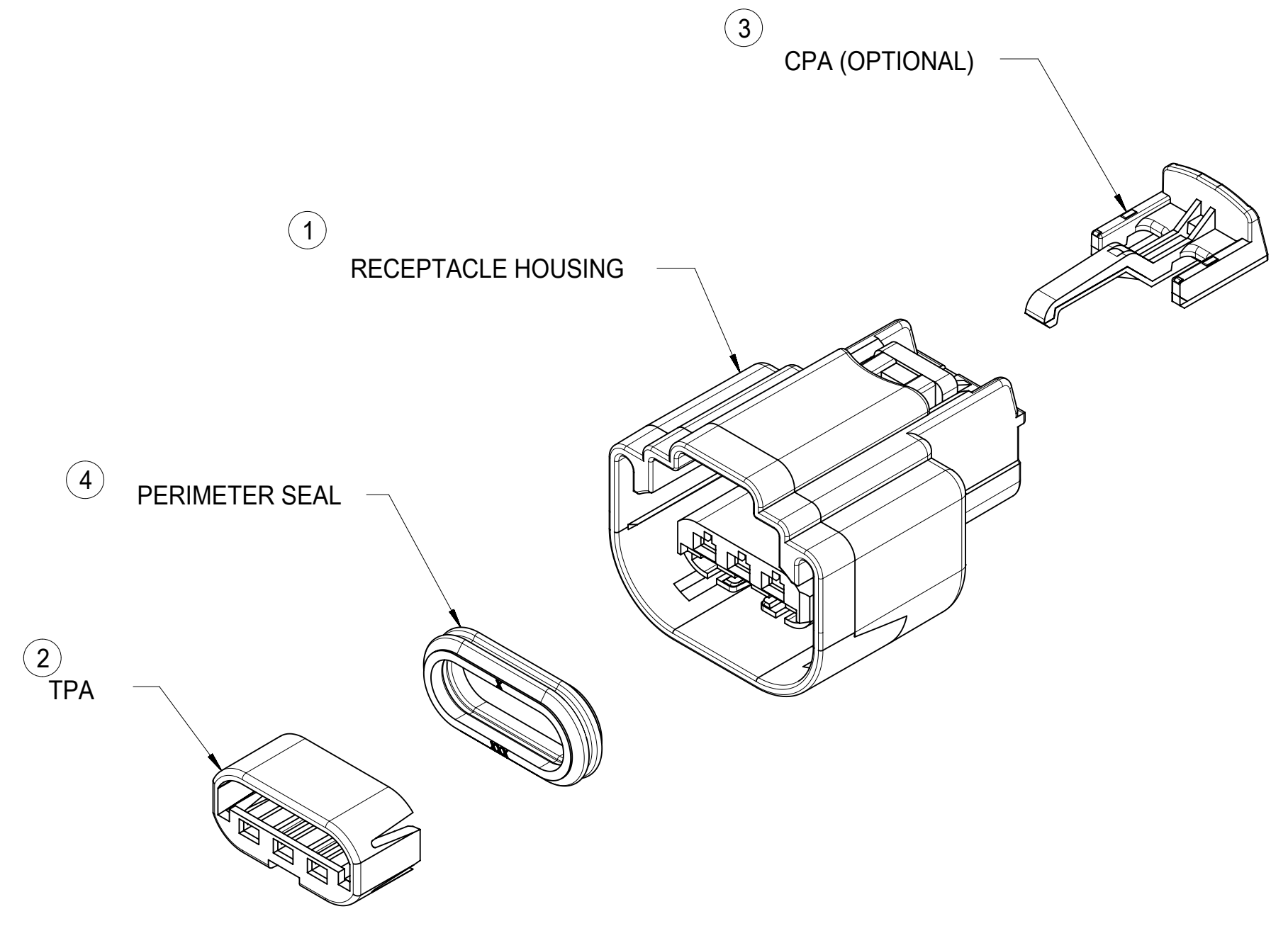
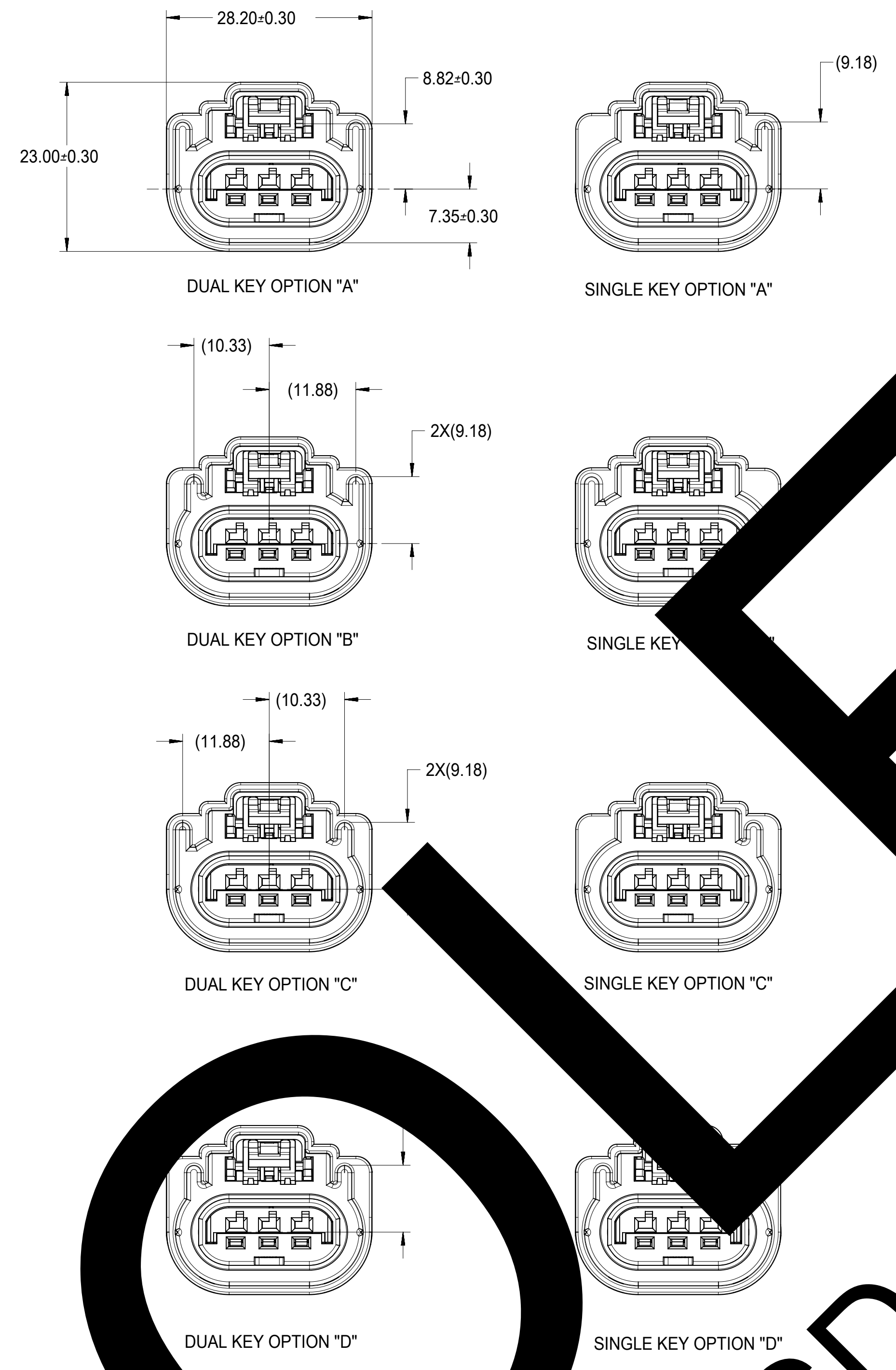
<b>SYMBOLS</b> = 0 = 0 = 0 = 0 = 0 = 0 = 0 = 0 = 0	THIS DRAWING CONTAINS INFORMATION THAT IS PROPRIETARY TO MOLEX ELECTRONIC TECHNOLOGIES, LLC AND SHOULD NOT BE USED WITHOUT WRITTEN PERMISSION		CURRENT REV DESC:		 RECEPTACLE ASSEMBLY 3-WAY USCAR CONNECTOR 1.5MM CABLE SEAL	
	DIMENSION UNITS	SCALE	EC NO: 171123			DOCUMENT NUMBER
	mm	1:1	DRWN: PXU25 2017/12/26			DOC TYPE   DOC PART   REVISION
	GENERAL TOLERANCES (UNLESS SPECIFIED)		CHK'D: KBORUSZEWSKI 2018/01/26		SD-160073-001	
	ANGULAR TOL ± 3.0°		APPR: MVANSLAMBROU 2018/02/02			
	4 PLACES ±		INITIAL REVISION:		GENERAL MARKET	
	3 PLACES ±		DRWN: CYMA 2016/07/20			
2 PLACES ± 0.1		APPR: KDEKOSKI 2017/02/08		SHEET NUMBER		
1 PLACE ± 0.3		DRAFT WHERE APPLICABLE MUST REMAIN WITHIN DIMENSIONS		5 OF 6		
0 PLACES ±		THIRD ANGLE PROJECTION	DRAWING	SERIES	MATERIAL NUMBER	
			A1-SIZE	160073	CUSTOMER	

# TERMINAL AND CABLE SEAL

22	34083-2003	RIGHT	TIN	22	E-1644-01	1.19-1.65	PINK
22	34083-3003	LEFT	TIN	22			
22	34081-2005	RIGHT	GOLD	22			
22	34081-3005	LEFT	GOLD	22	E-1644-00	1.60-2.10	GREEN
20	34083-2002	RIGHT	TIN	18/20			
20	34083-3002	LEFT	TIN	18/20			
20	34081-2004	RIGHT	GOLD	18/20			
20	34081-3004	LEFT	GOLD	18/20			
18	34083-2002	RIGHT	TIN	18/20			
18	34083-3002	LEFT	TIN	18/20	E-1644-02	2.10-2.50	YELLOW
18	34081-2004	RIGHT	GOLD	18/20			
18	34081-3004	LEFT	GOLD	18/20			
16	34083-2001	RIGHT	TIN	16	E-1644-02	2.10-2.50	YELLOW
16	34083-3001	LEFT	TIN	16			
16	34081-2003	RIGHT	GOLD	16			
16	34081-3003	LEFT	GOLD	16	QSR P/N	WIRE OD RANGE	COLOR
AWG	PART NUMBER	PAYOFF DIRECTION	PLATING	GRIP			
WIRE SIZE	CABLE SEAL (QSR)						
TERMINAL *PREFERRED* (SEE NOTE 5 FOR OPTIONAL TERMINALS)					CABLE SEAL (QSR)		

SYMBOLS	THIS DRAWING CONTAINS INFORMATION THAT IS PROPRIETARY TO MOLEX ELECTRONIC TECHNOLOGIES, LLC AND SHOULD NOT BE USED WITHOUT WRITTEN PERMISSION		CURRENT REV DESC:		molex				
= 0	DIMENSION UNITS	SCALE	EC NO: 171123 DRWN: PXU25 2017/12/26 CHK'D: KBORUSZEWSKI 2018/01/26 APPR: MVANSLAMBROU 2018/02/02		RECEPTACLE ASSEMBLY 3-WAY USCAR CONNECTOR 1.5MM CABLE SEAL				
= 0	mm	1:1							
= 0	GENERAL TOLERANCES (UNLESS SPECIFIED)		INITIAL REVISION: DRWN: CYMA 2016/07/20 APPR: KDEKOSKI 2017/02/08		PRODUCT CUSTOMER DRAWING				
= 0	ANGULAR TOL	± 3.0°							
= 0	4 PLACES	±	DOCUMENT NUMBER		SD-160073-001		DOC TYPE   DOC PART   REVISION PSD   001   R		
= 0	3 PLACES	±							
= 0	2 PLACES	± 0.1	MATERIAL NUMBER		CUSTOMER		SHEET NUMBER		
= 0	1 PLACE	± 0.3							
= 0	0 PLACES	±	THIRD ANGLE PROJECTION		DRAWING		SERIES		
= 0	DRAFT WHERE APPLICABLE MUST REMAIN WITHIN DIMENSIONS								
= 0			A1-SIZE		160073		GENERAL MARKET		
DOCUMENT STATUS			P1	RELEASE DATE		2018/02/02 15:21:24		6 OF 6	

22	34083-2003	RIGHT	TIN	22	E-1644-01	1.19-1.65	PINK
22	34083-3003	LEFT	TIN	22			
22	34081-2005	RIGHT	GOLD	22			
22	34081-3005	LEFT	GOLD	22			
20	34083-2002	RIGHT	TIN	18/20			
20	34083-3002	LEFT	TIN	18/20			
20	34081-2004	RIGHT	GOLD	18/20			
20	34081-3004	LEFT	GOLD	18/20			
18	34083-2002	RIGHT	TIN	18/20			
18	34083-3002	LEFT	TIN	18/20			
18	34081-2004	RIGHT	GOLD	18/20			
18	34081-3004	LEFT	GOLD	18/20			
16	34083-2001	RIGHT	TIN	16	E-1644-02	2.10-2.50	YELLOW
16	34083-3001	LEFT	TIN	16			
16	34081-2003	RIGHT	GOLD	16			
16	34081-3003	LEFT	GOLD	16			
AWG		PAYOFF DIRECTION	PLATING	GRIP	QSR P/N	WIRE OD RANGE	COLOR
WIRE SIZE		CABLE SEAL (QSR)					
TERMINAL *PREFERRED* (SEE NOTE 5 FOR OPTIONAL TERMINALS)							



QSR P/N	WIRE OD RANGE	COLOR	CPA	MATES W/ USCAR DUAL KEY	MATES W/ USCAR SINGLE KEY	STATUS	
1600733119	B	BLACK	YES	150-S-003-1-B01	N/A	SALEABLE	
1600733118	D	BLACK	NONE	N/A	150-S-003-1-D02	SALEABLE	
1600733117	B	BLACK	YES	150-S-003-1-B01	N/A	SALEABLE	
1600733116	D	BLACK	NONE	N/A	150-S-003-1-D02	SALEABLE	
1600733115	C	GREY	YES	N/A	150-S-003-1-C02	SALEABLE	
1600733114	B	ST GREY	YES	N/A	150-S-003-1-B02	SALEABLE	
1600733113	D	BLACK	NONE	N/A	150-S-003-1-A02	SALEABLE	
1600733112	C	ST GREY	NONE	N/A	150-S-003-1-C01	SALEABLE	
1600733111	B	DK GREY	NONE	N/A	150-S-003-1-B02	SALEABLE	
1600733110	D	LT GREY	NONE	N/A	150-S-003-1-D01	SALEABLE	
1600733109	C	DK GREY	NONE	N/A	150-S-003-1-C01	SALEABLE	
1600733108	B	LT GREY	NONE	N/A	150-S-003-1-B01	SALEABLE	
1600733107	D	BLACK	NONE	N/A	150-S-003-1-D01	SALEABLE	
1600733106	C	DK GREY	NONE	N/A	150-S-003-1-C01	SALEABLE	
1600733105	B	LT GREY	NONE	N/A	150-S-003-1-B01	SALEABLE	
1600733104	D	BLACK	NONE	N/A	150-S-003-1-D01	SALEABLE	
1600733103	C	DK GREY	NONE	N/A	150-S-003-1-C01	SALEABLE	
1600733102	B	LT GREY	NONE	N/A	150-S-003-1-B01	SALEABLE	
1600733101	A	BLACK	NONE	N/A	150-S-003-1-A01	SALEABLE	
342503068	D	BLACK	NONE	N/A	150-S-003-1-D02	SALEABLE	
342503052	D	GREY	NONE	N/A	150-S-003-1-D02	SALEABLE	
342503051	C	BROWN	NONE	N/A	150-S-003-1-C02	SALEABLE	
342503018	B	GREY	NONE	N/A	150-S-003-1-B01	SALEABLE	
342503017	A	BLACK	NONE	N/A	150-S-003-1-A01	DESIGN CONCEPT ONLY	
342503066	B	BLACK	NONE	N/A	150-S-003-1-B01	SALEABLE	
342503071	C	GREY	NONE	N/A	150-S-003-1-C01	SALEABLE	
342503037	D	BLACK	YES	N/A	150-S-003-1-D02	SALEABLE	
342503036	D	GREY	YES	N/A	150-S-003-1-D02	SALEABLE	
342503035	C	BROWN	YES	N/A	150-S-003-1-C02	SALEABLE	
342503002	B	GREY	YES	N/A	150-S-003-1-B01	SALEABLE	
342503065	B	BLACK	NONE	N/A	150-S-003-1-A01	SALEABLE	
342503001	A	BLACK	NONE	N/A	150-S-003-1-B01	SALEABLE	
342500052	D	GREY	NONE	N/A	150-S-003-1-D02	SALEABLE	
342500051	C	BROWN	NONE	N/A	150-S-003-1-C02	SALEABLE	
342500050	B	GREY	NONE	N/A	150-S-003-1-B02	DESIGN CONCEPT ONLY	
342500049	A	BLACK	NONE	N/A	150-S-003-1-A02	DESIGN CONCEPT ONLY	
342500048	D	GREY	NONE	N/A	150-S-003-1-D02	SALEABLE	
342500034	C	BROWN	YES	N/A	150-S-003-1-C02	SALEABLE	
342500033	B	GREY	YES	N/A	150-S-003-1-B02	DESIGN CONCEPT ONLY	
342500020	D	GREEN	YES	N/A	150-S-003-1-D01	DESIGN CONCEPT ONLY	
342500019	C	BROWN	NONE	N/A	150-S-003-1-C01	DESIGN CONCEPT ONLY	
342500018	B	GREY	NONE	N/A	150-S-003-1-B01	SALEABLE	
342500017	A	BLACK	NONE	N/A	150-S-003-1-A01	DESIGN CONCEPT ONLY	
342500004	D	GREEN	YES	N/A	150-S-003-1-D01	DESIGN CONCEPT ONLY	
342500003	C	BROWN	YES	N/A	150-S-003-1-C01	DESIGN CONCEPT ONLY	
342500002	B	GREY	YES	N/A	150-S-003-1-B01	SALEABLE	
342500001	A	BLACK	YES	N/A	150-S-003-1-A01	DESIGN CONCEPT ONLY	
LATCH STYLE	ASSEMBLY P/N	KEY OPTION	HSG COLOR	CPA	MATES W/ USCAR DUAL KEY	MATES W/ USCAR SINGLE KEY	STATUS

- UNLESS OTHERWISE SPECIFIED:
- PART CONFORMS TO SAE/USCAR-2 REV. 4 (05/04), EXCEPT AS FOLLOWS:
  - DESIGNED TO MATE WITH DEVICE CONNECTION AS SPECIFIED IN USCAR/EWCAP DRAWING NO 150-S-003-1-Z02. ALL OPTION A-D, REV A, DATED 10/19/99. ALSO WITH THE DEVICE CONNECTION AS SPECIFIED IN USCAR/EWCAP DRAWING NO 150-S-003-1-Z01. ALL OPTION A-D, REV D, DATED 10/15/02.
  - ASSEMBLY SHIPPED WITH TPA IN PRE-LOCK POSITION (SEE SECTION A-A PRE-LOCK). UPON FULL TERMINAL ASSEMBLY, TPA MUST BE SNAPPED INTO ITS FINAL LOCK POSITION AFTER TERMINALS ARE ASSEMBLED.
  - OPTIONAL CPA SHOWN IN ALL VIEWS. SEE TABLE FOR SPECIFIC ASSEMBLY OPTION AND NUMBER.
  - FOR PREFERRED TERMINALS SEE MOLEX DRAWING SD-34083-002 FOR OPTIONAL TERMINALS SEE MOLEX DRAWING SD-34083-001

ITEM	DESCRIPTION	COLOR	MOLEX P/N	RECYCLE CODE
1	RECEPTACLE HOUSING	SEE CHART	SEE CHART	PPE/PA GF10 (FOR 34250 SERIES) PA6 GF40 (FOR 160073 SERIES)
2	TPA	NATURAL	342520001	PBT-GF30
3	CPA	RED	340660001	PBT-GF30
4	PERIMETER SEAL	BLUE	342530001	SILICON 50 DUROMETER
		BLUE	342530002	SILICON 50 DUROMETER

THIS DRAWING CONTAINS INFORMATION THAT IS PROPRIETARY TO MOLEX ELECTRONIC TECHNOLOGIES, LLC AND SHOULD NOT BE USED WITHOUT WRITTEN PERMISSION

QUALITY SYMBOLS	<p>2017/12/07 2018/01/25</p> <p>2018/01/25 2018/01/25</p> <p>2018/01/25 2018/01/25</p>	<p>GENERAL TOLERANCES (UNLESS SPECIFIED)</p> <p>ANGULAR TOL ± °</p> <p>4 PLACES ±</p> <p>3 PLACES ±</p> <p>2 PLACES ±</p> <p>1 PLACE ±</p> <p>0 PLACES ±</p> <p>DRAFT WHERE APPLICABLE MUST REMAIN WITHIN DIMENSIONS</p>	<p>DIMENSION UNITS</p> <p>mm</p> <p>DRWN BY</p> <p>DATE</p> <p>CHK'D BY</p> <p>DATE</p> <p>APPR BY</p> <p>DATE</p> <p>DRAWING SIZE</p> <p>THIRD ANGLE PROJECTION</p>	<p>SCALE</p> <p>1:1</p> <p>2016/05/24</p> <p>2018/01/25</p> <p>E</p>	<p><b>molex</b></p> <p>RECEPTACLE ASSEMBLY 3-WAY USCAR CONNECTOR 1.5MM CABLE SEAL</p> <p>PRODUCT CUSTOMER DRAWING</p> <p>SERIES: 34250 MATERIAL NUMBER: SD-34250-002 CUSTOMER: GENERAL MARKET</p> <p>DOCUMENT NUMBER: PSD DOC PART: 000 SHEET NUMBER: 1 OF 1</p>
-----------------	--	--	--	--	--

EC NO: 171258  
DRWN: PXU25  
CHKD: KBORUSZEWSKI  
APPR: KBORUSZEWSKI  
REV: P2