

CTGS104F Series

From 10 μH to 560 μH



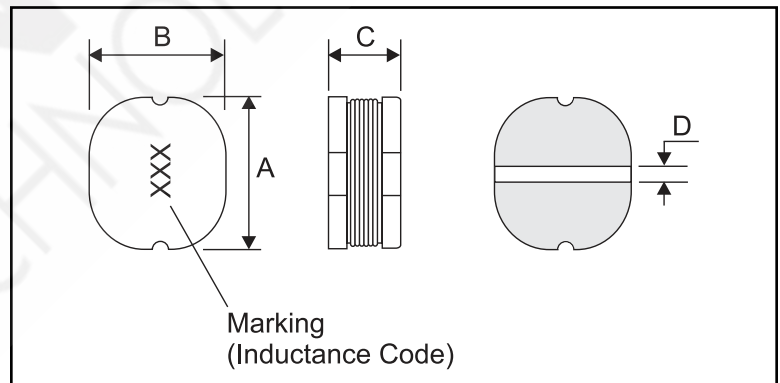
SPECIFICATIONS

Part numbers indicate available tolerance.
K = $\pm 10\%$, M = $\pm 20\%$

Part Number	Inductance (μH)	L Test Freq. (Hz)	DCR Max. (Ω)	Rated DC (A)
CTGS104F-100M	10	2.52M	0.05	2.38
CTGS104F-120M	12	2.52M	0.06	2.13
CTGS104F-150M	15	2.52M	0.07	1.87
CTGS104F-180M	18	2.52M	0.08	1.73
CTGS104F-220M	22	2.52M	0.09	1.60
CTGS104F-270M	27	2.52M	0.10	1.44
CTGS104F-330M	33	2.52M	0.12	1.26
CTGS104F-390M	39	2.52M	0.15	1.20
CTGS104F-470M	47	2.52M	0.17	1.10
CTGS104F-560K	56	2.52M	0.20	1.01
CTGS104F-680K	68	2.52M	0.22	0.91
CTGS104F-820K	82	2.52M	0.25	0.85
CTGS104F-101K	100	1.0k	0.34	0.74
CTGS104F-121K	120	1.0k	0.40	0.69
CTGS104F-151K	150	1.0k	0.54	0.61
CTGS104F-181K	180	1.0k	0.62	0.56
CTGS104F-221K	220	1.0k	0.72	0.53
CTGS104F-271K	270	1.0k	0.95	0.45
CTGS104F-331K	330	1.0k	1.10	0.42
CTGS104F-391K	390	1.0k	1.24	0.38
CTGS104F-471K	470	1.0k	1.53	0.35
CTGS104F-561K	560	1.0k	1.90	0.32

PHYSICAL DIMENSIONS

Size	A	B	C	D Typ.
mm	10.0 \pm 0.3	9.0 \pm 0.3	4.2 \pm 0.5	2.1
inches	0.39 \pm 0.012	0.35 \pm 0.012	0.17 \pm 0.020	0.083



CHARACTERISTICS

Description: SMD power inductor.

Applications: Power supplies for OA equipment, LCD televisions, PC notebooks, portable communication equipment, DC/DC converters.

Operating Temperature: -30°C to +100°C

Inductance Tolerance: $\pm 10\%$, $\pm 20\%$

Testing: Inductance is tested on an HP4284A or HP4285A at specified frequency.

Packaging: Tape & Reel.

Marking: Marked with inductance code.

Rated DC: The value of current when the inductance is 10% lower than its initial value at 0 Adc or D.C. current when at $\Delta T = 40^\circ\text{C}$ whichever is lower

Miscellaneous: RoHS Compliant.

Additional Information: Additional electrical & physical information available upon request.

Samples available. See website for ordering information.

PAD LAYOUT

