

# ME MAX 22,5 UL-UL BU - Electronic housing



2202792

<https://www.phoenixcontact.com/us/products/2202792>

Please be informed that the data shown in this PDF document is generated from our online catalog. Please find the complete data in the user documentation. Our general terms of use for downloads are valid.



DIN rail housing, without vents, width: 22.6 mm, height: 99 mm, depth: 113.65 mm, color: blue (5015), cross connection: DIN rail connector (optional), number of positions cross connector: 5

## Commercial data

Item number	2202792
Packing unit	1 pc
Minimum order quantity	250 pc
Note	Made to order (non-returnable)
Sales key	AC08
Product key	ACHABA
GTIN	4055626298702
Weight per piece (including packing)	65.95 g
Weight per piece (excluding packing)	49.6 g
Customs tariff number	85389099
Country of origin	DE

# ME MAX 22,5 UL-UL BU - Electronic housing

2202792

<https://www.phoenixcontact.com/us/products/2202792>

## Technical data


### Notes

General	Refer to the data sheet for the range in the download area.
General	Material of contact pads for bus connector, galvanic gold (hard gold)

### Product properties

Product type	Complete housing
Housing type	DIN rail housing
Ventilation openings present	yes
Housing series	ME-MAX

### Dimensions

Dimensional drawing	
Width	22.6 mm
Height	99 mm
Depth	113.65 mm
Depth from top edge of DIN rail	107 mm

### PCB design

PCB thickness	1.4 mm ... 1.8 mm
---------------	-------------------

### Material specifications

Color	blue (5015)
Flammability rating according to UL 94	V0
CTI according to IEC 60112	600
Surface characteristics	untreated
Housing material	Polyamide

### Environmental and real-life conditions

#### Ambient conditions

Max. IP code to attain	IP20
Ambient temperature (operation)	-40 °C ... 105 °C (depending on power dissipation)
Ambient temperature (storage/transport)	-40 °C ... 55 °C
Ambient temperature (assembly)	-5 °C ... 100 °C
Relative humidity (storage/transport)	80 %

# ME MAX 22,5 UL-UL BU - Electronic housing



2202792

<https://www.phoenixcontact.com/us/products/2202792>

## PCB data

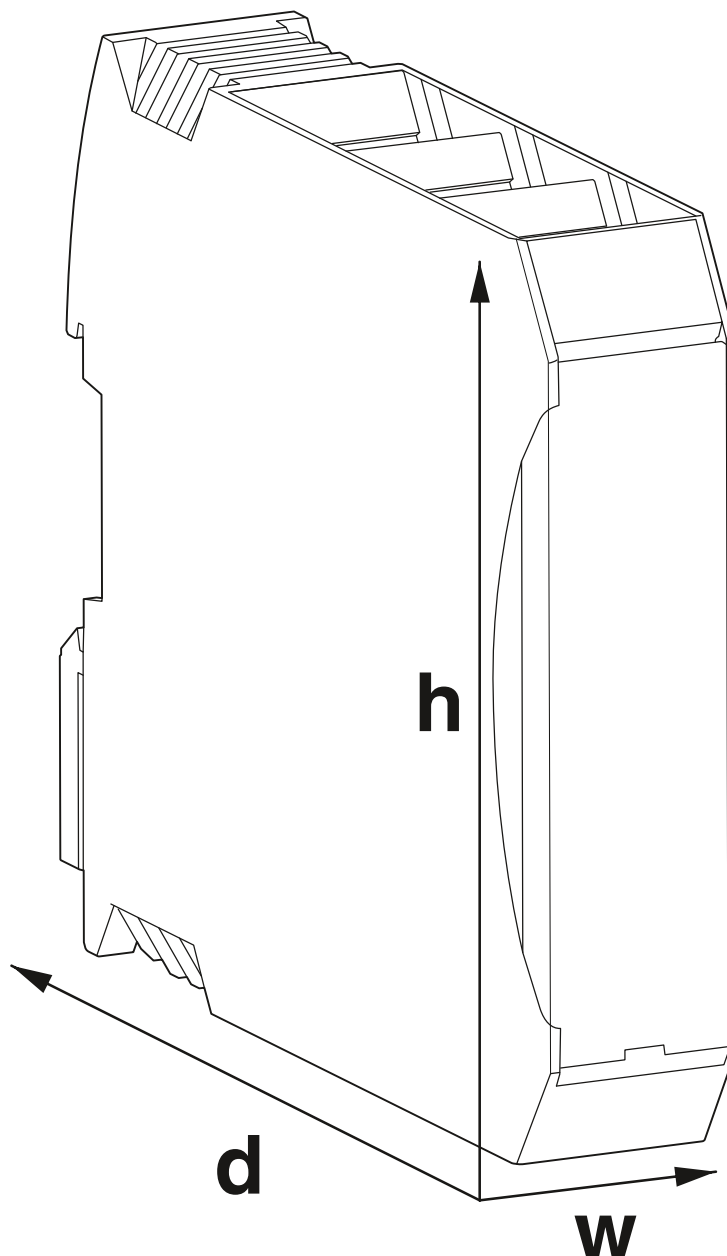
Number of PCB holders	1
Type of PCB mount	Latching
Thickness of the PCB	1.4 mm ... 1.8 mm

## Mounting

Mounting type	DIN rail mounting
Mounting position	Vertical (horizontal DIN rail)

## Drawings

Dimensional drawing



Schematic figure for illustrating the item dimensions. The figure is not of the desired product. For further details, refer to the product drawings in the "Downloads" tab.

# ME MAX 22,5 UL-UL BU - Electronic housing



2202792

<https://www.phoenixcontact.com/us/products/2202792>

## Classifications

### ECLASS

ECLASS-11.0

27182702

### ETIM

ETIM 7.0

EC001031

### UNSPSC

UNSPSC 21.0

31261501

# ME MAX 22,5 UL-UL BU - Electronic housing



2202792

<https://www.phoenixcontact.com/us/products/2202792>

## Environmental product compliance

China RoHS	Environmentally friendly use period: unlimited = EFUP-e
	No hazardous substances above threshold values

Phoenix Contact 2023 © - all rights reserved  
<https://www.phoenixcontact.com>

Phoenix Contact USA  
586 Fulling Mill Road  
Middletown, PA 17057, United States  
(+717) 944-1300  
[info@phoenixcon.com](mailto:info@phoenixcon.com)