



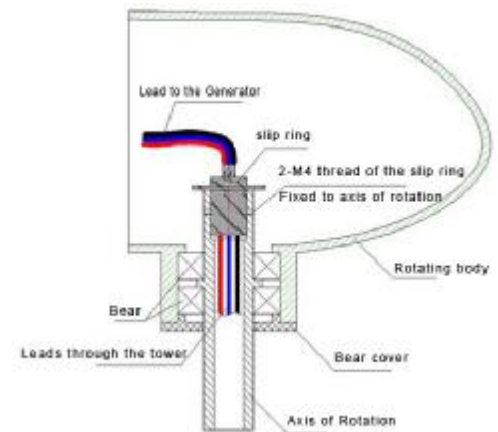
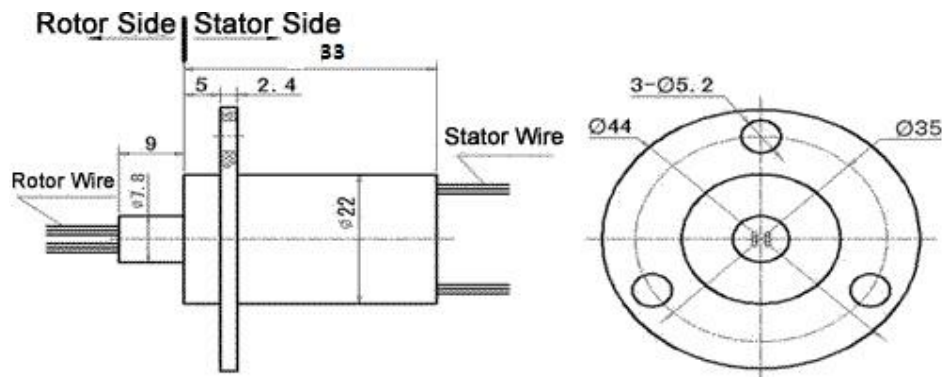
SNF-3P

Body Diameter: 22.00mm , Length: 33.00mm (lead wires color: black, red, yellow)

SNF-3P are mainly be used in any electromechanical system that requires, unrestrained, continuous rotation while transferring high current 15A from a stationary to a rotating structure. using SenRing's fiber brush technology which offers several advantages over conventional slip ring contacts including multiple points of contact per brush bundle, low contact force per fiber and low contact wear rates.

SNF-3P is specially designed for small wind turbine installation.

SNF-3P Dimensions



SNF-3P Specifications

Circuits	3
Rated Current	10A
Peak Current	25A
Volt	380VAC/VDC
Working speed	250RPM
Wire Specifications	Awg 16
Contact Material	Precious metal brush, Silver plated rings
Lead Wire Length	Standard 250mm(9.843inch)
Dielectric Strength	$\geq 500V@50Hz$ between each circuit
Insulation Resistance	$800M\Omega@ 380VDC$
Electrical Noise	1.5m Ω Min
Protection	IP54

**Please note that the operational life of the unit is dependent upon rotational speed, environment and temperature.
The operating life $\geq 120,000,000$ runs ref.

Features:

1. 10 Amps per conductor.
2. Up to 250 rpm.
3. Precious metal brush, Silver plated rings
4. 380V AC/DC per circuit.
5. High quality precision ball bearing.

Type Application

- Wind turbine generator