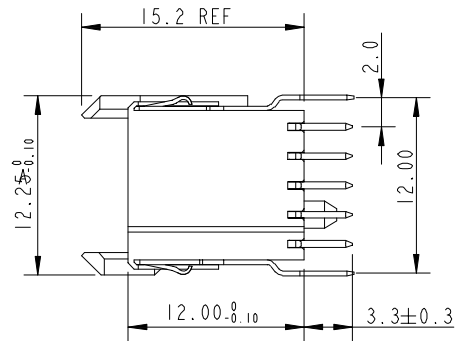
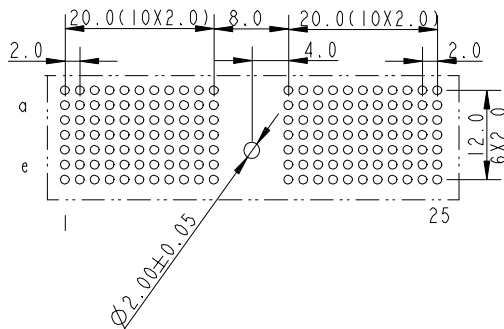
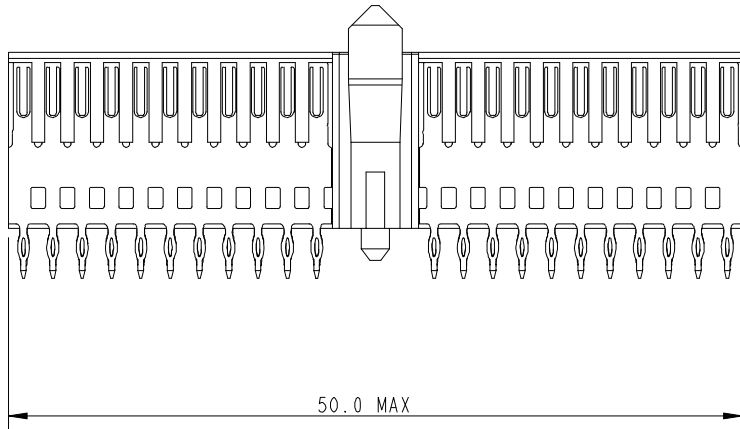
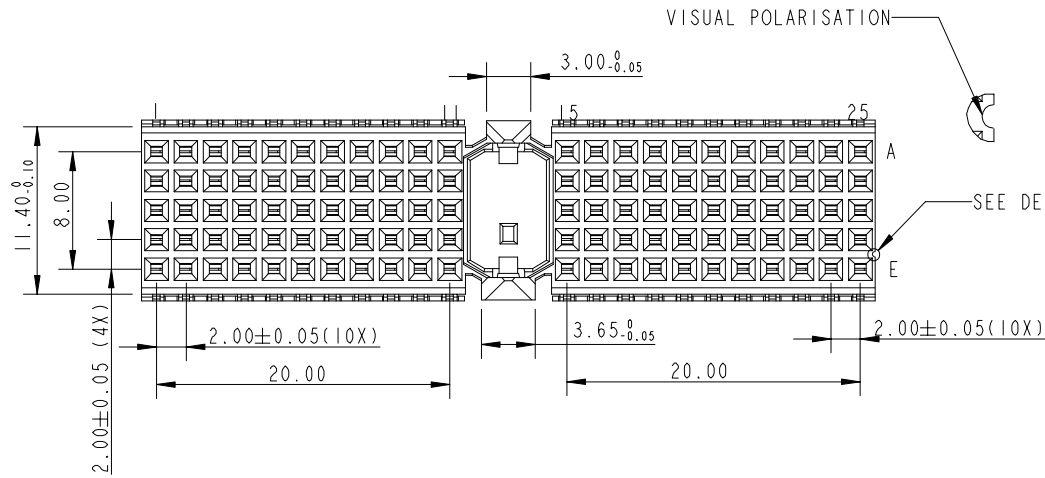


Tous droits strictement réservés. Reproduction ou communication à des tiers interdite sous quelque forme que ce soit sans autorisation écrite du propriétaire. Propriété de c FCI. Droits de reproduction FCI.



All rights strictly reserved. Reproduction or issue to third parties in any form whatsoever is not permitted without written authority from the proprietor. Property of FCI. Copyright FCI.



PERFORMANCE CHARACTERISTICS

CURRENT RATING 1.5A AT 20°C (FULLY LOADED)
 1 A AT 70°C (FULLY LOADED)
 RATED VOLTAGE : 500 V AC (CONT /CONT)
 OPERATING TEMPERATURE : -55°C TO 125°C
 CONTACT RESISTANCE 20 mΩ MAX
 INSERTION FORCE : 0.75N MAX/CONT
 EXTRACTION FORCE : 0.15N MIN/CONT
 INSULATION RESISTANCE : 10⁴ MΩ MIN

NOTES 1. " " LEAD FREE INDICATOR : LF=LEAD FREE

- PERFORMANCE LEVEL INDICATOR (REF DWG NO. BSC 201844.003)
- THIS PRODUCT IS CSA APPROVED. THIS PRODUCT IS UL RECOGNIZED.
 - FOR RECOMMENDED PTH DIMENSIONS REFER DRAWING : BS.A.201572.001
 - THIS PRODUCT (LF) MEETS EUROPEAN UNION DIRECTIVES AND OTHER COUNTRY REGULATIONS AS DESCRIBED IN GS-22-008

Material		Spec ref	
Mat code		tolerance	projection
Heat treat	✓	1 DEC±0.2 1 DEC 2 DEC±0.1 2 DEC ANGLES±1° HOEKEN	MM
Plating/Finish		Dr W.Panis	27-01-95
Dr	W.Panis	27-01-95	Product family MILLIPACS
Eng			Model Name
Chr			Model Revision
Appr			REL Level
size	A4	Scale	2.000
Rev.	C		
FCI	title	MILLIPACS 2/TYPE A/SHIELDED	dwg no
			BSC201907004
Pro/E file	catalog no	HM2S01PE5101----	CUSTOMER DRAWING
			sheet 1 of 1

rev	ecn no	dr	date
A	CONVERSION REVISION 00	KN	14-09-01
B	DG05-0278	Kason	02-08-05
C	DG10-0110	NZ	2010.9.3
-	-	-	-
-	-	-	-
-	-	-	-