

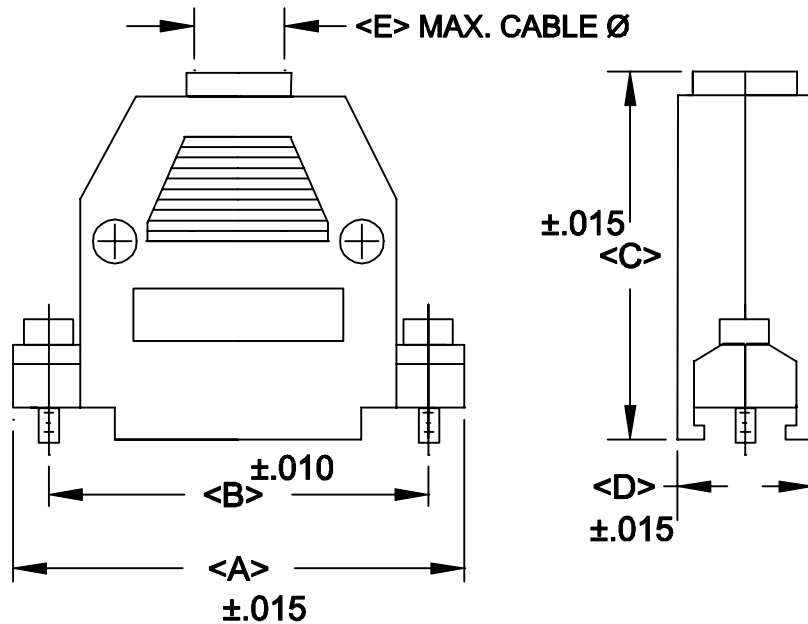
DESCRIPTION: **977 SERIES D-SUB BACKSHELL**

**BACKSHELL KIT INCLUDES:**

- (2) BACKSHELL HALVES
- (2) HOUSING SCREWS
- (2) HOUSING NUTS
- (2) 4-40 MOUNTING SCREWS
- (2) SADDLE WASHERS
- (2) STRAIN RELIEF CLAMPS
- (2) STRAIN RELIEF SCREWS

977-XXX-XXX-XX1

SERIES \_\_\_\_\_  
 POSITIONS \_\_\_\_\_  
 009  
 015  
 025  
 037  
 050  
 MATERIAL \_\_\_\_\_  
 010 = PLASTIC  
 020 = METALIZED PLASTIC  
 COLOR: \_\_\_\_\_  
 03 = GREY  
 12 = NICKEL OVER COPPER  
 PUT-UPS \_\_\_\_\_  
 1 = KIT



POSITION:	A	B	C	D	E
9	1.213	.984	1.594	.646	.275
	30.81	24.99	40.49	16.41	6.99
15	1.563	1.312	1.453	.646	.400
	39.70	33.32	36.91	16.41	10.16
25	2.165	1.852	1.752	.646	.435
	54.99	47.04	44.50	16.41	11.05
37	2.736	2.500	2.096	.984	.535
	69.49	62.50	53.24	24.99	13.59
50	2.640	2.406	1.750	.731	.450
	67.06	61.11	44.45	18.57	11.43

**METALIZED PLASTIC:**

MATERIAL: ABS HIGH TEMPERATURE PLASTIC 94HB

METALIZED PLATING: CHROME

**PLASTIC:**

MATERIAL: ABS HIGH TEMPERATURE PLASTIC 94HB



THESE DRAWINGS AND SPECIFICATIONS ARE THE PROPERTY OF NorComp AND SHALL NOT BE REPRODUCED, COPIED OR USED AS THE BASIS FOR THE MANUFACTURE OR SALE OF APPARATUS WITHOUT WRITTEN PERMISSION.

DRAWN: **PAM JENKINS**

DATE: **8-7-98**

CHECKED:

DATE:

**NorComp**

SCALE \_\_\_\_\_ SHEET OF \_\_\_\_\_ REV **4**

DWG NO. **977-XXX-XXX-XX1**