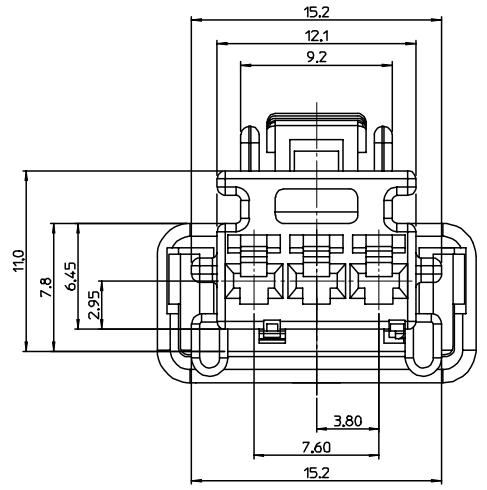
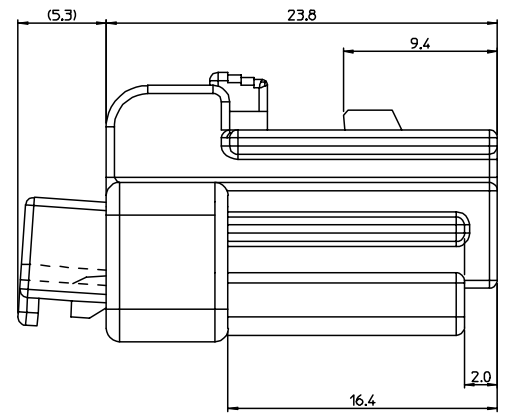
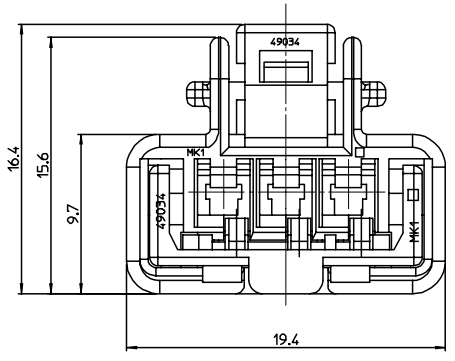
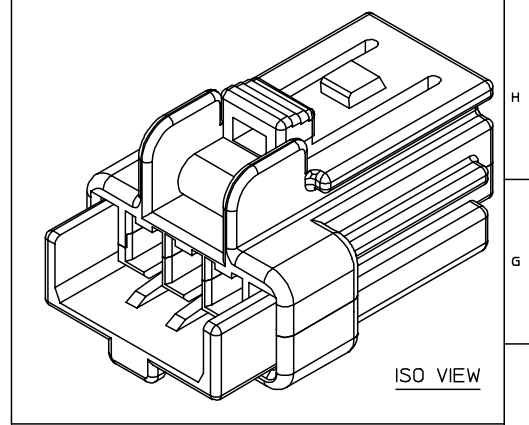
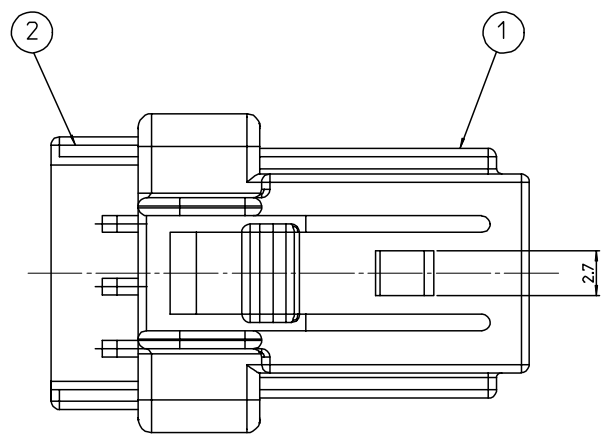


DWG. NO. SD-49034-001
 PROJECT NO. SD-49034-001
 SIMILAR ITEM
 DO NOT SCALE DRAWING
 DIMENSION IN METRIC

12 11 10 9 8 7 6 5 4 3 2 1



<NOTE>

1. MATERIAL : SEE TABLE
2. MATING CONNECTOR : 49033-0310
3. APPLICABLE TERMINAL : 35421-6*02

| NO. | PART NO. | PART NAME | MATERIAL | COLOR |
|-----|----------------|---------------|-----------|---------|
| 1 | (A) 49034-0390 | .090 F/HSG 3P | POLYESTER | NATURAL |
| | (B) 49034-0395 | .090 F/HSG 3P | POLYESTER | GRAY |
| 2 | (C) 49034-0381 | .090 F/TPA 3P | POLYESTER | BLACK |

| | | | | | | |
|---|--------------------------------------|--|--|--|---------------------------|--|
| MATERIAL NO. | ENG. NO. | REMARKS | DIMENSIONS: | | SHT | REV. |
| 490340310 | 49034-0310 | (A) + (C) | <input type="checkbox"/> INCH | <input type="checkbox"/> MM | | |
| 490340315 | 49034-0315 | (B) + (C) | <input type="checkbox"/> INCH | <input type="checkbox"/> MM | | |
| NEW RELEASED ECN NO. KOR2004-0092 DRAWN:HMJ 04/01/27 CHK:K.C.YOON 04/01/27 APPLICABLE | QUALITY SYMBOLS MAJOR CRITICAL | GENERAL TOLERANCES (UNLESS SPECIFIED) | SCALE 5:1 | DESIGN UNITS <input checked="" type="checkbox"/> MM <input type="checkbox"/> INCH | THIRD ANGLE PROJECTION | TITLE .090-II W/W FEMALE HSG ASS'Y 3P |
| | | 4 PLACES ±0.1 ± | DRAWN BY & DATE SJM/KM 03/12/10 | | | |
| | | 3 PLACES ±0.1 ± | CHECKED BY & DATE B.C.YOON 03/12/10 | | | |
| | | 2 PLACES ±0.20 ± | APPROVED BY & DATE C.W.LEE 03/12/10 | | | |
| | | 1 PLACE ±0.30 ± | CAD FILENAME SD49034.M | | | |
| | | ANGULAR: ± 1 ° | MATERIAL NO. SEE TABLE | DRAWING NO. SD-49034-001 | SHEET NO. 1 OF 1 | |
| REV | | DRAFT WHERE APPLICABLE MUST REMAIN WITHIN DIMENSIONS | THIS DRAWING CONTAINS INFORMATION THAT IS PROPRIETARY TO MOLEX INCORPORATED AND SHOULD NOT BE USED WITHOUT WRITTEN PERMISSION. | | SIZE C | |
| | | | | | | KOREA MX-A2 |

12 11 10 9 8 7 6 5 4 3 2 1