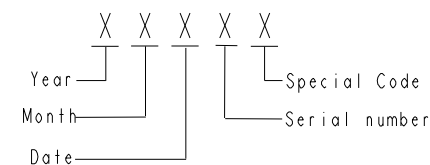
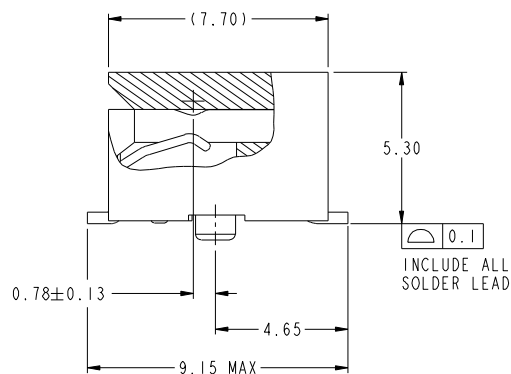
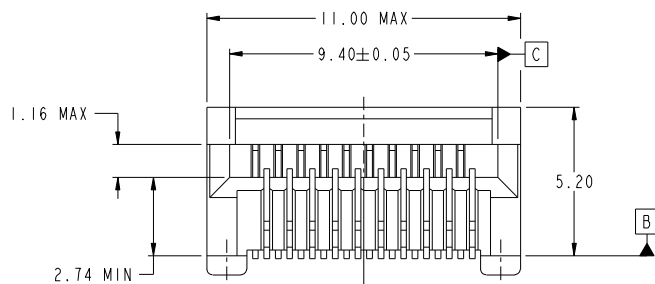
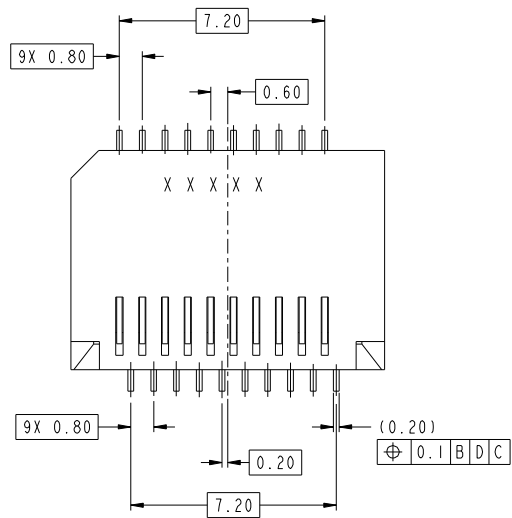
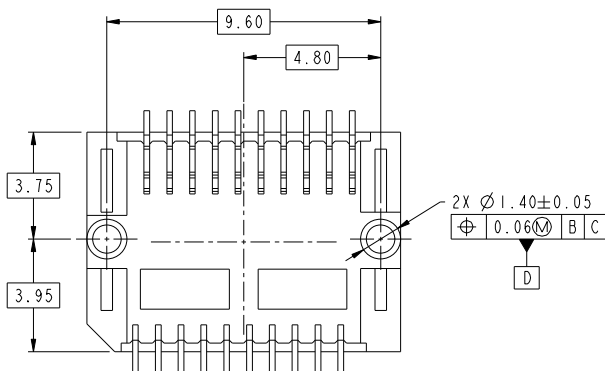


|                |                      |               |
|----------------|----------------------|---------------|
| PRODUCT NUMBER | CONTACT AREA PLATING | PACKAGING     |
| 10099099-111LF | 0.76µm Au            | TAPE AND REEL |



DATE CODE DESCRIPTION



NOTES:

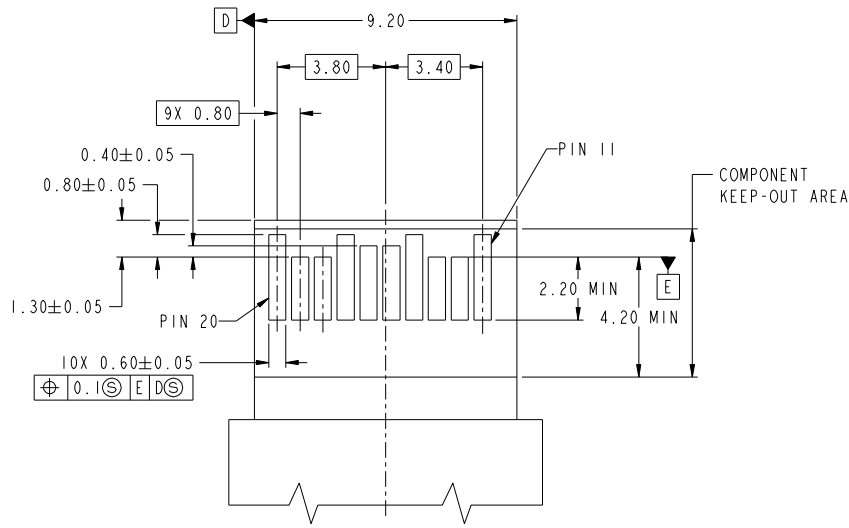
1. MATERIAL:  
HOUSING: THERMOPLASTIC, BLACK, UL 94V-0.  
CONTACT: PHOSPHOR BRONZE.
2. PLATING:  
UNDERPLATE: 1.27µm MIN NICKEL OVER ALL  
SOLDER AREA: 3.81µm MIN TIN(LEAD FREE)  
MATING AREA: SEE PRODUCT NUMBER TABLE.
3. DESIGNED TO CONFORM WITH SFP+ MSA SPECIFICATION.
4. PRODUCT SPECIFICATION: GS-12-616
5. APPLICATION SPECIFICATION: GS-20-125
6. PRODUCT MEETS EUROPEAN UNION DIRECTIVES AND OTHER COUNTRY REGULATIONS AS DESCRIBED IN GS-22-008.
7. DATE CODE BE PRINTED ON PROPER SURFACE.

Copyright FCI.

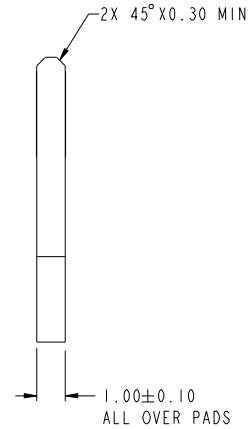
| rev | ecr no   | dr   | date       |
|-----|----------|------|------------|
| A   | V09-0442 | SM   | 2009-12-07 |
| B   | N10-0376 | ANDY | 2010-11-23 |
| -   | -        | -    | -          |
| -   | -        | -    | -          |
| -   | -        | -    | -          |

|                                       |         |            |                |            |              |
|---------------------------------------|---------|------------|----------------|------------|--------------|
| www.fciconnect.com                    |         | surface    | tolerance std  | projection | MM           |
|                                       |         | ASME Y14.5 | ASME Y14.5     |            |              |
| TOLERANCES UNLESS OTHERWISE SPECIFIED |         |            |                |            |              |
| Dr                                    | S. MANI | 2009-04-08 | ANGULAR        | 0.x        | ±0.2         |
| Eng                                   | M. GRAY | 2009-05-21 | LINEAR         | 0.xx       | ±0.15        |
| Chr                                   | M. GRAY | 2009-05-21 | 0°             | 0.xxx      | ±            |
| Appr                                  | M. GRAY | 2009-05-21 | Product family |            | SFP+         |
| Product family                        |         |            |                | Spec ref   | RELEASE      |
| FCI                                   |         |            |                | 10099099   | Rev. B       |
| SPP+ 20 POSITION STANDARD TYPE        |         |            |                | 10099099   | B            |
| catalog no                            |         |            |                | CUSTOMER   | sheet 1 of 3 |

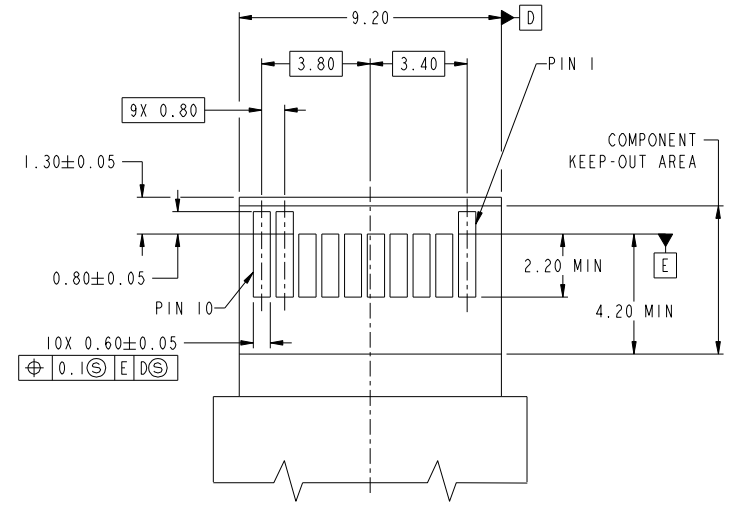
PRODUCT NUMBER  
10099099-111LF



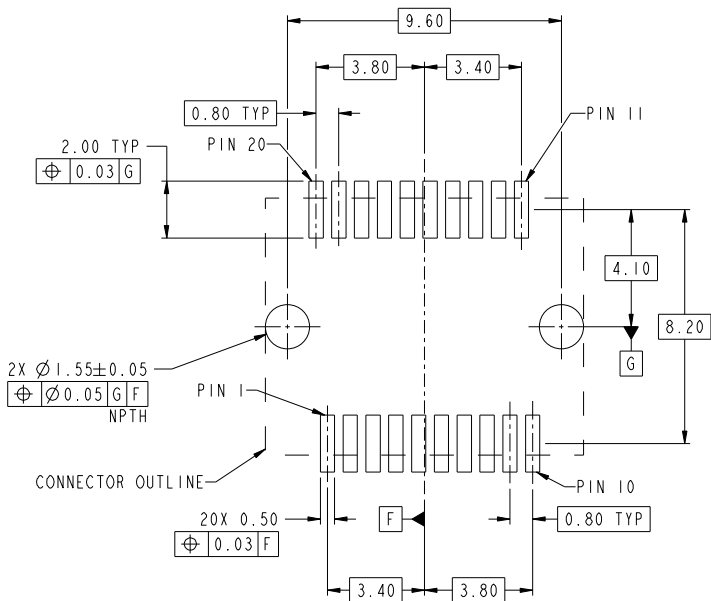
TOP VIEW OF BOARD



RECOMMENDED MATING PCB CONFIGURATION



BOTTOM VIEW OF BOARD

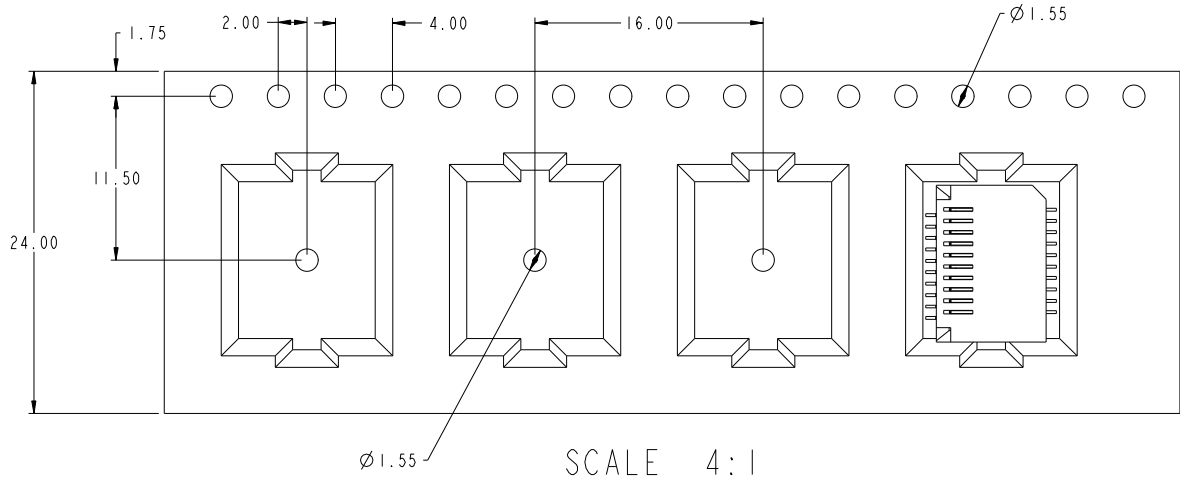


RECOMMENDED PCB CONFIGURATION

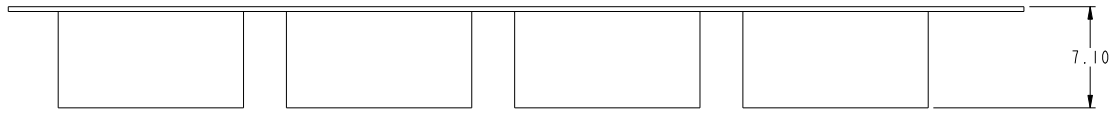
Copyright FCI.  
FCI

|                    |         |                                       |                             |            |              |
|--------------------|---------|---------------------------------------|-----------------------------|------------|--------------|
| www.fciconnect.com |         | surface<br>ASME Y14.5                 | tolerance std<br>ASME Y14.5 | projection | MM           |
|                    |         | TOLERANCES UNLESS OTHERWISE SPECIFIED |                             |            |              |
| Dr                 | S. MANI | 2009-04-08                            | ANGULAR                     | 0.x        | ±0.2         |
| Eng                | M. GRAY | 2009-05-21                            | LINEAR                      | 0.xx       | ±0.15        |
| Chr                | M. GRAY | 2009-05-21                            | 0°                          | 0.xxx      | ±            |
| Appr               | M. GRAY | 2009-05-21                            | Product family              | SFP+       | Spec ref     |
| FCI                |         | SFP+ 20 POSITION                      |                             | size       | A2           |
| STANDARD TYPE      |         | catalog no                            |                             | ECN        | N10-0376     |
|                    |         |                                       |                             | Rev.       | B            |
|                    |         | CUSTOMER                              |                             | 10099099   | sheet 2 of 3 |

# TAPE-ON-REEL PACKAGING TYPE



UN-REELING DIRECTION OF FEED 



Copyright FCI. FCI

|                                       |         |                       |                             |                          |              |
|---------------------------------------|---------|-----------------------|-----------------------------|--------------------------|--------------|
| www.fciconnect.com                    |         | surface<br>ASME Y14.5 | tolerance std<br>ASME Y14.5 | projection<br>ASME Y14.5 | MM           |
| TOLERANCES UNLESS OTHERWISE SPECIFIED |         |                       |                             |                          |              |
| Dr                                    | S. MANI | 2009-04-08            | ANGULAR                     | 0.x                      | ±0.2         |
| Eng                                   | M. GRAY | 2009-05-21            | LINEAR                      | 0.xx                     | ±0.15        |
| Chr                                   | M. GRAY | 2009-05-21            | 0° ±1"                      | 0.xxx                    | ±            |
| Appr                                  | M. GRAY | 2009-05-21            | Product family              | SFP+                     | Spec ref     |
| FCI                                   |         | SPP+ 20 POSITION      |                             | 10099099                 | Rev.         |
| STANDARD TYPE                         |         | catalog no            |                             | CUSTOMER                 | sheet 3 of 3 |