

- 1
- 2
- 3
- 4
- 5
- 6
- 7
- 8
- 9
- 10
- 11
- 12
- 13
- 14
- 15
- 16
- 17
- 18

1 OVAL MOUNTING FLANGE AND TAPPED BOSS

Zinc-plated steel.

2 VIBRATION-DAMPING BODY

Natural rubber NR, black colour.
Hardness 40 and 60 Shore A ± 5 .

FEATURES AND APPLICATIONS

DVG vibration-damping elements are generally used in combination with DVI vibration-damping elements to protect the electrical panel from surrounding vibrations (Fig.1).

Particularly suitable for the support of fans or other wall mounted vibrating equipment.

They can be used to support tubes or ceiling mounted equipment (Fig.2).

SPECIAL EXECUTIONS ON REQUEST

NR natural rubber executions with different hardness.



Fig.1

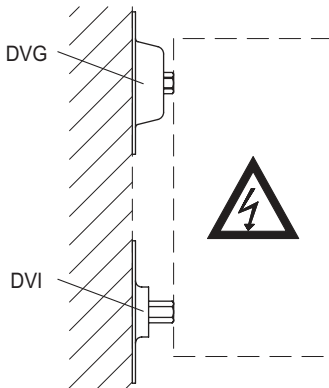
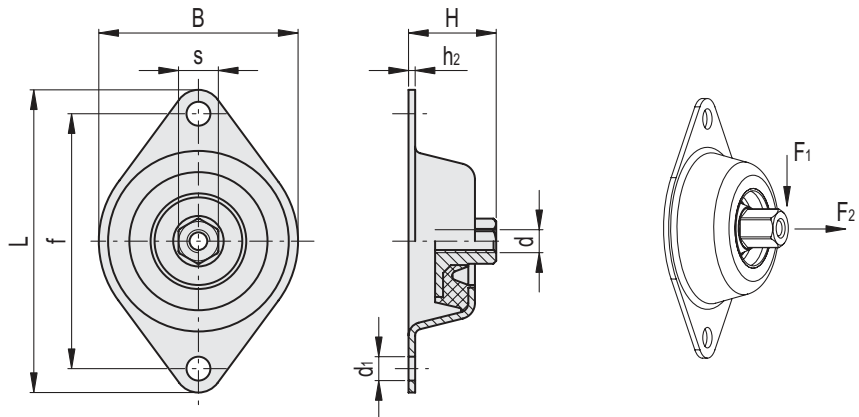
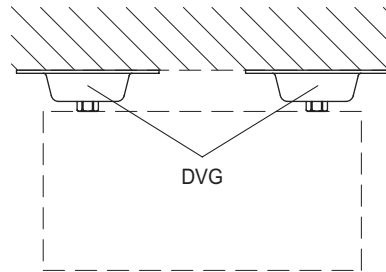


Fig.2



Conversion Table	
1 mm = 0.039 inch	
L	
mm	inch
114	4.49

Code	Description	B	L	H	d	d1	h2	s	f	F1 [N]	F2 [N]	⚖
436001	DVG-M8-A-40	75	114	33	M8	9	2.5	15	96	80	800	213
436006	DVG-M8-A-60	75	114	33	M8	9	2.5	15	96	200	1800	213