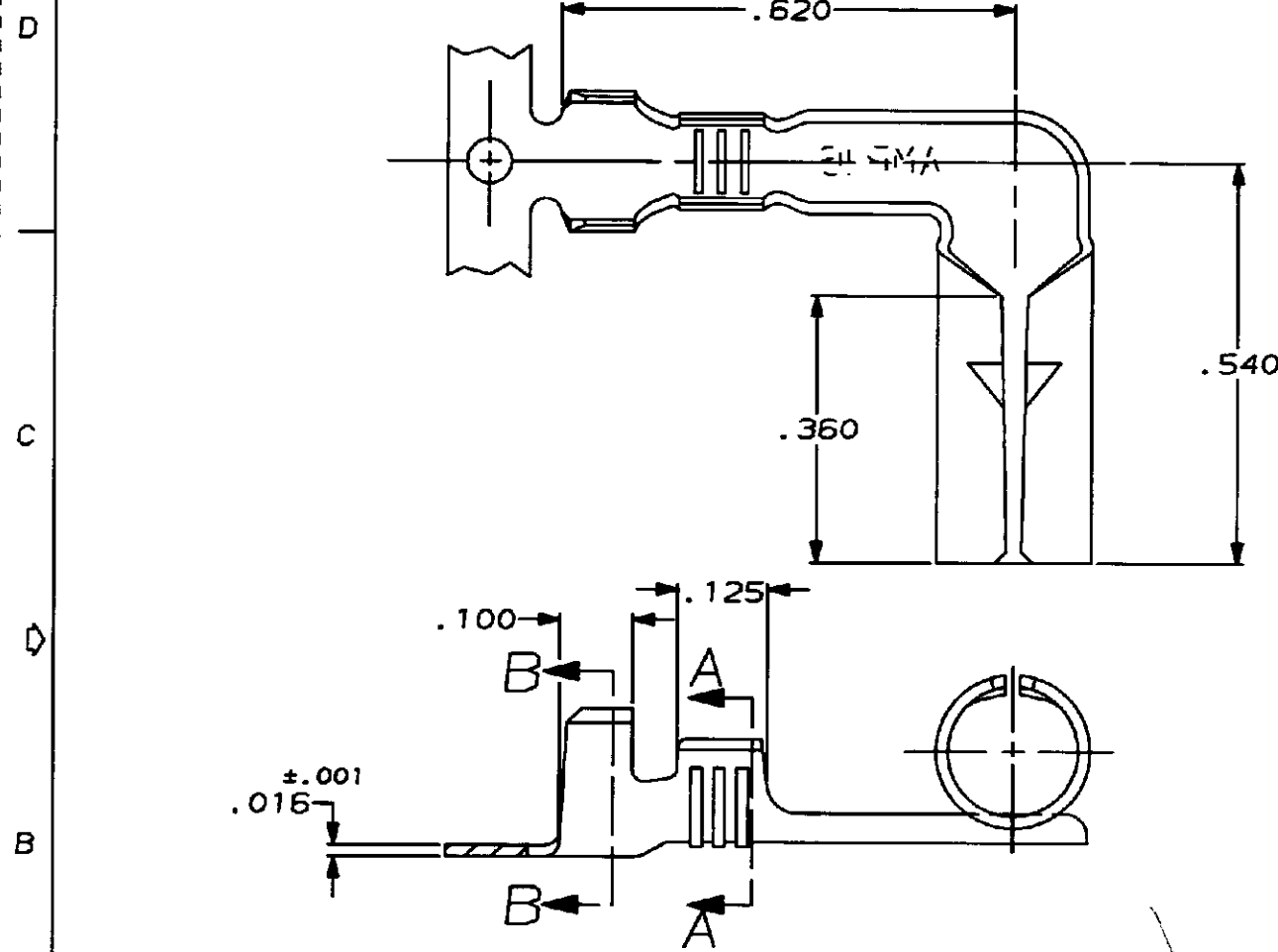
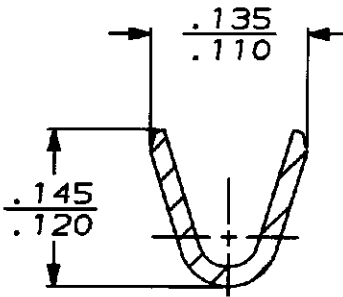


4
DRAWING MADE IN THIRD ANGLE PROJECTION
THIS DRAWING IS UNPUBLISHED. RELEASED FOR PUBLICATION .19
© COPYRIGHT 19 BY AMP INCORPORATED. ALL INTERNATIONAL RIGHTS RESERVED.

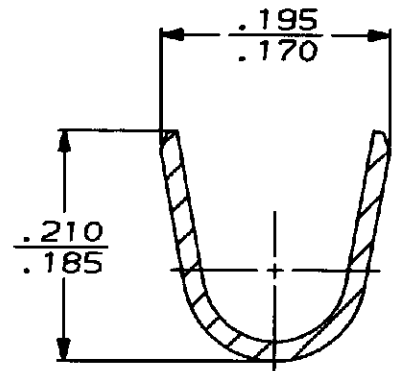
LOC	DIST	P	F	ZONE	LTR	DESCRIPTION	DATE	APPD
AF	50				G	ADDED -3 PER AF-7991	5/18/92	PF/GY



1 CONTINUOUS STRIP ON REELS
2 REVERSED REELED



SECTION A-A
SCALE 8:1



SECTION B-B
SCALE 8:1

2	.100-.140 DIA	20-16 AWG	42700-3
	.100-.140 DIA	20-16 AWG	42700-1

TYPE	WIDTH	STRIP LENGTH ±.015	TYPE	WIDTH	±.002 HEIGHT	WIRE
F	.155	.190	F	.090	.065	16
					.057	18
					.053	20
INSUL BARREL CRIMP			WIRE BARREL CRIMP			

DO NOT SCALE PRINT. UNLESS SPECIFIED DIMENSIONS IN INCHES TOLERANCES ON:
2 PLC DEC ± .015
3 PLC DEC ± .015
ANGLES ± .5°
MATERIAL #4 HARD BRASS
FINISH

DR 5/2/90 P FORTNEY	AMP AMP Incorporated Harrisburg, PA 17105-3608
CHK 5/2/90 JR BLUTH	
APPD 5/2/90 B YETTER	
APPD 5/2/90 R KUZO	
PRODUCT SPEC	NAME PIN RECEPTACLE, .180 DIA
APPLICATION SPEC	SIZE B
WEIGHT	CASE CODE 00779
	DRAWING NO 42700
	SCALE 5:1
	SHEET 1 OF 1