

Tous droits strictement réservés. Reproduction ou communication à des tiers interdite sous quelque forme que ce soit sans autorisation écrite du propriétaire. © FCI b.v.

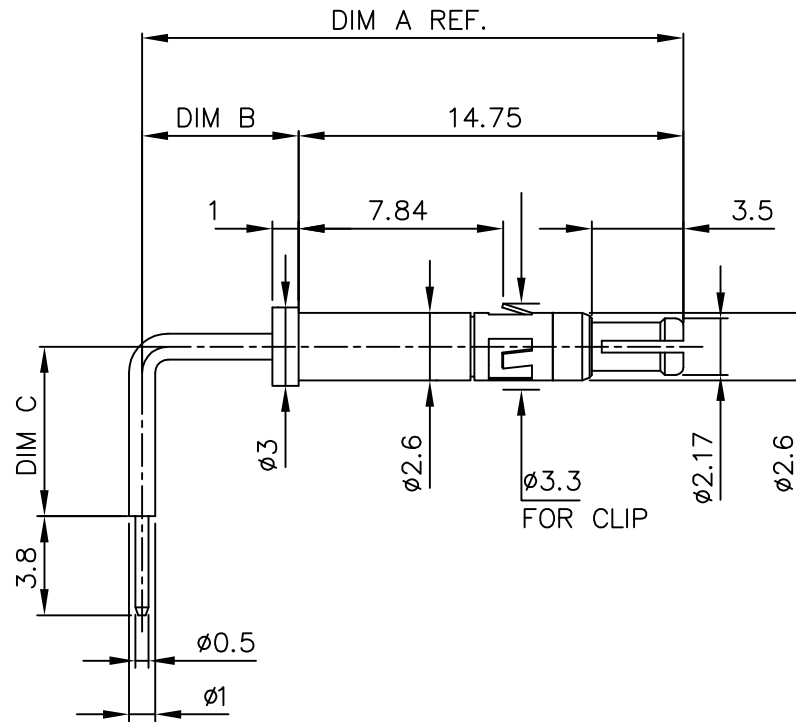
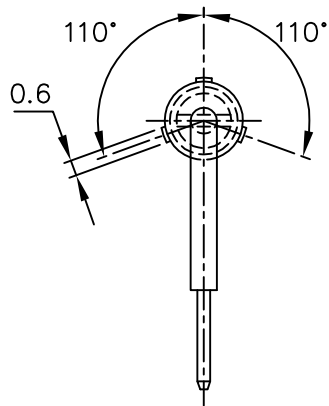


Reproduction or issue to third parties in any form, whatever is not permitted without written authority from the proprietor. © FCI b.v.

Reproduction or issue to third parties in any form, whatever is not permitted without written authority from the proprietor. © FCI b.v.

D

Product number	DIM A	DIM B	DIM C
85975-001LF	18.75	4	2.5
85975-002LF	20.75	6	6.5



NOTES:

1. THIS PRODUCT WITH "LF" SUFFIX MEETS EUROPEAN UNION DIRECTIVES AND OTHER COUNTRY REGULATIONS AS DESCRIBED IN GS -22-008.
2. THE PRODUCT WILL WITHSTAND EXPOSURE TO 260 DEGREE PEAK TEMPERATURE TO 30 SECONDS IN A WAVE SOLDER APPLICATION WITH A 1.6 mm MINIMUM THICK PCB

mat'l. code		tolerances unless otherwise specified		CUSTOMER COPY		<b>ELECTRONICS</b> www.fciconnect.com	
ltr	ecn no	dr	date	projection		title	
A	H60468	RDK	960723	linear		MINI POWER	
B	H70513	DDB	970808	angles		RA HDR CONTACT	
C	bg05-0406	CLU	051021	mm		product family	
sheet index		revision C		scale		ETRAL(tm)	
sheet 1		1		5:1		code	
						213	
						sheet	
						1 of 1	