

MATERIALS AND FINISHES:

BODY: ZINC ALLOY
 PLATED: TIN (100 μ-in MIN) OVER
 NICKEL (100 μ-in MIN) OVER
 COPPER (200 μ-in MIN)

CONTACT: BRASS
 PLATED: GOLD (5 μ-in MIN) OVER
 NICKEL (50 μ-in MIN)

INSULATOR: PTFE

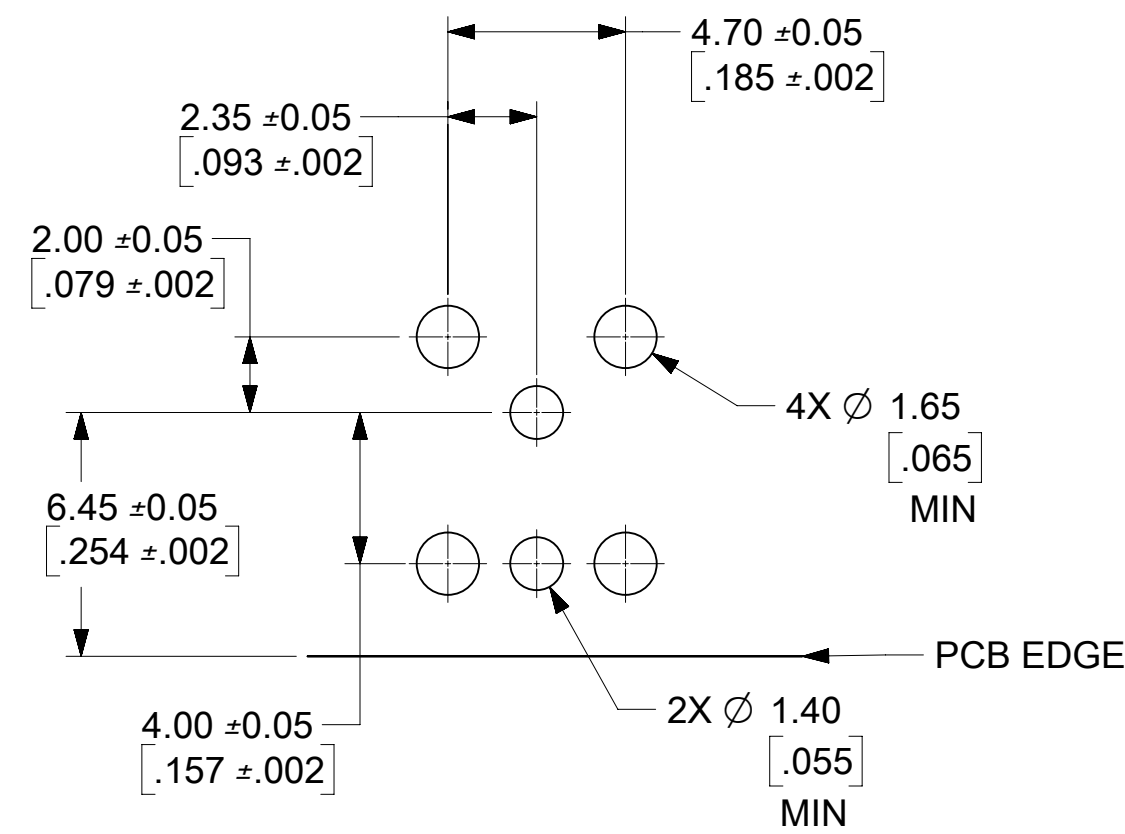
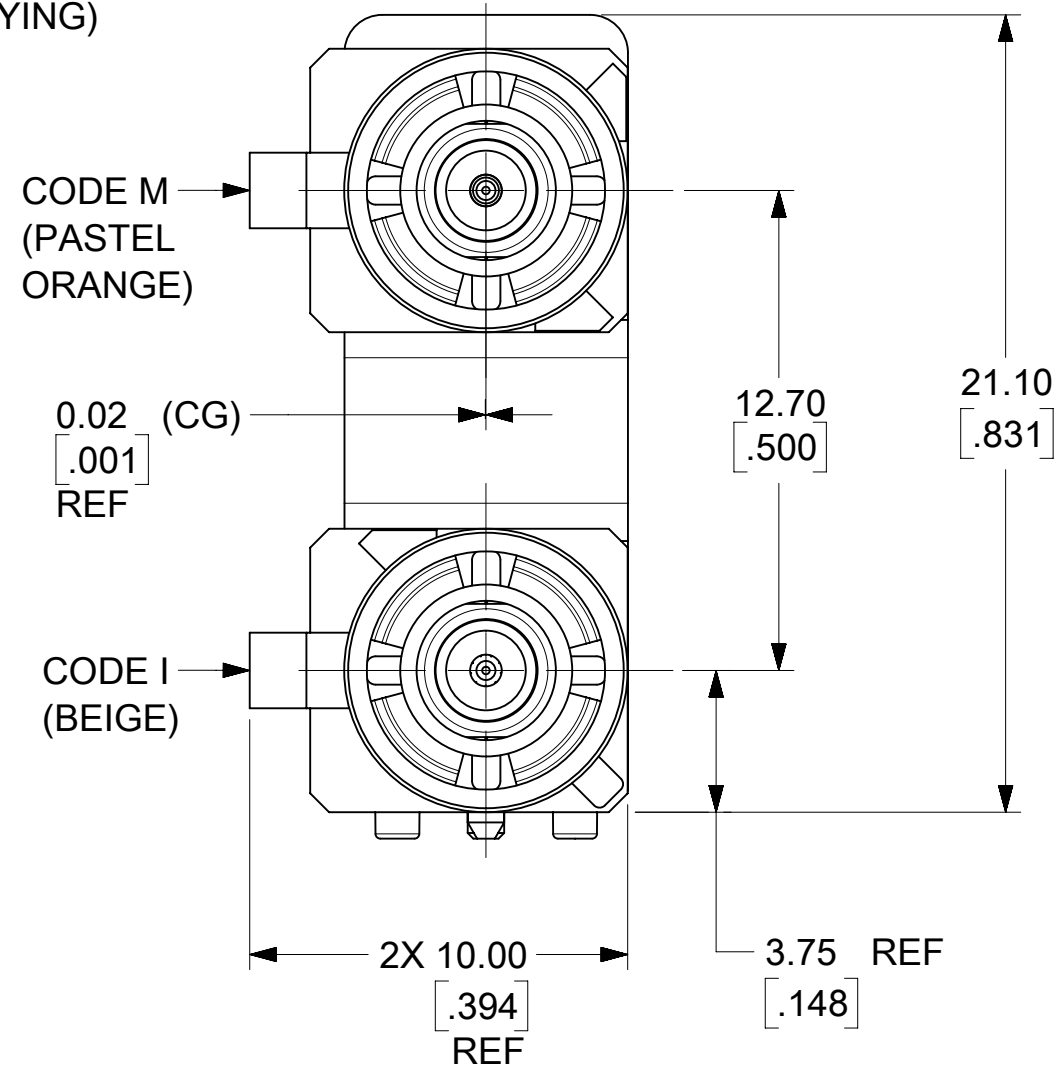
SHROUD: HIGH TEMP PLASTIC
 (SEE P/N FOR SHROUD KEYING)

RETENTION SPECIFICATION:

THE FAKRA CONNECTOR SHROUD WILL WITHSTAND
 A LONGITUDINAL FORCE OF 110 N (24.86 LB)

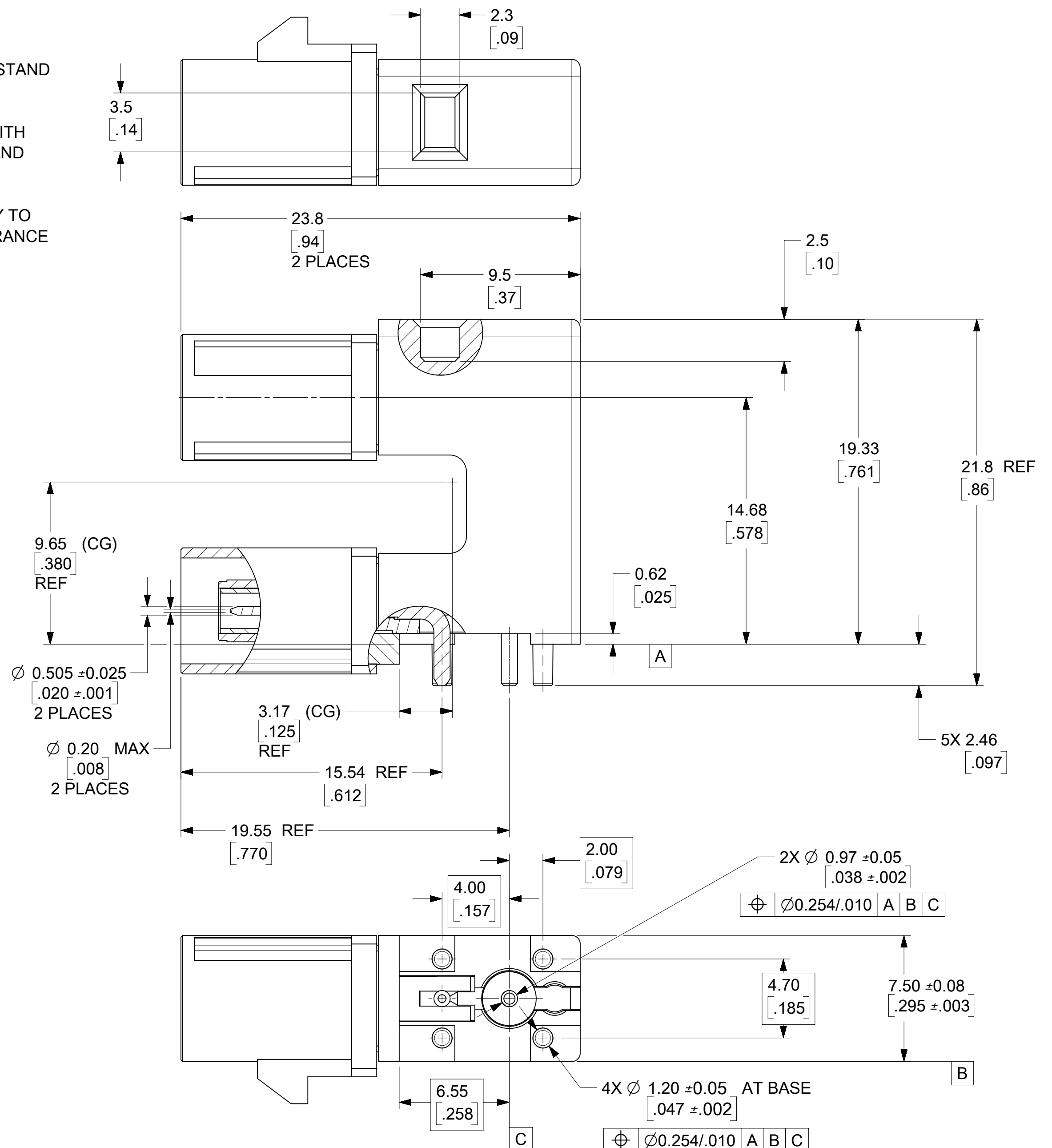
ASSEMBLY MEETS USCAR-17 WHEN MATED WITH
 APTIV P/N'S: PE407879, (CODE M) REV 01 AND
 PE407880, (CODE I) REV 01

NOTE: HEADER LAYOUT/PANEL MUST COMPLY TO
 UASCAR -18 SECTION 5 TO ALLOW FOR CLEARANCE
 OF FAKRA MATING CONNECTOR(S)



RECOMMENDED PCB LAYOUT

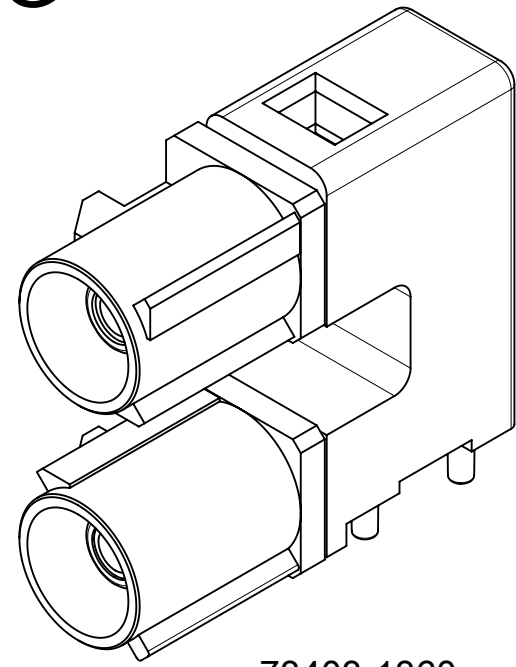
APPROXIMATE WEIGHT (g) 10.47



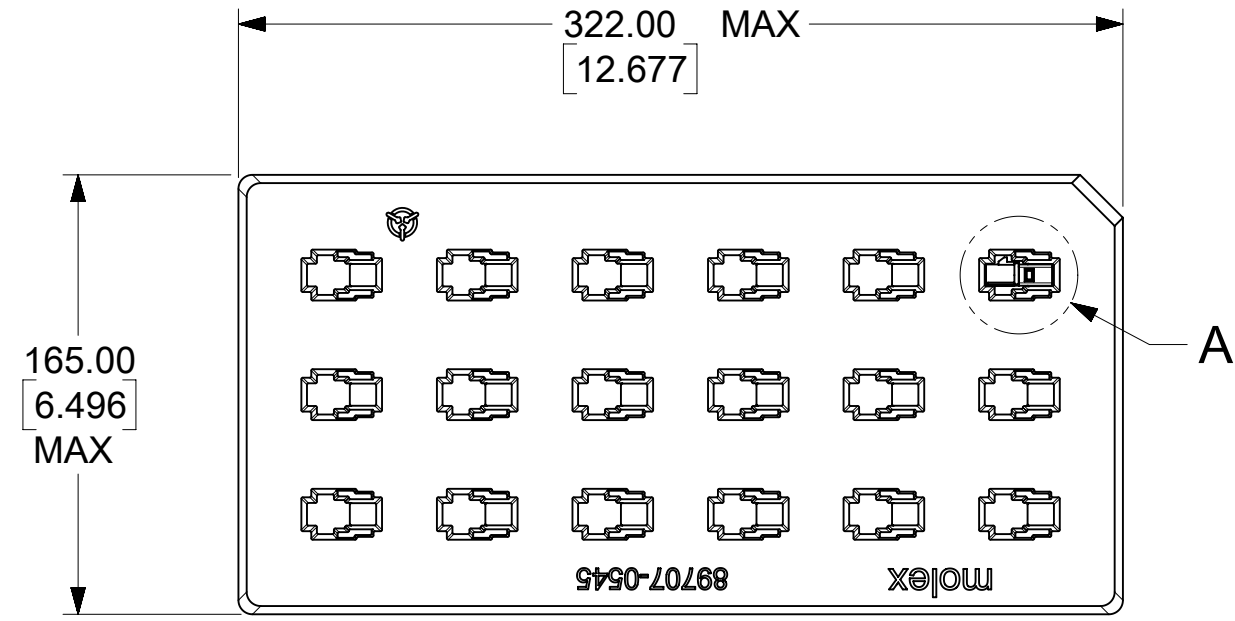
SYMBOLS		THIS DRAWING CONTAINS INFORMATION THAT IS PROPRIETARY TO MOLEX ELECTRONIC TECHNOLOGIES, LLC AND SHOULD NOT BE USED WITHOUT WRITTEN PERMISSION	
▽ = 0	MM/IN	SCALE	CURRENT REV DESC:
▽ = 0	NTS		
▽ = 0	GENERAL TOLERANCES (UNLESS SPECIFIED)		
▽ = 0		MM	INCH
▽ = 0	4 PLACES	±	±
▽ = 0	3 PLACES	±	± 0.005
▽ = 0	2 PLACES	± 0.13	± 0.01
▽ = 0	1 PLACE	± 0.25	±
▽ = 0	0 PLACES	±	±
▽ = 0	ANGULAR TOL	± °	
▽ = 0	DRAFT WHERE APPLICABLE MUST REMAIN WITHIN DIMENSIONS		THIRD ANGLE PROJECTION
			DRAWING
			SERIES
			C-SIZE
			73403
			EC NO: 626923
			DRWN: LMEIER 2019/09/05
			CHK'D: AROBERTSON 2019/11/07
			APPR: AROBERTSON 2019/11/07
			INITIAL REVISION:
			DRWN: SSSHAH 2018/02/28
			APPR: AROBERTSON 2018/03/21
			PRODUCT CUSTOMER DRAWING
			DOCUMENT NUMBER
			734031360
			DOC TYPE
			PSD
			DOC PART
			000
			REVISION
			D
			MATERIAL NUMBER
			SEE TABLE
			CUSTOMER
			SHEET NUMBER
			1 OF 4

73403-1361	M, I	TAPE & REEL
73403-1360	M, I	TRAY
PART NO.	KEYING CODE	PACKAGING

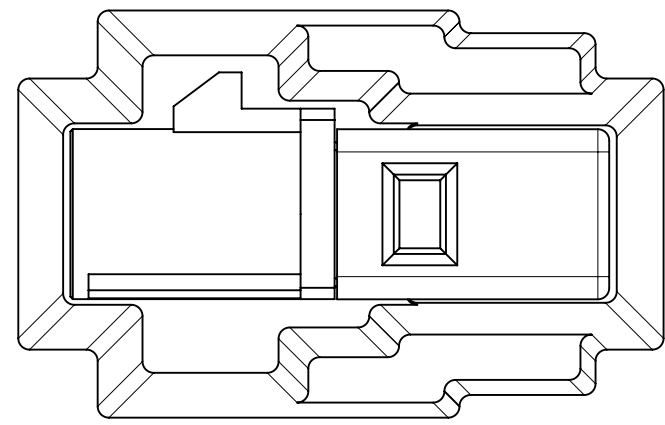
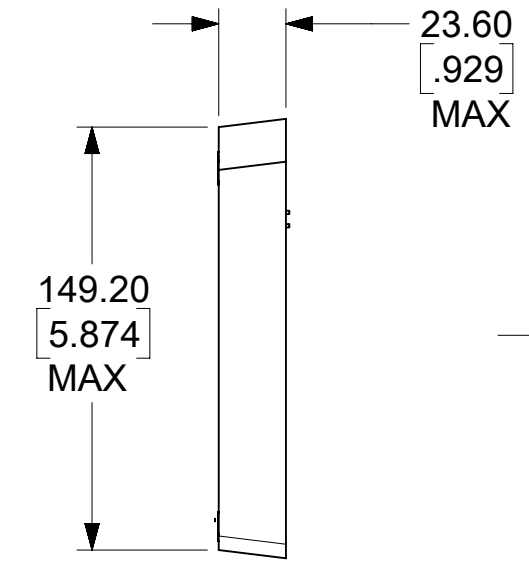
PACKAGING



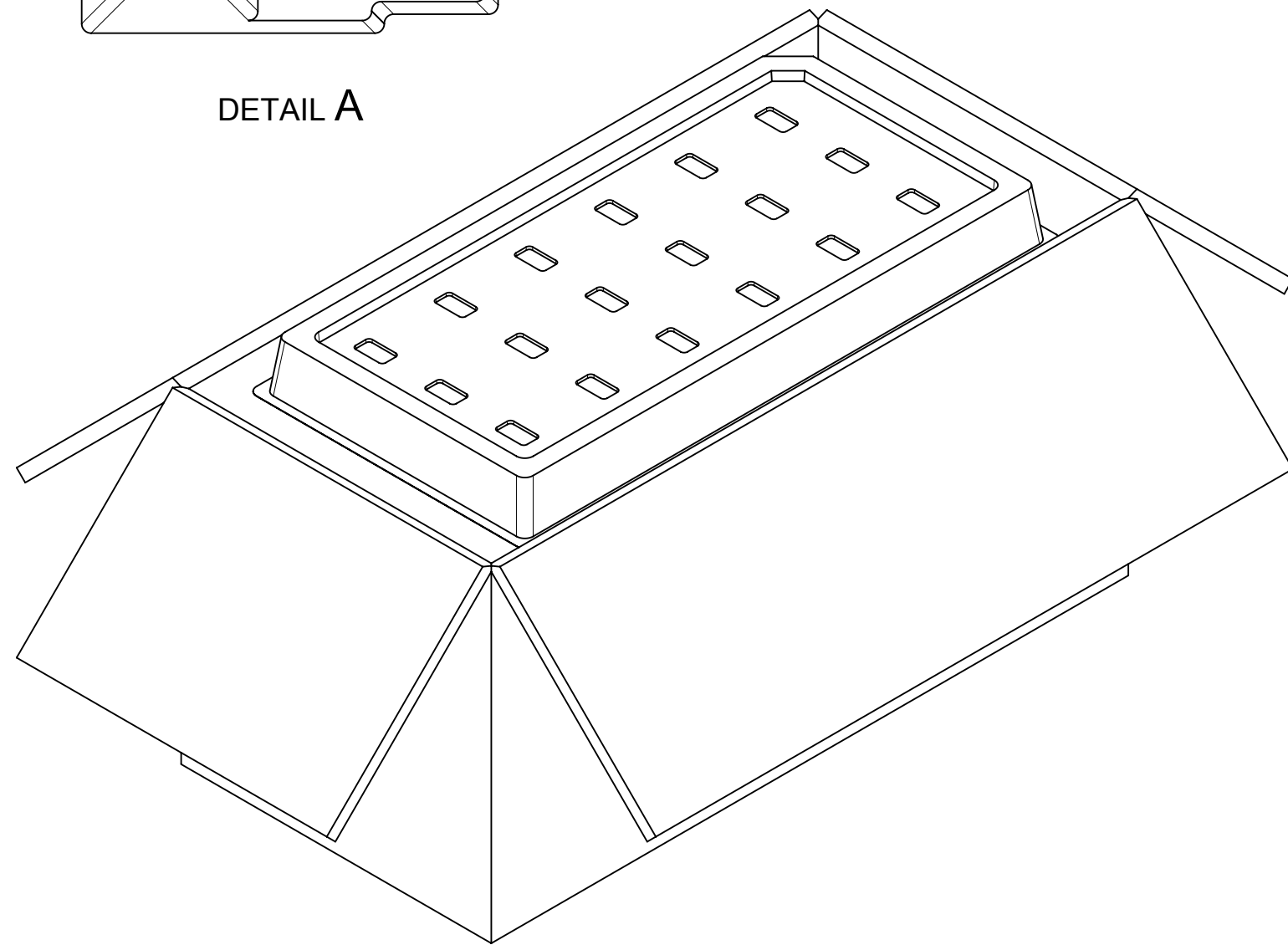
73403-1360



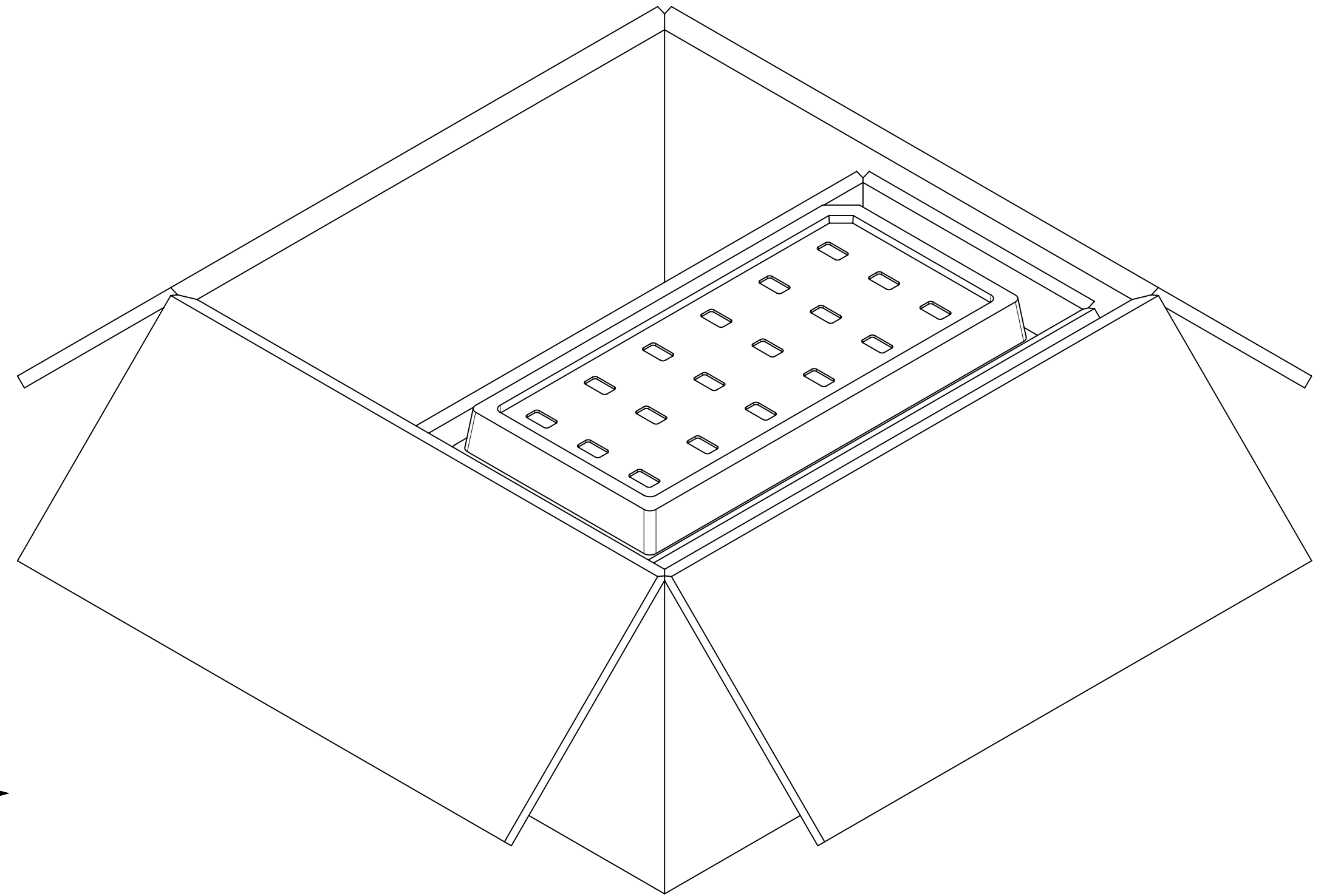
18 SET PER TRAY
TRAY P/N 89707-0545



DETAIL A



126 SETS PER INNER CARTON BOX
PART NO. 96707-0001



252 SETS PER OUTER CARTON BOX
PART NO. 96708-0005

SYMBOLS	THIS DRAWING CONTAINS INFORMATION THAT IS PROPRIETARY TO MOLEX ELECTRONIC TECHNOLOGIES, LLC AND SHOULD NOT BE USED WITHOUT WRITTEN PERMISSION										
	DIMENSION UNITS		SCALE		CURRENT REV DESC:						
∇ = 0	MM/IN	NTS		EC NO: 626923 DRWN: LMEIER 2019/09/05 CHK'D: AROBERTSON 2019/11/07 APPR: AROBERTSON 2019/11/07							
∇ = 0	GENERAL TOLERANCES (UNLESS SPECIFIED)										
∇ = 0		MM	INCH	INITIAL REVISION: DRWN: SSSHAH 2018/02/28 APPR: AROBERTSON 2018/03/21							
S = 0	4 PLACES	±	±								
∇ = 0	3 PLACES	±	± 0.005	PRODUCT CUSTOMER DRAWING DOCUMENT NUMBER: 734031360 DOC TYPE: PSD DOC PART: 000 REVISION: D							
∇ = 0	2 PLACES	± 0.13	± 0.01								
∇ = 0	1 PLACE	± 0.25	±	MATERIAL NUMBER: SEE TABLE CUSTOMER:							
∇ = 0	0 PLACES	±	±								
∇ = 0	ANGULAR TOL	±	°	THIRD ANGLE PROJECTION		DRAWING		SERIES		SHEET NUMBER	
∇ = 0	DRAFT WHERE APPLICABLE MUST REMAIN WITHIN DIMENSIONS			C-SIZE		73403		2 OF 4			

molex

FAKRA R/A PCB JACK 2-WAY 12.7MM
EWR-10015

PRODUCT CUSTOMER DRAWING

734031360

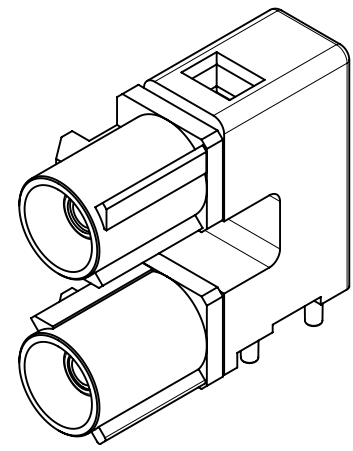
PSD 000 D

SEE TABLE

2 OF 4

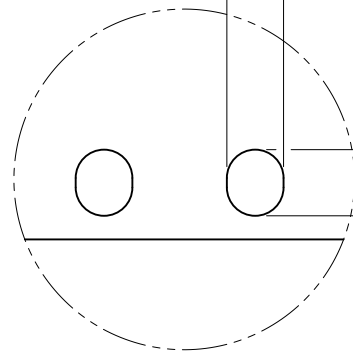
DOCUMENT STATUS	P1	RELEASE DATE	2019/11/07	22:15:11
-----------------	----	--------------	------------	----------

PACKAGING



73403-1361

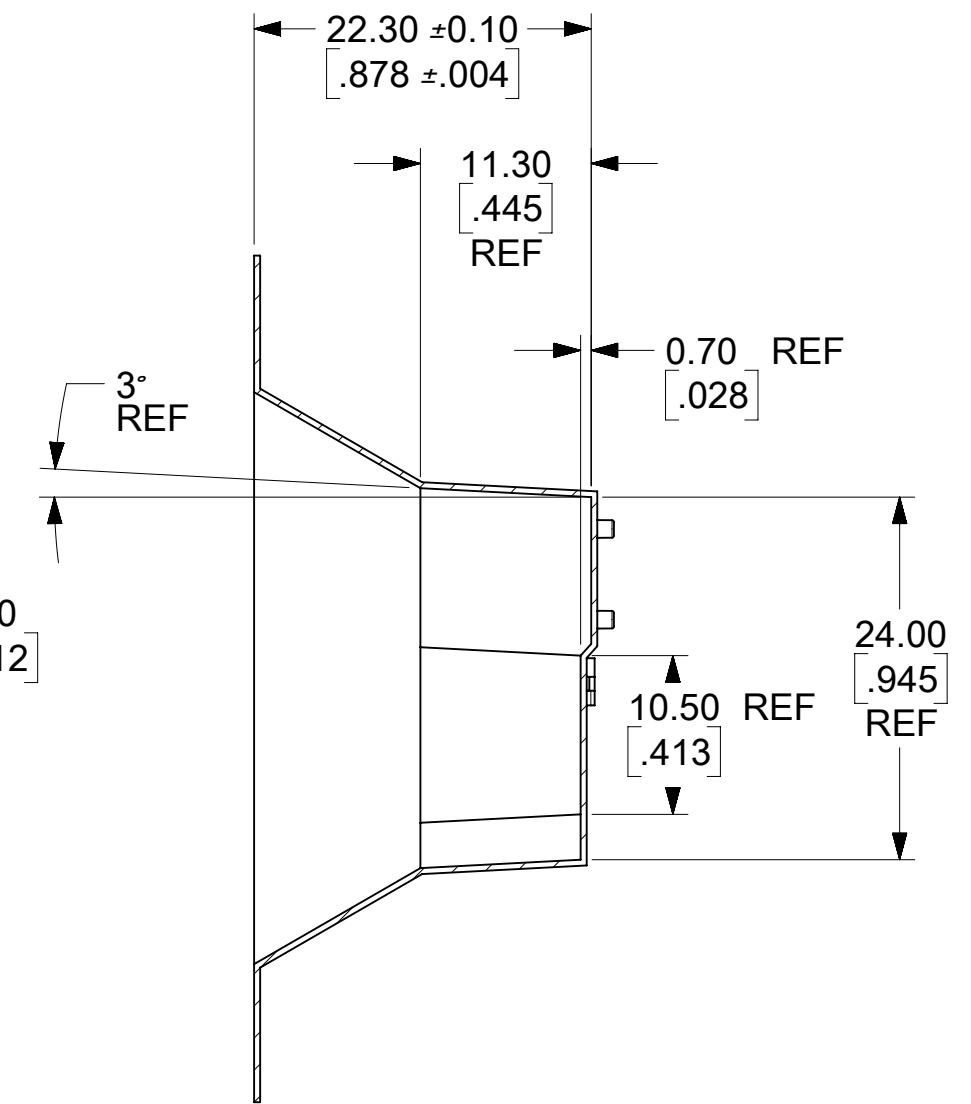
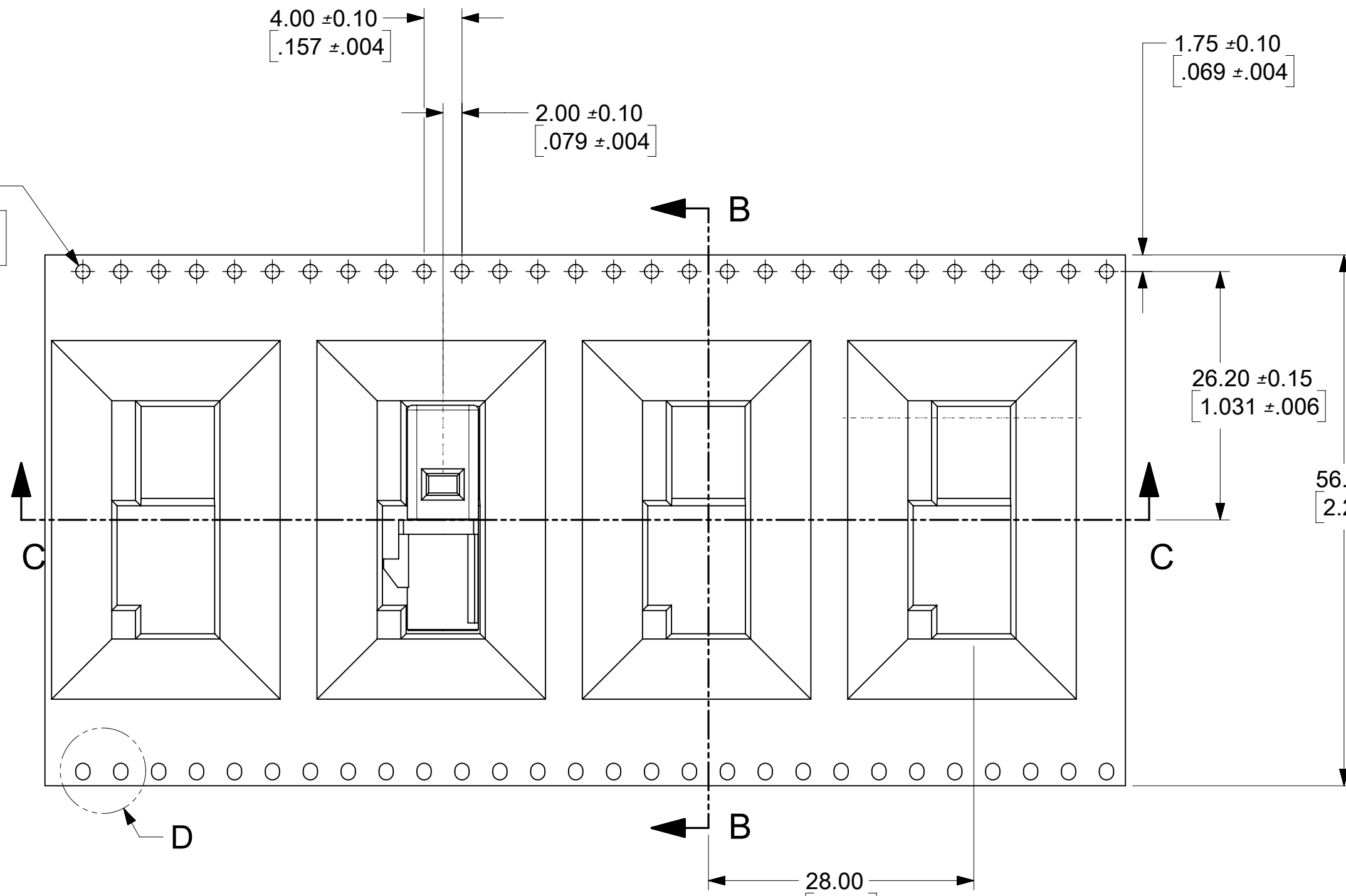
1.50 ±0.10
[.059 ±.004]
TYP



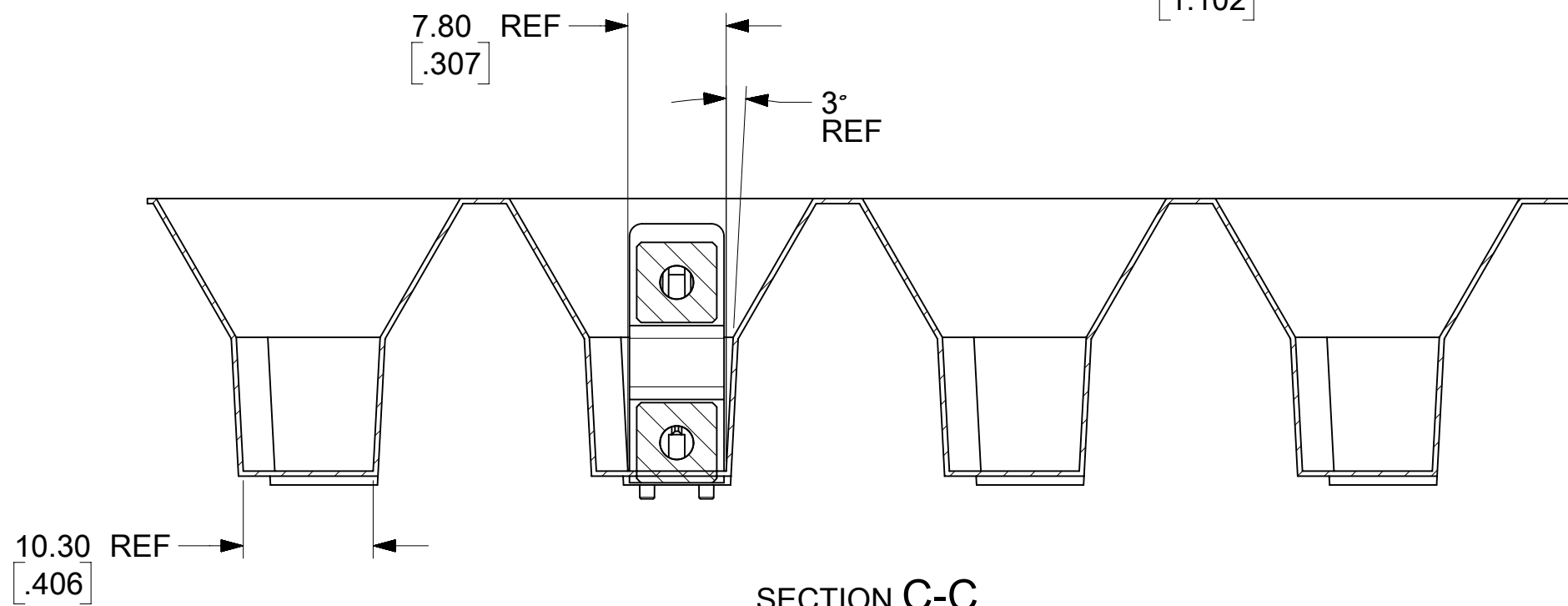
DETAIL D

1.75 ±0.10
[.069 ±.004]
TYP

∅ 1.50 +0.10
-0.00
[.059 +.004
-.000]
TYP.



SECTION B-B



SECTION C-C

NOTE:
MATERIAL: PS BLACK THICKNESS: 0.50±0.05(.020±.002)

SYMBOLS	THIS DRAWING CONTAINS INFORMATION THAT IS PROPRIETARY TO MOLEX ELECTRONIC TECHNOLOGIES, LLC AND SHOULD NOT BE USED WITHOUT WRITTEN PERMISSION			
	DIMENSION UNITS		SCALE	
∇ = 0	MM/IN	NTS		CURRENT REV DESC:
∇ = 0	GENERAL TOLERANCES (UNLESS SPECIFIED)			
∇ = 0		MM	INCH	EC NO: 626923 DRWN: LMEIER 2019/09/05 CHK'D: AROBERTSON 2019/11/07 APPR: AROBERTSON 2019/11/07
S = 0	4 PLACES ±	±	±	
∇ = 0	3 PLACES ±	±	± 0.005	INITIAL REVISION: DRWN: SSSHAH 2018/02/28 APPR: AROBERTSON 2018/03/21
∇ = 0	2 PLACES ±	0.13	± 0.01	
∇ = 0	1 PLACE ±	0.25	±	DOCUMENT NUMBER: 734031360 DOC TYPE: PSD DOC PART: 000 REVISION: D
∇ = 0	0 PLACES ±	±	±	
∇ = 0	ANGULAR TOL ± °			MATERIAL NUMBER: SEE TABLE CUSTOMER: [] SHEET NUMBER: 3 OF 4
∇ = 0	DRAFT WHERE APPLICABLE MUST REMAIN WITHIN DIMENSIONS	THIRD ANGLE PROJECTION	DRAWING: C-SIZE SERIES: 73403	

molex

FAKRA R/A PCB JACK 2-WAY 12.7MM
EWR-10015

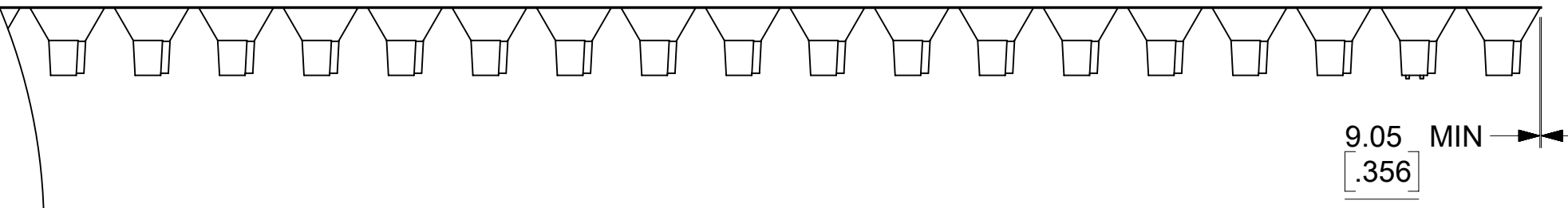
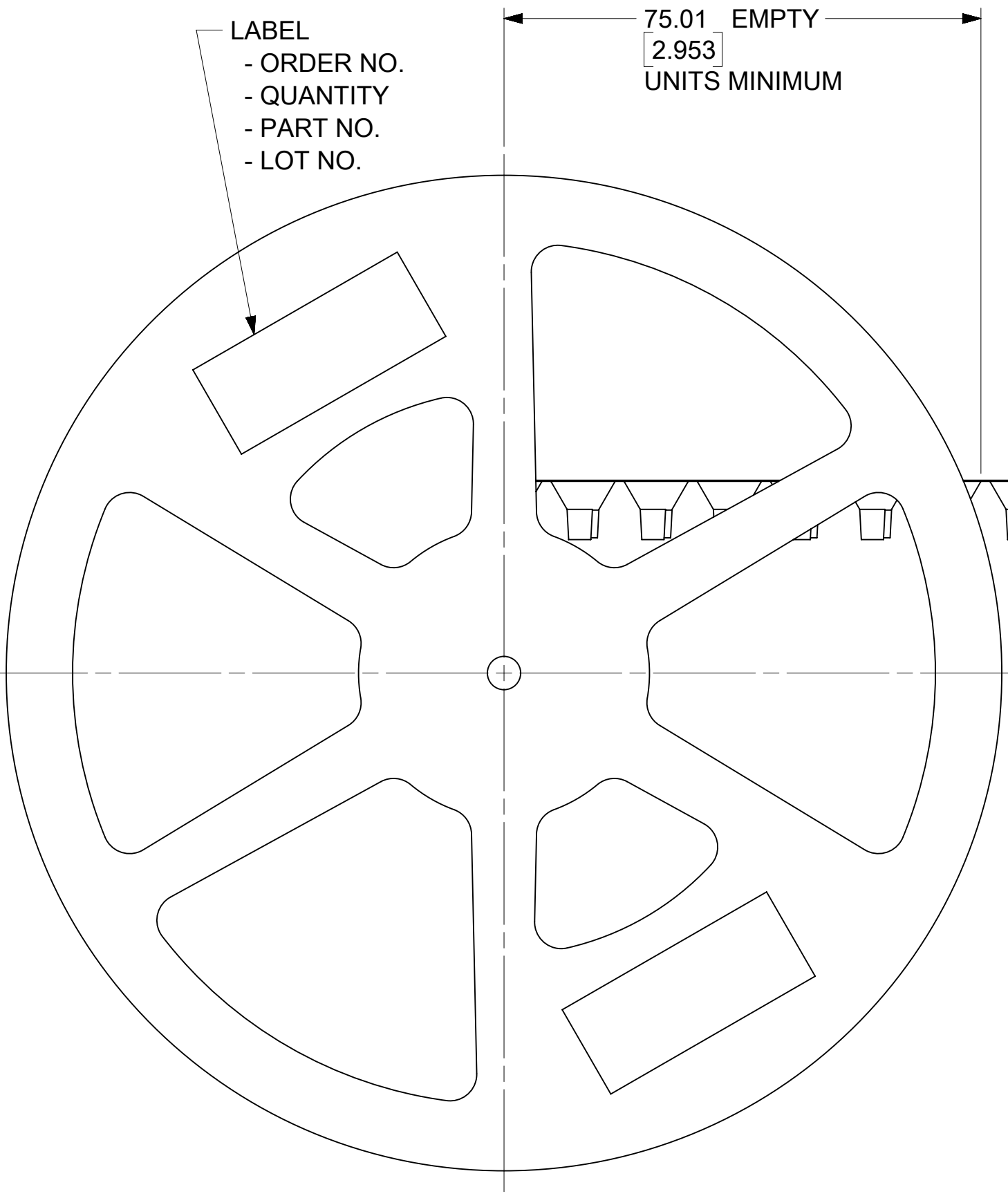
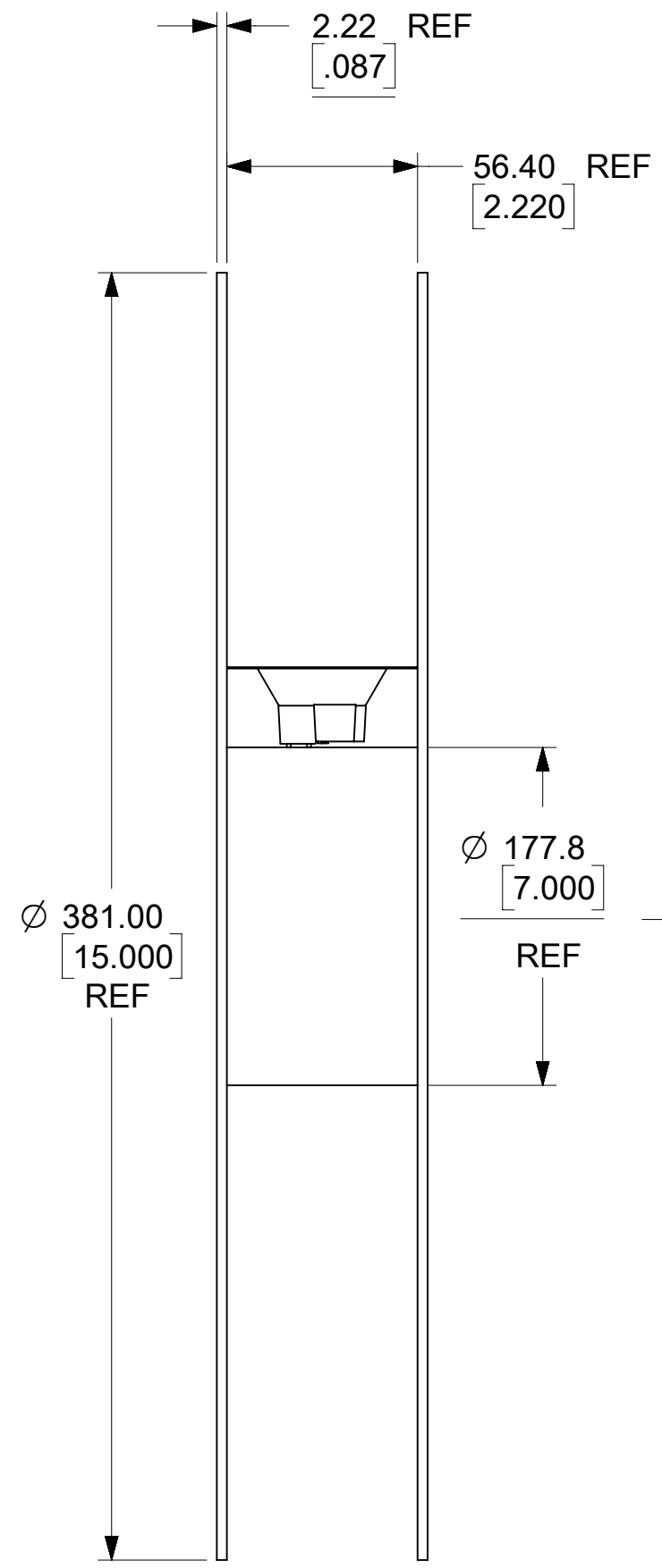
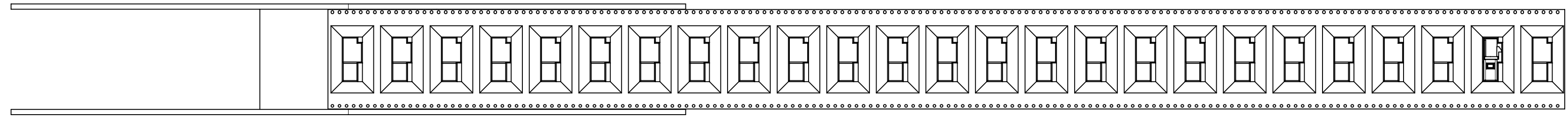
PRODUCT CUSTOMER DRAWING

734031360

PSD 000 D

SEE TABLE

3 OF 4



HANDLING DIRECTION →

- NOTE:**
1. DIMENSIONS ARE PROVIDED FOR REFERENCE ONLY
 2. COMPONENT LOAD PER 15" REEL: 100 PCS

SYMBOLS DIMENSION UNITS SCALE CURRENT REV DESC: EC NO: 626923 DRWN: LMEIER 2019/09/05 CHK'D: AROBERTSON 2019/11/07 APPR: AROBERTSON 2019/11/07 INITIAL REVISION: DRWN: SSSHAH 2018/02/28 APPR: AROBERTSON 2018/03/21 THIRD ANGLE PROJECTION DRAWING SERIES C-SIZE 73403	THIS DRAWING CONTAINS INFORMATION THAT IS PROPRIETARY TO MOLEX ELECTRONIC TECHNOLOGIES, LLC AND SHOULD NOT BE USED WITHOUT WRITTEN PERMISSION		
	MM/IN		NTS
	GENERAL TOLERANCES (UNLESS SPECIFIED)		
	4 PLACES	±	±
3 PLACES	±	± 0.005	
2 PLACES	± 0.13	± 0.01	
1 PLACE	± 0.25	±	
0 PLACES	±	±	
ANGULAR TOL	± °		
DRAFT WHERE APPLICABLE MUST REMAIN WITHIN DIMENSIONS			

molex		
FAKRA R/A PCB JACK 2-WAY 12.7MM EWR-10015		
PRODUCT CUSTOMER DRAWING		
DOCUMENT NUMBER	DOC TYPE	DOC PART
734031360	PSD	000
MATERIAL NUMBER	CUSTOMER	SHEET NUMBER
SEE TABLE		4 OF 4