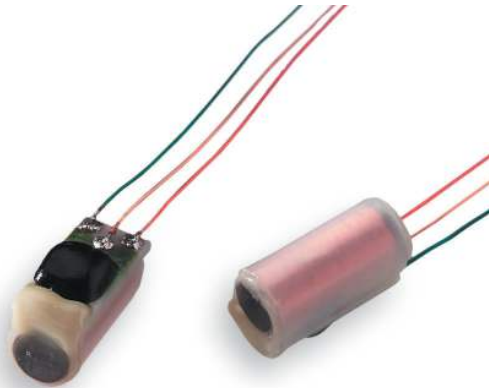


model **5300**

ACTIVE TELECOIL

technical datasheet



> features <

- RFI Suppression (Radio Frequency Interference)
- Integrated preamplifier
- ESD protection
- Plastic sleeve to protect coil
- Optional sleeveless version
- Insulated leads

> specifications <

Mechanical Data

Length	5.33 mm (max.)
Width	2.54 mm (max.)
Height	3.32 mm (max.)

Electrical Data

Parameter	Min.	Typ.	Max.	Units
Current		70	100	μA
Output Voltage	350	580	800	mVDC
Output Impedance@1 kHz		4000		Ω
Magnetic Sensitivity				
200 Hz	-68.0	-65.0	-62.0	dB re 1V
1000 Hz	-54.5	-52.5	-50.5	dB re 1V
5000 Hz	-49.0	-47.0	-45.0	dB re 1V
Peak Output Swing	±38			mV

Test Conditions for electrical data:

Supply Voltage	1.30 VDC
Temperature	25°C
Magnetic Field	1 A/m
Major Axis	Parallel to magnetic field

Environmental Data

Operating Temperature	-10°C to 40°C
Storage Temperature	-20°C to 70°C

Maximum Ratings

Supply Voltage	5 VDC (min. 1.1 VDC)
Power Dissipation	25 mW

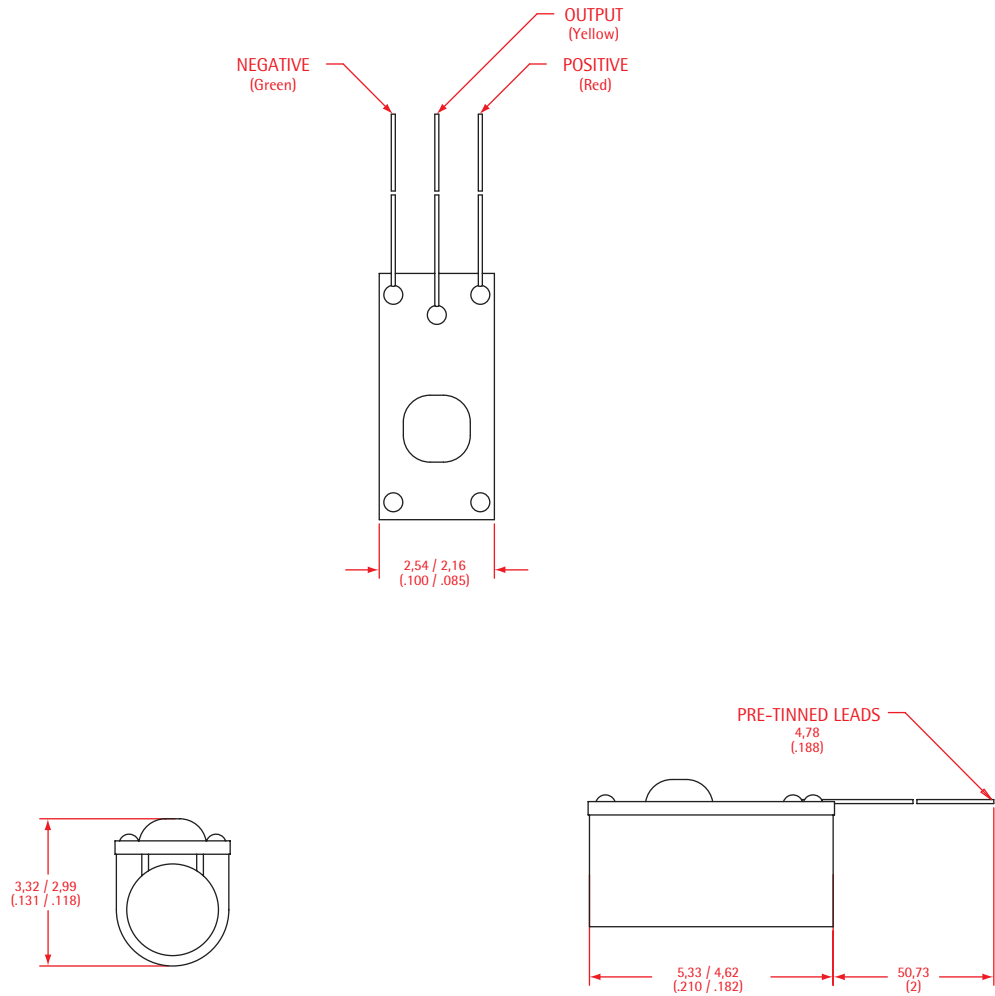
Construction

Leads	36 AWG solid insulated
Coil Sheath	Plastic

Specifications subject to change.

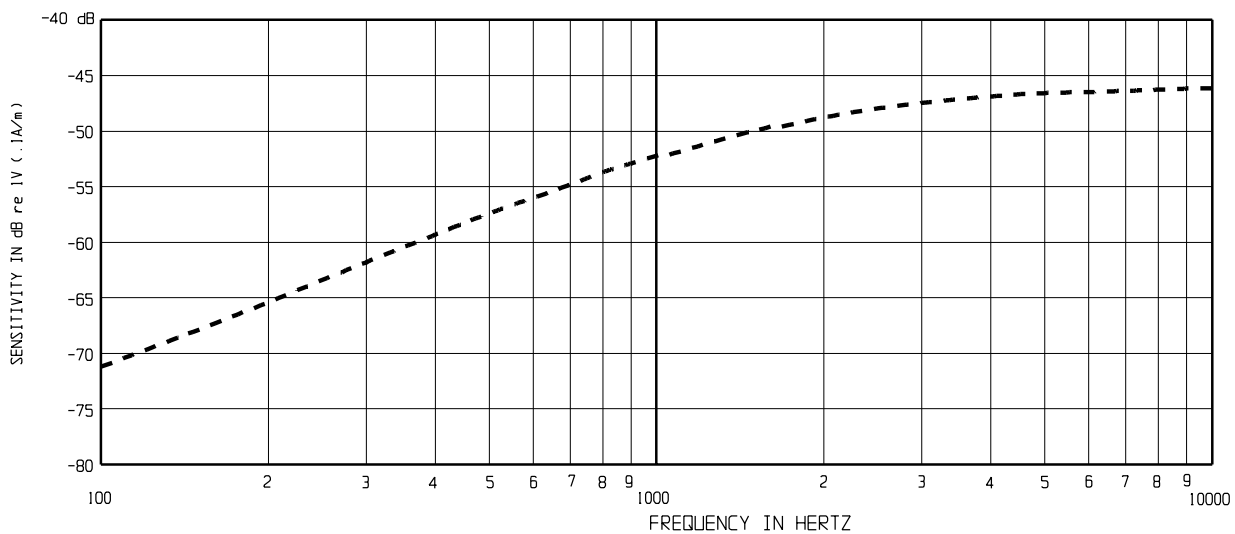
dimensions (sleeved version)

Dimensions shown
in millimeters (inches
in parentheses).





normal responsive curve



> ordering <

How to order— Specify part number 5300-153069 for sleeved and 5300-153081 for sleeveless. Customized Model 5300 active telecoil products are available, subject to minimum order requirements, contact your Knowles sales representative for a quote.