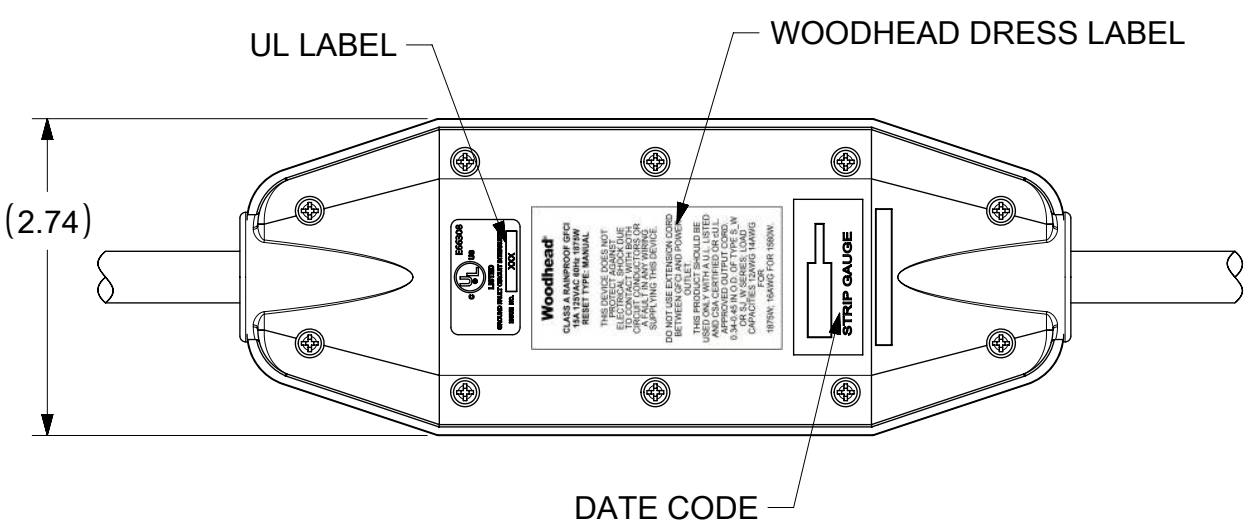
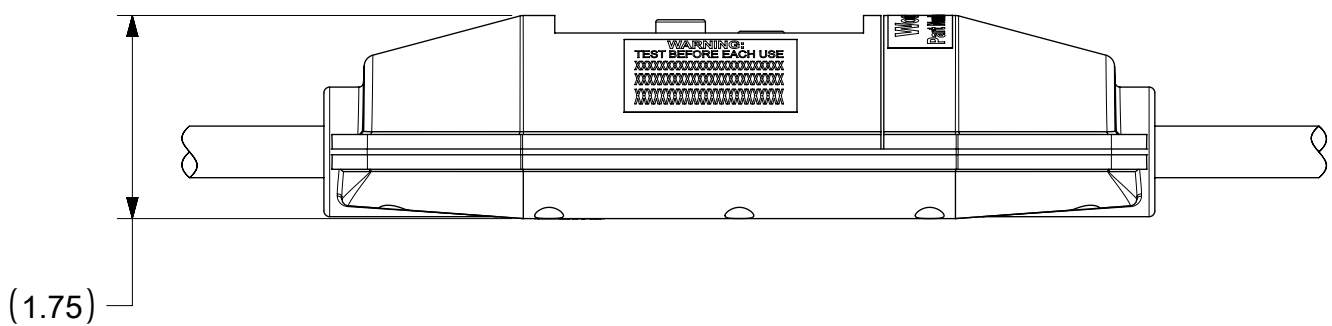
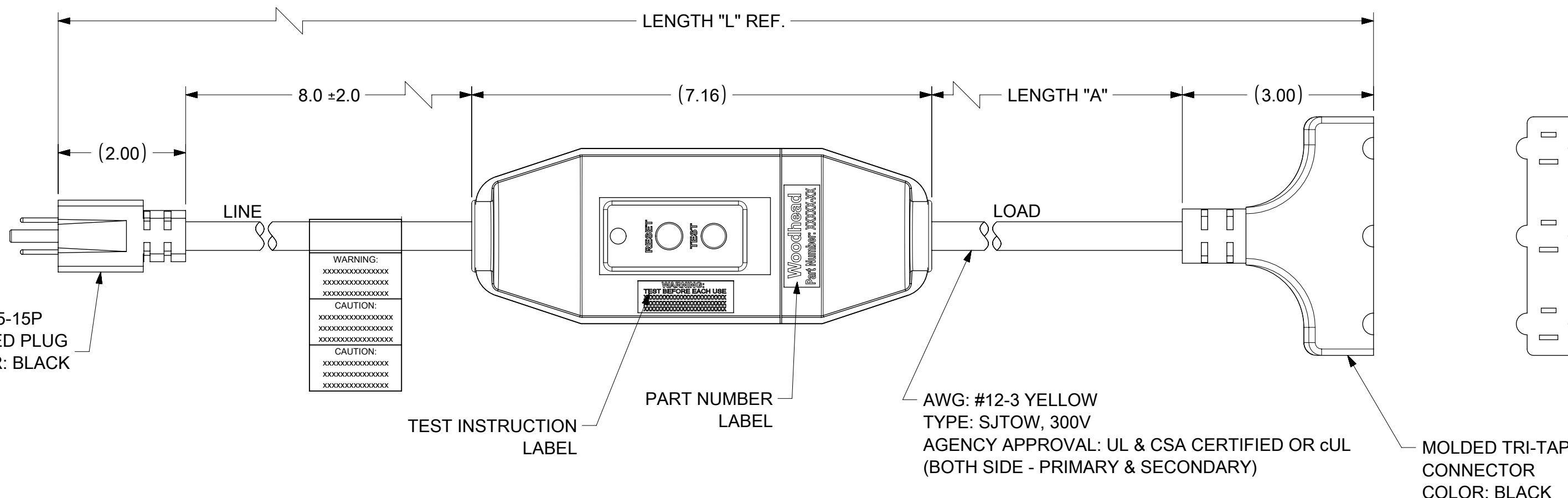


NEMA 5-15P  
MOLDED PLUG  
COLOR: BLACK



MATERIAL NO.	ENGINEERING NO.	LENGTH "L"	LENGTH "A"	POWER-UP
1301530029	15050-3TTA	2 FT 8 IN	1 FT ± 1 IN	AUTO
1301530040	15050-6TTA	7 FT 8 IN	6 FT ± 2 IN	AUTO
1301530026	15050-25TTA	26 FT 8 IN	25 FT ± 2 IN	AUTO
1301530034	15050-50TTA	51 FT 8 IN	50 FT ± 4 IN	AUTO
1301530030	15050-1TTM	2 FT 8 IN	1 FT ± 1 IN	MANUAL
1301530041	15050-6TTM	7 FT 8 IN	6 FT ± 2 IN	MANUAL
1301530027	15050-25TTM	26 FT 8 IN	25 FT ± 2 IN	MANUAL
1301530035	15050-50TTM	51 FT 8 IN	50 FT ± 4 IN	MANUAL

**TECHNICAL**

LISTED: UL & CSA  
 RATED SUPPLY VOLTAGE: 120VAC  
 RATED CURRENT: UP TO 15 AMPS  
 RESET TYPE: AUTO OR MANUAL  
 OPERATING FREQUENCY: 60 Hz  
 TYPE: CLASS A  
 GROUND TRIP CURRENT: 5mA +/- 1mA  
 OVERLOAD CURRENT: 90 AMPS, 0.45 PF  
 INSULATION VOLTAGE: 1,500 VRMS - 1 MINUTE  
 ENDURANCE OPERATIONS: 3000 OPERATIONS  
 ENCLOSURE: NEMA 3R

FUNCTIONAL SYMBOLS $\frac{F}{A} = 0$ $\frac{F}{C} = 0$ $\frac{F}{P} = 0$ DIVISIONAL SYMBOLS 4 PLACES ± 3 PLACES ± 2 PLACES ± 1 PLACE ± 0 PLACES ±	THIS DRAWING CONTAINS INFORMATION THAT IS PROPRIETARY TO MOLEX ELECTRONIC TECHNOLOGIES, LLC AND SHOULD NOT BE USED WITHOUT WRITTEN PERMISSION		SCALE <b>INCH NTS</b>		CURRENT REV DESC: NEW SALES DRAWING CREATED				
	GENERAL TOLERANCES (UNLESS SPECIFIED) ANGULAR TOL ± 0.5°		EC NO: 679783 DRWN: VBASUTHKARP 2021/09/30 CHK'D: DNGUYEN62 2021/10/05 APPR: HKNEELAND 2021/10/11		INLINE GFCI 15A, 120V W/ TRIPLE TAP CONNECTOR NEMA 5-15				
	DRAFT WHERE APPLICABLE MUST REMAIN WITHIN DIMENSIONS		THIRD ANGLE PROJECTION		DRAWING SERIES <b>C-SIZE 130153</b>		PRODUCT CUSTOMER DRAWING		
	MATERIAL NUMBER CUSTOMER SEE TABLE GENERAL MARKET		DOCUMENT NUMBER <b>1301530029</b>		DOC TYPE DOC PART REVISION <b>PSD 000 A</b>		SHEET NUMBER 1 OF 1		

6

5

4

3

2

1

E

E

D

D

C

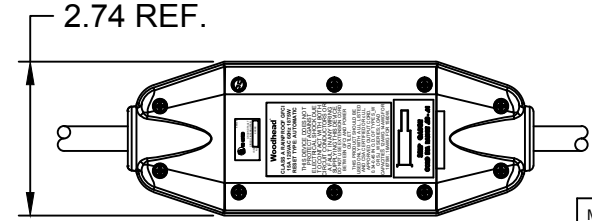
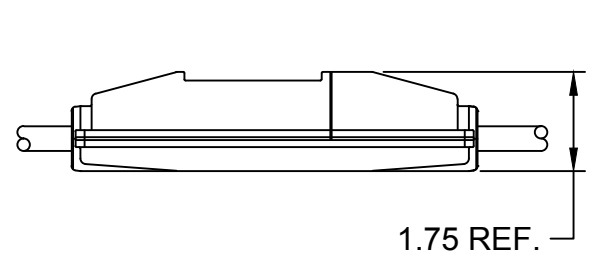
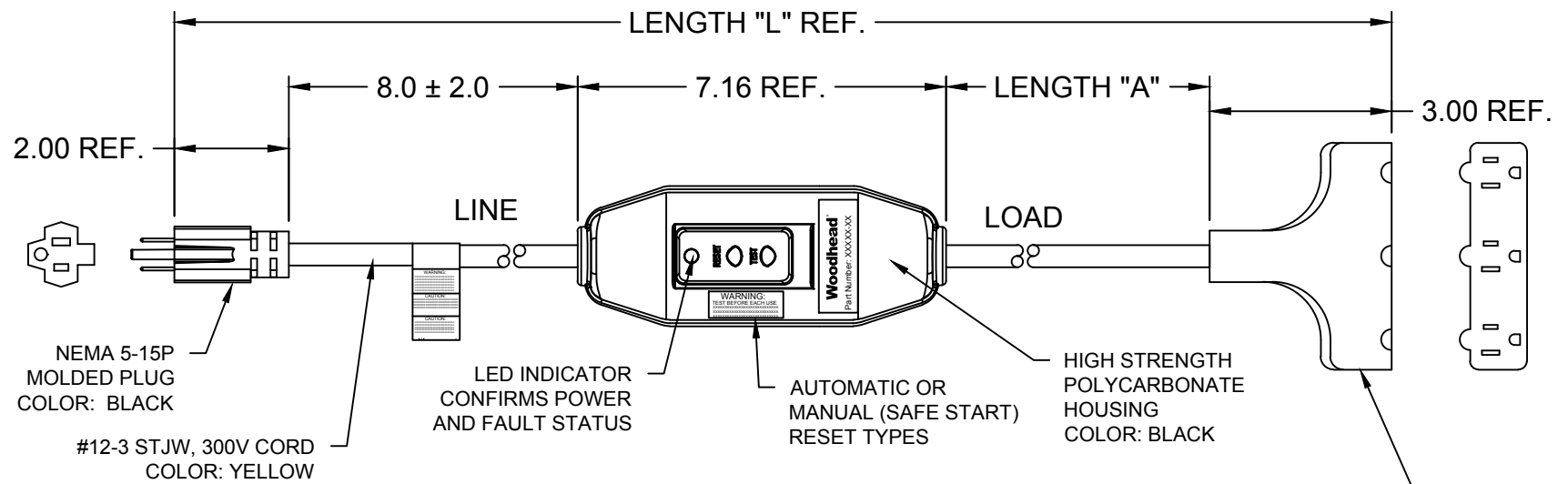
C

B

B

A

A



**TECHNICAL:**  
 LISTED: UL AND cUL  
 RATED SUPPLY VOLTAGE: 120 VAC  
 RATED CURRENT: UP TO 15 AMPS OR CABLE RATING  
 RESET TYPE: AUTOMATIC OR MANUAL  
 OPERATING FREQUENCY: 60 Hz  
 TYPE: CLASS A  
 GROUND TRIP CURRENT: 4-6 mA  
 OVERLOAD CURRENT: 90 AMP 125 VAC  
 INSULATION VOLTAGE: 1,500 VRMS - 1 MINUTE  
 ENDURANCE OPERATIONS: 3000 OPERATIONS

MATERIAL NO.	ENGINEERING NO.	LENGTH "L"	LENGTH "A"	POWER-UP
1301530029	15050-3TTA	2 FT 8 IN	1 FT ± 1 IN	AUTO
1301530040	15050-6TTA	7 FT 8 IN	6 FT ± 2 IN	AUTO
1301530026	15050-25TTA	26 FT 8 IN	25 FT ± 2 IN	AUTO
1301530034	15050-50TTA	51 FT 8 IN	50 FT ± 4 IN	AUTO
1301530030	15050-1TTM	2 FT 8 IN	1 FT ± 1 IN	MANUAL
1301530041	15050-6TTM	7 FT 8 IN	6 FT ± 2 IN	MANUAL
1301530027	15050-25TTM	26 FT 8 IN	25 FT ± 2 IN	MANUAL
1301530035	15050-50TTM	51 FT 8 IN	50 FT ± 4 IN	MANUAL

INITIAL RELEASE EC NO: IPC2013-1078 DRWN: HRUIZ01 2013/02/06 CHKD: HKNEELAN 2014/07/22 APPR: JFMURPHY 2015/04/20	DESCRIPTION REV A	QUALITY SYMBOLS ▽=0 ▽C=0	GENERAL TOLERANCES (UNLESS SPECIFIED)		DIMENSION STYLE INCH		SCALE NTS		DESIGN UNITS INCH		THIRD ANGLE PROJECTION		
			4 PLACES	±---	±---	DRAWN BY	DATE	TITLE <b>120V 15A INLINE GFCI          W/ TRIPLE TAP CONNECTOR          NEMA 5-15</b>  <b>MOLEX INCORPORATED</b>  MATERIAL NO. SEE TABLE DOCUMENT NO. SD-130153-014 SHEET NO. 1 OF 1  THIS DRAWING CONTAINS INFORMATION THAT IS PROPRIETARY TO MOLEX INCORPORATED AND SHOULD NOT BE USED WITHOUT WRITTEN PERMISSION					
			3 PLACES	±---	±.005	CHECKED BY	DATE						
			2 PLACES	±0.13	±.010	APPROVED BY	DATE						
1 PLACE	±0.25	±.020	JFMURPHY	2015/04/20									
			ANGULAR ±1/2°		DRAFT WHERE APPLICABLE MUST REMAIN WITHIN DIMENSIONS		SIZE A						