

1

2

3

4

5

6

7

A

A

B

B

C

C

D

D

E

E

F

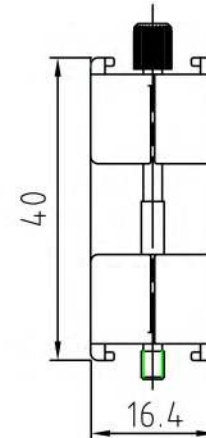
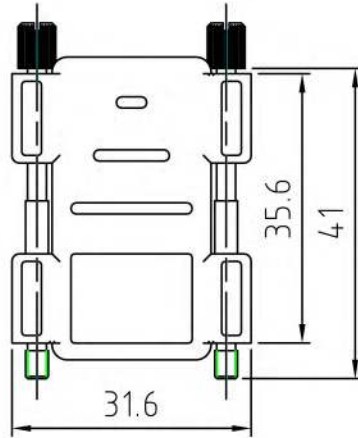
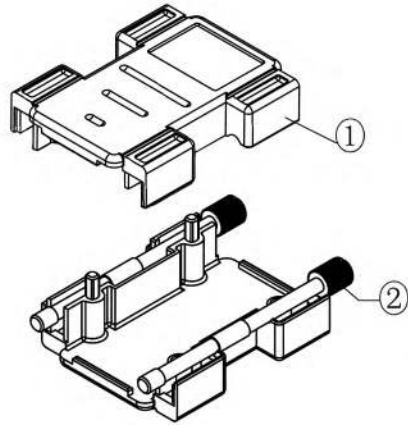
F

G

G

H

H



TECHNICAL SPECIFICATIONS

Material: ABS Plastic, UL94 V-0
 Plating: Nickel over Coper
 Operating Temperature: -30°C to +110°C
 Jackscrews: UNC 4-40

No. of contacts: 09-15-25

Item	QTY	Part description
1	2	Cover Halves
2	2	UNC 4-40x47 Jackscrew

RoHS compliant
 Unit: mm

Scale	Free				Date	Name	Customer-No.	
TOLERANCE					Drawn	17.08.2017	S.Bölling	
0~6	±0.10				Approved	17.08.2017	S.Bölling	
6~30	±0.20							
30~120	±0.30							
120~400	±0.50							
DIM	Tol							
Angle	±1°	Ⓢ	Drawn	17.08.2017				S.Bölling
Angle	Tol	Id.	Modification	Date				Name

Customer-No.
 ASSMANN WSW-No.
ACOV-SUB-09MB5

Drawing-No.
ASS_5246_CO rev00
 Replace
 Sheet 1/3

1

2

3

4

5

6

7

SV4382

1

2

3

4

5

6

7

A

A

B

B

C

C

D

D

E

E

F

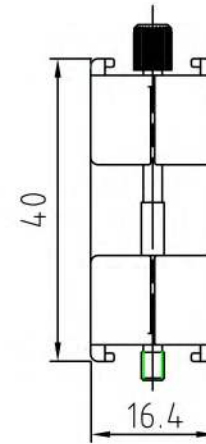
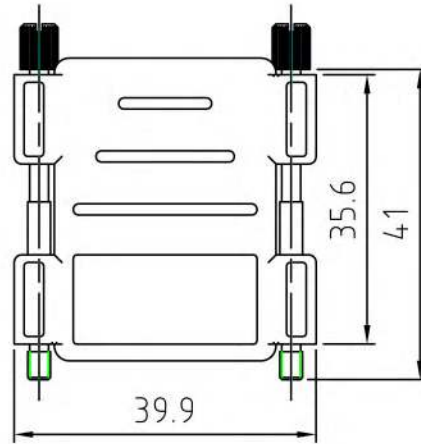
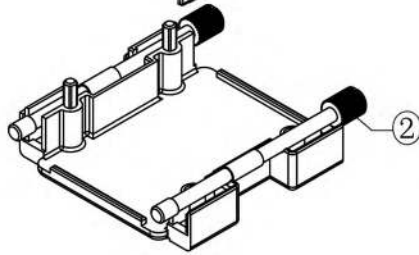
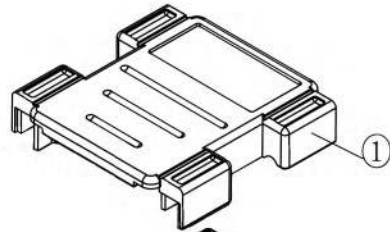
F

G

G

H

H



TECHNICAL SPECIFICATIONS

Material: ABS Plastic, UL94 V-0
 Plating: Nickel over Copper
 Operating Temperature: -30°C to +110°C
 Jackscrews: UNC 4-40

No. of contacts: 09-15-25

Item	QTY	Part description
1	2	Cover Halves
2	2	UNC 4-40x47 Jackscrew

RoHS compliant
 Unit: mm

Scale	Free			Date	Name	Customer-No.		
TOLERANCE				Drawn	17.08.2017	S.Bölling		
0~6	±0.10			Approved	17.08.2017	S.Bölling		
6~30	±0.20							
30~120	±0.30							
120~400	±0.50							
DIM	Tol							
Angle	±1°	Ⓢ	Drawn				17.08.2017	S.Bölling
Angle	Tol	Id.	Modification				Date	Name

Customer-No.
 ASSMANN WSW-No.
ACOV-SUB-15MB5

Drawing-No.
ASS_5246_CO rev00
 Replace
 Sheet 2/3

1

2

3

4

5

6

7

SV4382

1

2

3

4

5

6

7

A

B

C

D

E

F

G

H

A

B

C

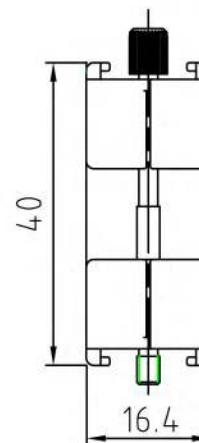
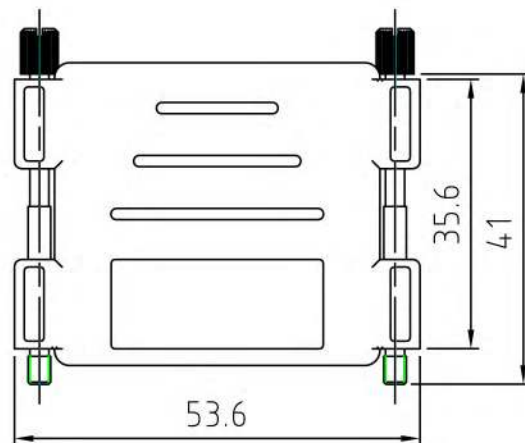
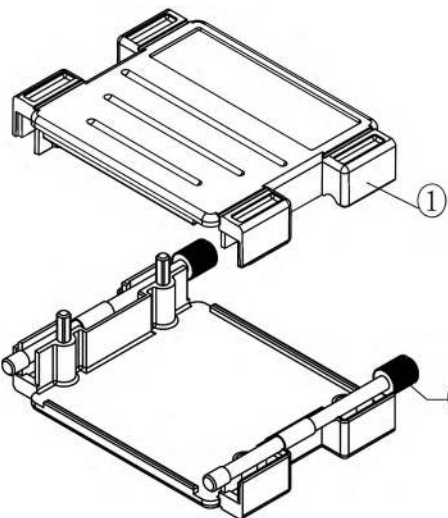
D

E

F

G

H



TECHNICAL SPECIFICATIONS

Material: ABS Plastic, UL94 V-0
 Plating: Nickel over Copper
 Operating Temperature: -30°C to +110°C
 Jackscrews: UNC 4-40

No. of contacts: 09-15-25

Item	QTY	Part description
1	2	Cover Halves
2	2	UNC 4-40x47 Jackscrew

RoHS compliant
 Unit: mm

Scale	Free			Date	Name	Customer-No.
TOLERANCE				Drawn	17.08.2017	S.Bölling
0~6	±0.10			Approved	17.08.2017	S.Bölling
6~30	±0.20					
30~120	±0.30					
120~400	±0.50					
DIM	Tol					
Angle	±1°	Ⓢ	Drawn	17.08.2017	S.Bölling	
Angle	Tol	Id.	Modification	Date	Name	

ASSMANN
 WSW components

ASSMANN WSW-No.
ACOV-SUB-25MB5

Drawing-No.
ASS_5246_CO rev00

Replace Sheet 3/3

1

2

3

4

5

6

7

SV4382