



Quick Start Guide

Mag³C Power Module Evaluation Board
for 171010501 LGA6-EP

Evaluation Board
178010501

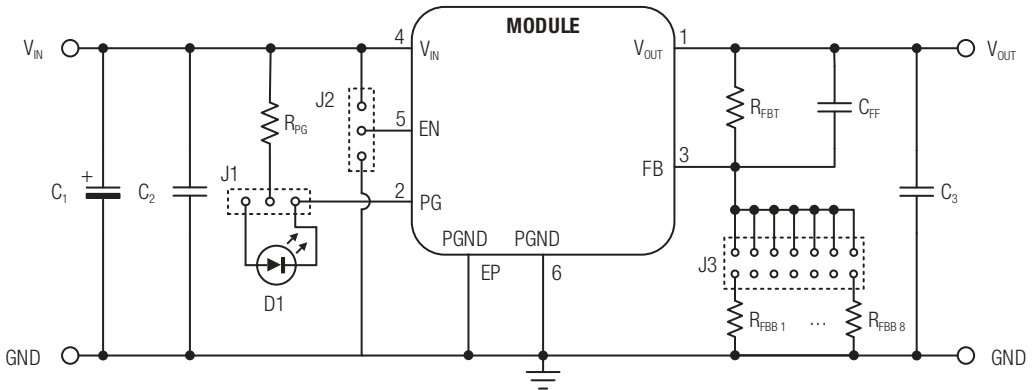
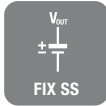
Version 1.1



 **WARNING!** – Before operating read the attached IMPORTANT NOTICE document!

Schematic

Features



The additional aluminum polymer capacitor C_1 is only for evaluation board protection purposes. It is mounted at the termination of the supply line and provides slight damping of possible oscillations of the series resonance circuit represented by the inductance of the supply line and the input capacitance. It is not essential for operation.

For accurate V_{IN} and V_{OUT} voltage measurements it is recommended to measure directly at the input and output capacitors C_2 and C_3 .

It is **not** recommended to use this evaluation board with input and output wire lengths longer than 1 m.

For the datasheet of the power module visit us at:

<https://katalog.we-online.de/de/pm/MAGIC-VDDM>



This product is highly sensitive to electrostatic discharge (ESD). As such, always use proper ESD precautions when handling. Failing to follow the aforementioned recommendations can result in severe damage to the part.



WARNING! – Before operating read the attached IMPORTANT NOTICE document!



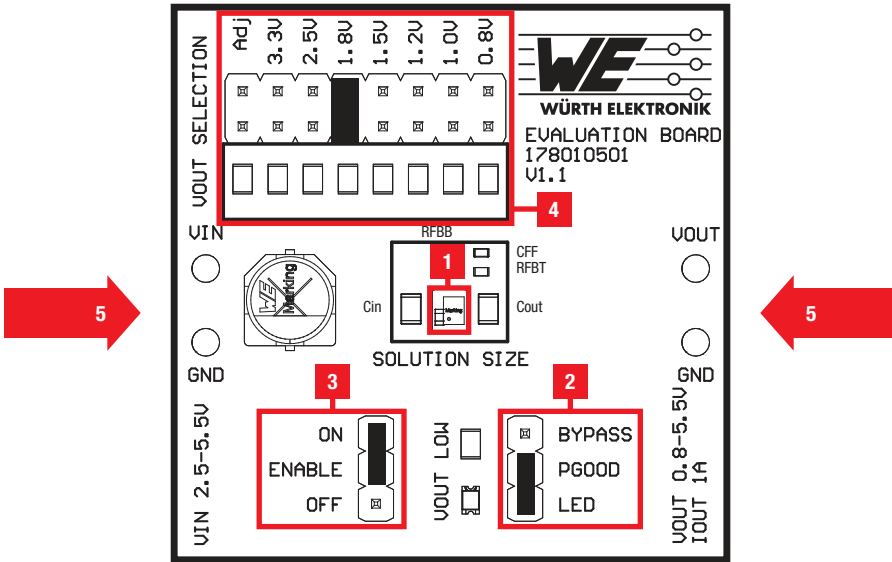
Ref.Des.	Description (Order Code)	
IC1	Magi ² C MicroModule (171010501)	
C ₁	Aluminum polymer capacitor 220 µF/10 V (875105244013)	
C ₂	Ceramic chip capacitor 4.7 µF/25 V X5R, 0805 (885012107018)	
C ₃	Ceramic chip capacitor 10 µF/16 V X5R, 0805 (885012107014)	
	Ceramic chip capacitor 10 µF/10 V X5R, 0805* (885012107010)	
C _{FF}	Ceramic chip capacitor 22 pF/25 V NP0/COG 0402 (885012005009)	
R _{FBT}	24.9 kΩ	
R _{FBB}	Set by jumper	Open for V _{OUT} = 0.8 V
		97.6 kΩ for V _{OUT} = 1.0 V
		48.7 kΩ for V _{OUT} = 1.2 V
		28 kΩ for V _{OUT} = 1.5 V
		19.6 kΩ for V _{OUT} = 1.8 V (default setting)
		11.5 kΩ for V _{OUT} = 2.5 V
		7.87 kΩ for V _{OUT} = 3.3 V
		To be soldered for adjustable output voltage $R_{FBB} = \frac{R_{FBT}}{\frac{V_{OUT}}{V_{FB}} - 1}$
R _{PG}	Pull-up resistor for PG pin 1.1 kΩ	
D1	SMD Chip LED 0805, Red, 2 V _F (150080RS75000)	
J1	Jumper to enable PG diode (150080RS75000) or connect pull-up direct to PG pin (61300311121)	
J2	Jumper for EN connection to either V _{IN} (device enabled) or GND (device disabled) (61300311121)	
J3	Jumper for output voltage selection. Only one resistor should be selected at a time (61301621121)	

* alternative recommended part



For layout, Gerber and STP files visit us on:
www.we-online.com/magic-vdmm

Overview



Description

V_{IN} 2.5–5.5 V V_{OUT} 0.8–5.5 V I_{OUT} 1.0 A

- 1 VDMM Variable Step Down MicroModule LGA6-EP
 - 2 Jumpers (J1) for selection Bypass and LED
 - 3 Jumpers (J2) for ENABLE & shut off the Module
 - 4 Jumpers to set predefined output voltage V_{OUT}
 - 5 Test clip connection pins for V_{IN} and V_{OUT}
- Default jumper position

Absolute maximum ratings

Caution: Exceeding the listed values may affect the device negatively and may cause permanent damage.



This evaluation board is intended to be operated in a research and development environment under the supervision of qualified technicians and engineers who are trained and experienced in the safe use of electronics. This evaluation board was designed and tested according to CISPR32 Class B standards under Würth Elektronik laboratory test conditions, as indicated in the data sheet of the corresponding power module. Operation in other test setups may cause unintended electrical behavior and exceed the stated performance and limits imposed by the CISPR32 Class B standards. This evaluation board is not intended for usage in final applications. This evaluation board is not intended for resale.