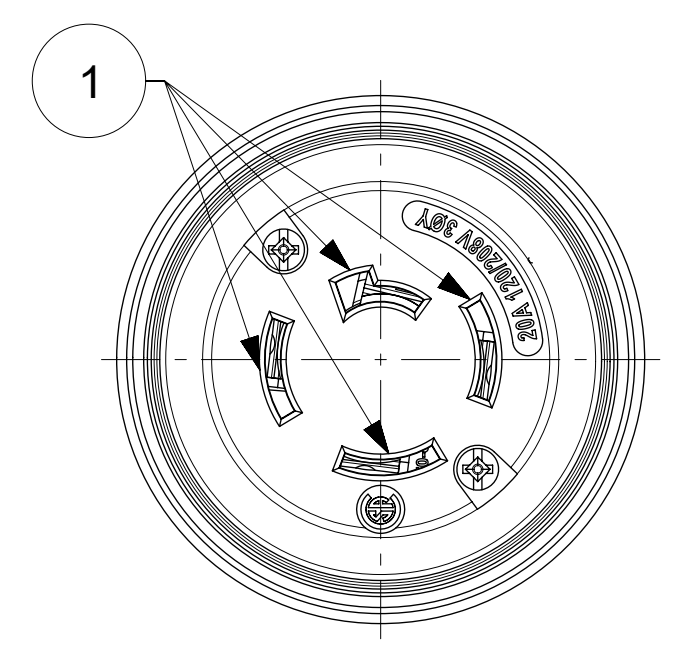
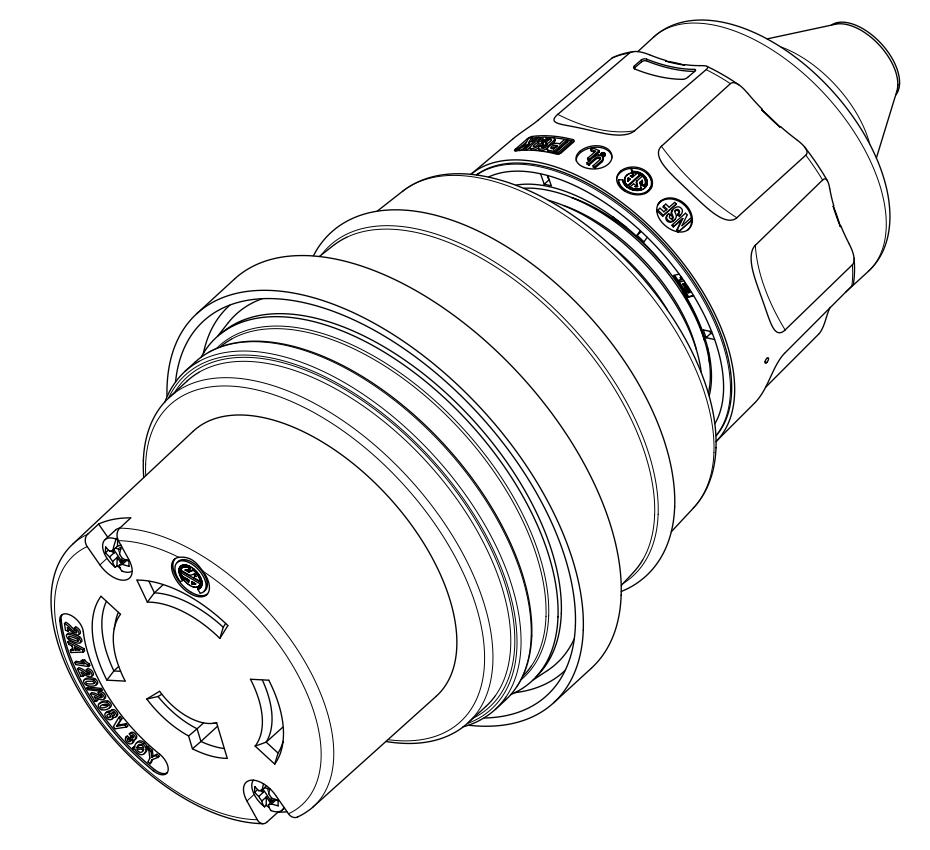
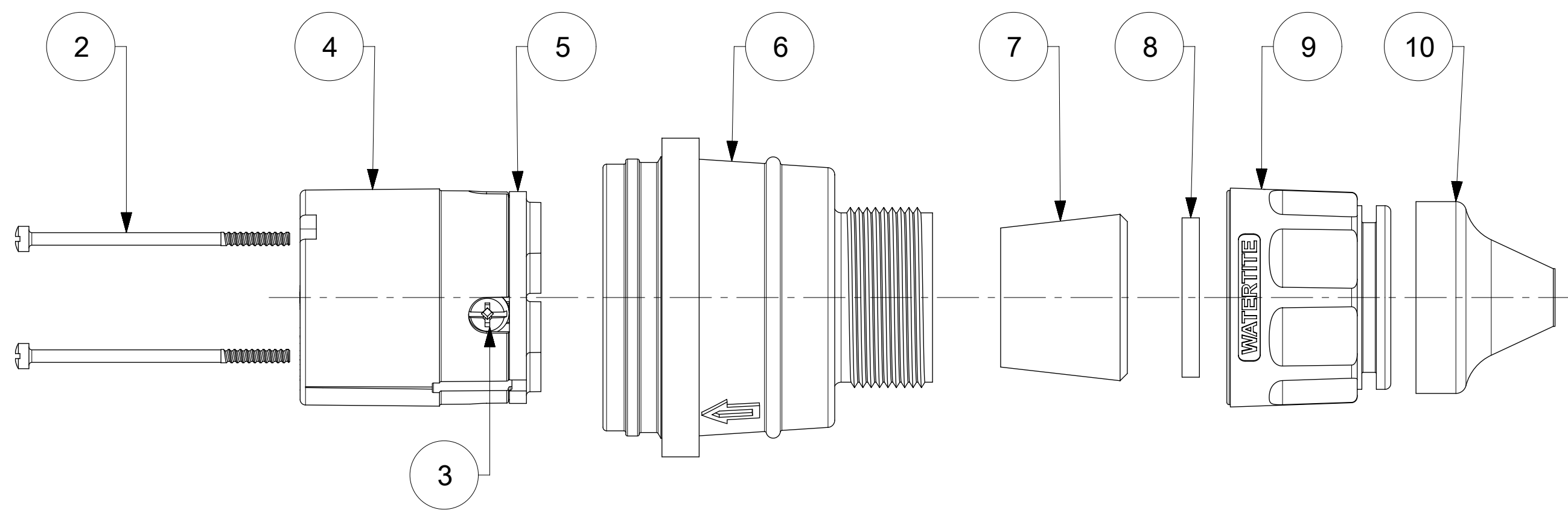
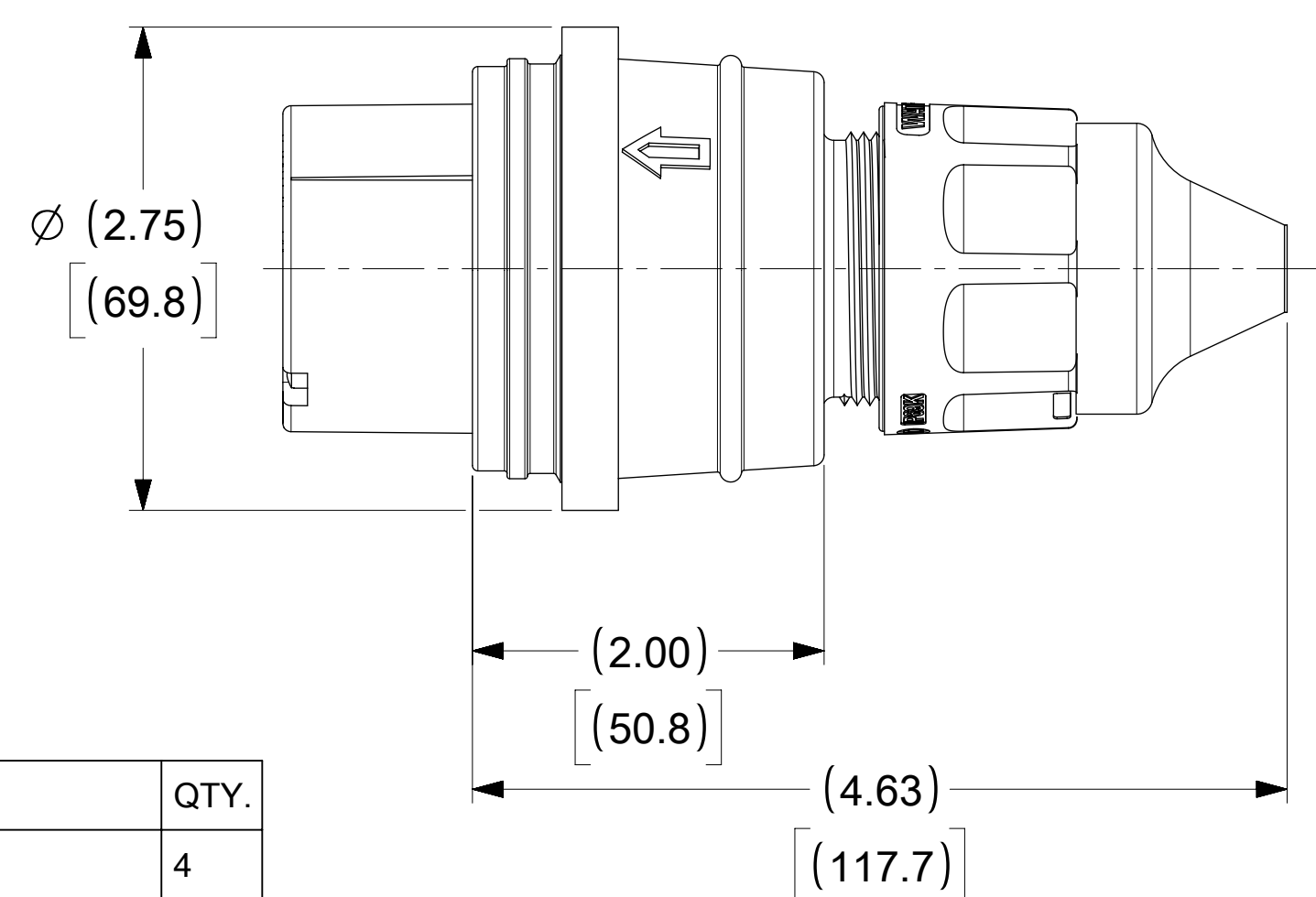


ORDER NO.	WOODHEAD NO.	COLOR
130147-0040	27W09MB	YELLOW



FACE VIEW



NOTE:
1. "ACCEPT CABLE RANGE FROM .562" TO 1.00"'"

ITEM NO.	DESCRIPTIONS	MATERIAL	QTY.
1	BLADE	BRASS, NICKEL PLATED	4
2	RETAINING SCREWS	STAINLESS STEEL	2
3	CLAMP AND TERMINAL SCREW ASSY	BRASS, ZINC PLATED	4
4	INSERT	NYLON	1
5	TERMINAL COVER	POLYCARBONATE	1
6	HOUSING	SILICONE WITH NYLON THREAD	1
7	GROMMET	RUBBER	5
8	FRICTION RING	NYLON	1
9	COMPRESSION NUT	NYLON	1
10	CABLE GLOVE	SILICONE	1

SYMBOLS		THIS DRAWING CONTAINS INFORMATION THAT IS PROPRIETARY TO MOLEX ELECTRONIC TECHNOLOGIES, LLC AND SHOULD NOT BE USED WITHOUT WRITTEN PERMISSION	
∇ = 0	INCH[MM]	SCALE	CURRENT REV DESC:
∇ = 0	NTS	GENERAL TOLERANCES (UNLESS SPECIFIED)	
∇ = 0		MM	INCH
∇ = 0	4 PLACES	±	±
∇ = 0	3 PLACES	±	±
∇ = 0	2 PLACES	±	±
∇ = 0	1 PLACE	±	±
∇ = 0	0 PLACES	±	±
∇ = 0	ANGULAR TOL	± °	
∇ = 0	DRAFT WHERE APPLICABLE MUST REMAIN WITHIN DIMENSIONS	THIRD ANGLE PROJECTION	DRAWING SERIES
			C-SIZE 130147
		EC NO: 617525	2019/02/14
		DRWN: SRPATIL	2019/05/30
		CHK'D: DNGUYEN62	2019/10/16
		APPR: HKNEELAND	
		INITIAL REVISION:	
		DRWN: SRPATIL	2019/02/14
		APPR: HKNEELAND	2019/10/16
		DOCUMENT NUMBER	DOC TYPE DOC PART REVISION
		1301470040	PSD 000 A
		MATERIAL NUMBER	CUSTOMER
		SEE TABLE	GENERAL MARKET
		SHEET NUMBER	1 OF 1