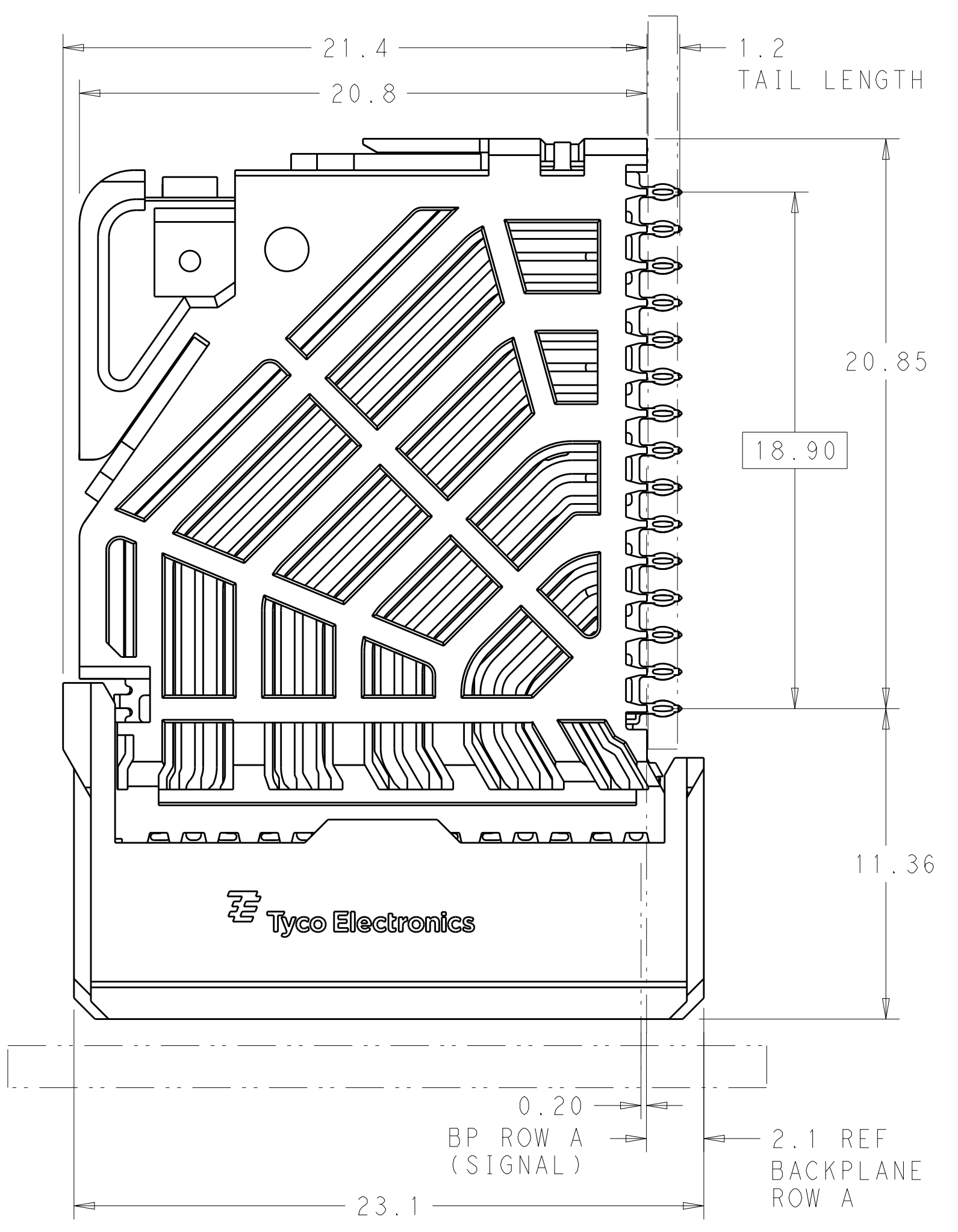
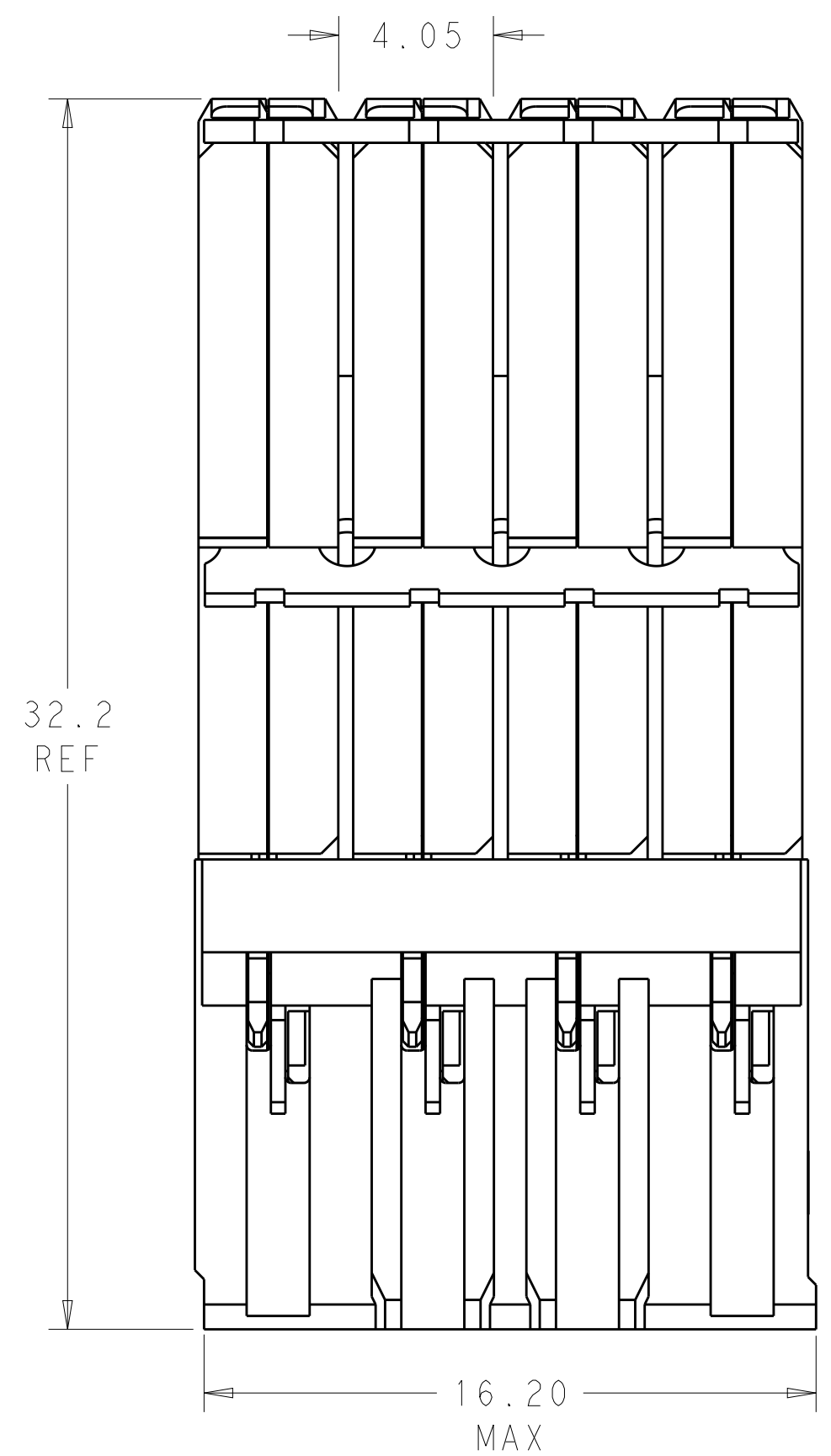
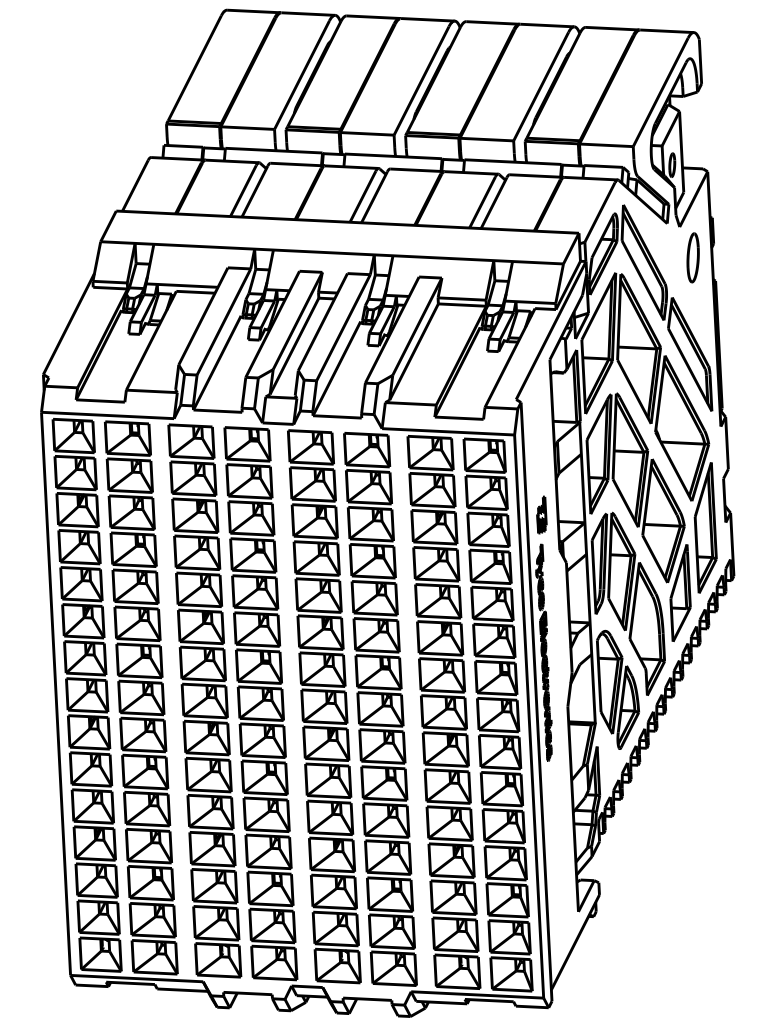


| LOC | DIST | REVISIONS | | | |
|-----|------|-----------|---------------------------|-----------|-------|
| AD | 00 | REV | DATE | BY | APPV |
| | | D | REVISED PER ECO-15-004915 | 13APR2015 | AP DD |



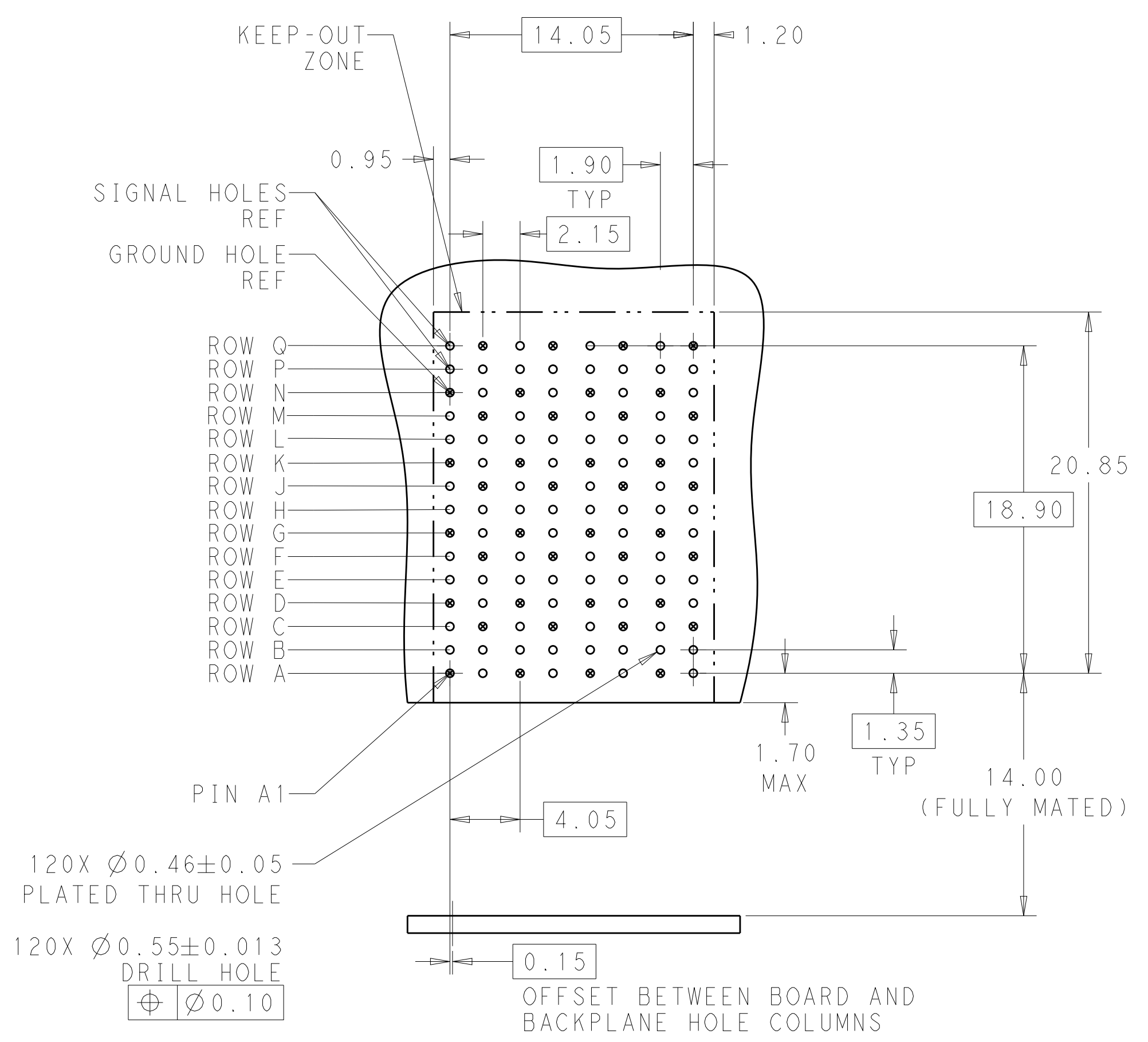
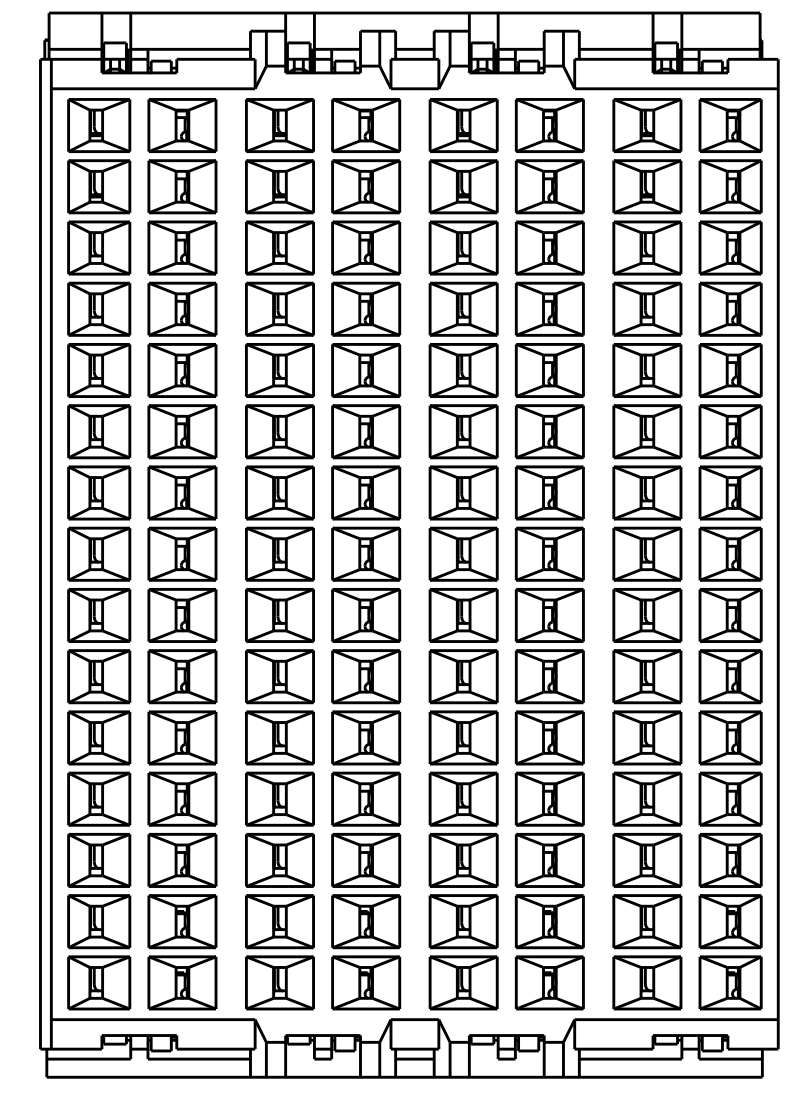
⚠ MATERIAL:
HOUSING: LCP, GLASS FILLED, UL94V-0.
TERMINALS: HIGH PERFORMANCE COPPER ALLOY.

⚠ FINISH:
30µ" SELECTIVE GOLD IN CONTACT AREA. SELECTIVE TIN ON PCB TAILS, NICKEL OVERALL.



SCALE 4:1

REFER TO WWW.TE.COM FOR PRODUCT AVAILABILITY



120X Ø0.46±0.05 PLATED THRU HOLE

120X Ø0.55±0.013 DRILL HOLE

⊕ Ø0.10

OFFSET BETWEEN BOARD AND BACKPLANE HOLE COLUMNS

RECOMMENDED PCB LAYOUT

MIN BOARD THICKNESS 1.0

| | | |
|--|--------|---|
| NONE | ⚠ | 2132701-1 |
| KEY POSITION | FINISH | PART NUMBER |
| STE TE Connectivity | | |
| DIMENSIONS: mm TOLERANCES UNLESS OTHERWISE SPECIFIED: 0 PLC ± 1 PLC ±0.25 2 PLC ±0.15 3 PLC ± 4 PLC ± ANGLES ± MATERIAL ⚠ FINISH SEE TABLE | | DWN: 29APR2011 CHK: D. DIXON 29APR2011 APVD: D. DIXON 29APR2011 NAME: IMPACT. ORTHOGONAL, 5 PAIR, DAUGHTERCARD, 8 COLUMN, NO GUIDE, SIGNAL MODULE, 0.46 EYELET SIZE: A1 CAGE CODE: 00779 DRAWING NO: 2132701 RESTRICTED TO: - WEIGHT: - CUSTOMER DRAWING |
| SCALE 6:1 | | SHEET 1 OF 1 REV D |