



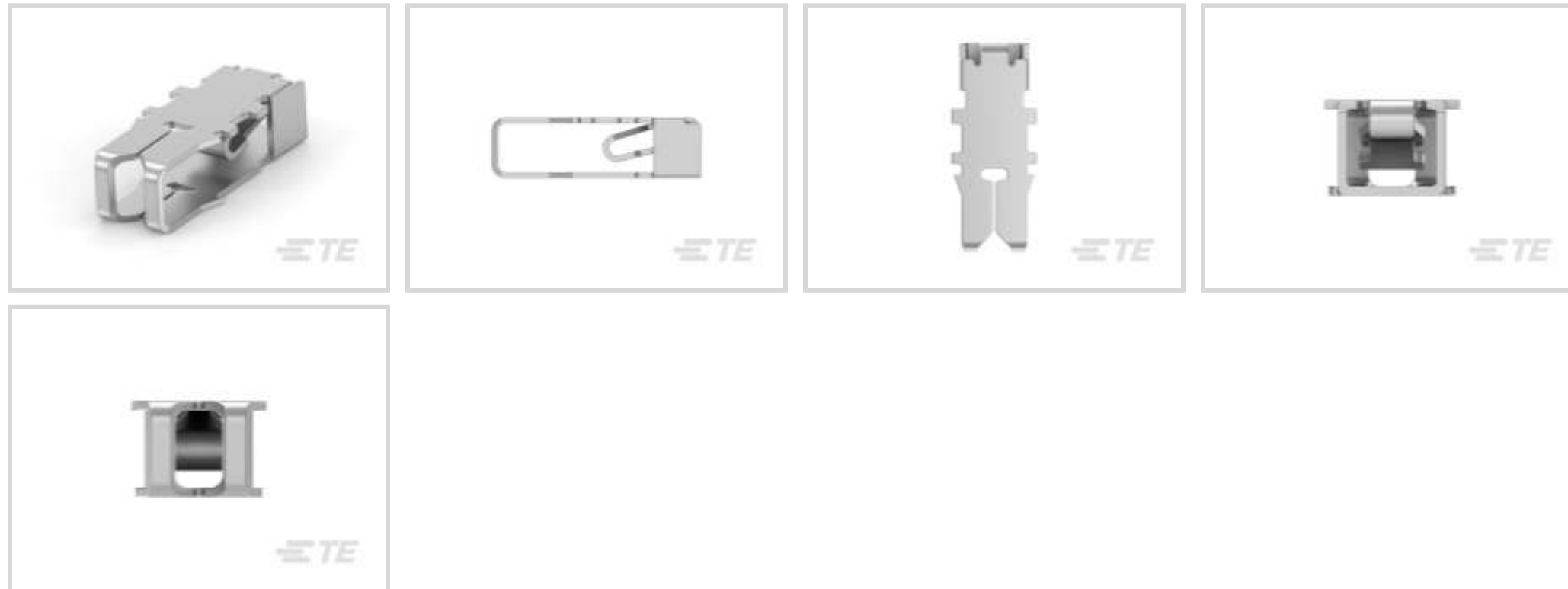
MAG-MATE

TE Internal #: 1-964108-1

Magnet Wire Terminals, Receptacle / Dual Connection Terminal,
Mating Tab Width .11 in [2.79 mm], Size 2, .27 – .4 mm Magnet
Wire, MAG-MATE

[View on TE.com >](#)

Terminals & Splices > Magnet Wire Terminals



Magnet Wire Terminal Type: **Dual Connection Terminal, Receptacle**

Mating Tab Width: **2.79 mm [.11 in]**

Mating Tab Thickness: **.51 mm, .79 mm [.02 in, .031 in]**

Compatible With Cavity Size: **Size 2**

Magnet Wire Size: **30 – 26 AWG**

Features

Product Type Features

Compatible With Discrete Wire Type	Magnet Wire, Solid
------------------------------------	--------------------

Body Features

Compatible With Cavity Size	Size 2
-----------------------------	--------

Contact Features

Magnet Wire Terminal Type	Dual Connection Terminal, Receptacle
Mating Tab Width	2.79 mm[.11 in]
Mating Tab Thickness	.51 mm, .79 mm[.02 in][.031 in]
Terminal Plating Material	Tin
Terminal Orientation	Straight

Termination Features

Termination Method to Wire & Cable	Insulation Displacement (IDC)
------------------------------------	-------------------------------

Dimensions

Terminal Height	11 mm[.433 in]
-----------------	----------------



Magnet Wire Size	.27 – .4 mm
Stock Thickness (Magnet Wire Side)	.32 mm[.013 in]
Product Length	11 mm[.433 in]

Usage Conditions

Insulation Option	Uninsulated
Operating Temperature Range	-65 – 150 °C[-85 – 302 °F]

Operation/Application

Compatible With Wire Base Material	Copper
------------------------------------	--------

Identification Marking

Identification Number	6
-----------------------	---

Packaging Features

Packaging Quantity	10000
Packaging Method	Reel, Reel/Carton

Other

Terminals & Splices Comment	Two magnet wires may be terminated in same terminal if diameters are equal (max. diameter .55mm), Two magnet wires may be terminated in same terminal if diameters are equal (max. diameter 0.55 mm)
-----------------------------	--

Product Compliance

[For compliance documentation, visit the product page on TE.com>](#)

EU RoHS Directive 2011/65/EU	Compliant
EU ELV Directive 2000/53/EC	Compliant
China RoHS 2 Directive MIIT Order No 32, 2016	No Restricted Materials Above Threshold
EU REACH Regulation (EC) No. 1907/2006	Current ECHA Candidate List: JUNE 2023 (235) Candidate List Declared Against: JAN 2023 (233) Does not contain REACH SVHC
Halogen Content	Low Halogen - Br, Cl, F, I < 900 ppm per homogenous material. Also BFR/CFR/PVC Free
Solder Process Capability	Not applicable for solder process capability

Product Compliance Disclaimer

This information is provided based on reasonable inquiry of our suppliers and represents our current actual knowledge based on the information they provided. This information is subject to change. The part numbers that TE has identified as EU RoHS compliant have a maximum concentration of 0.1% by weight in homogenous materials for lead, hexavalent chromium, mercury, PBB, PBDE, DBP, BBP, DEHP, DIBP, and 0.01% for cadmium, or qualify for an exemption to these limits as defined in the Annexes of Directive 2011/65/EU (RoHS2). Finished electrical and electronic equipment products will be CE marked as required by Directive 2011/65/EU. Components may not be CE marked. Additionally, the part numbers that TE has identified as EU ELV compliant have a maximum concentration of 0.1% by weight in homogenous materials for lead, hexavalent chromium, and mercury, and 0.01% for cadmium, or qualify for an exemption to these limits as defined in the Annexes of Directive 2000/53/EC (ELV). Regarding the REACH Regulation, the information TE provides on SVHC in articles for this part number is based on the latest European Chemicals Agency (ECHA) 'Guidance on requirements for substances in articles' posted at this URL: <https://echa.europa.eu/guidance-documents/guidance-on-reach>

Compatible Parts



Also in the Series | MAG-MATE



Insertion & Extraction Tools(7)

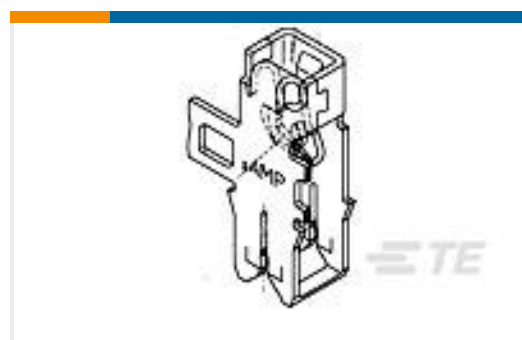


Magnet Wire Terminals(435)



PCB Terminals(1)

Customers Also Bought



TE Part #1-964114-1
MAG MATE KONTAKT2,8

Documents

Product Drawings

MAG-MATE KONTAKT

English

CAD Files

3D PDF

3D

Customer View Model

[ENG_CVM_CVM_1-964108-1_B.2d_dxf.zip](#)

English

Customer View Model

[ENG_CVM_CVM_1-964108-1_B.3d_igs.zip](#)

English

Customer View Model

[ENG_CVM_CVM_1-964108-1_B.3d_stp.zip](#)

English

By downloading the CAD file I accept and agree to the [Terms and Conditions](#) of use.

Datasheets & Catalog Pages

Magnet Wire Terminals & Splices

English

Product Specifications

Application Specification



English

Product Environmental Compliance

Product Compliance

English

Product Compliance

English

Instruction Sheets

CAVITY FOR MAG-MATE CONTACT WITH TAB-RECEPT. 2.8-0.5/0.8

English

Instruction Sheet (non U.S.)

English