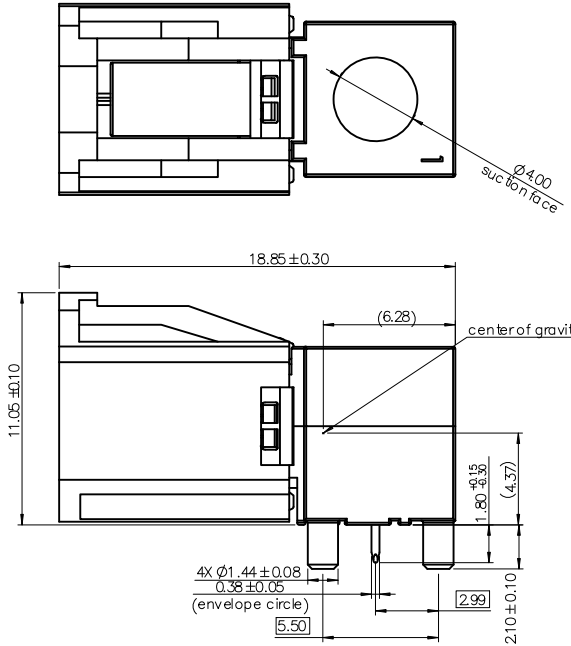
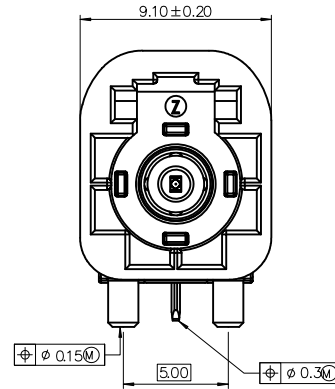
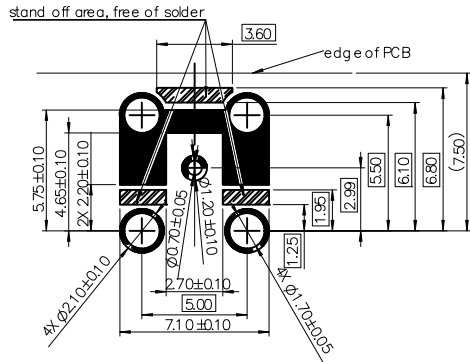


APPROVED: \_\_\_\_\_  
 DATE: \_\_\_\_\_ TITLE: \_\_\_\_\_

Rev	AWO #	Description	Date	Appr
-		RELEASED	6/8/22	
A		UPDATE SPEC.	11/8/22	LH/RC



**SPECIFICATIONS:**

Material:  
 Insulator: Hi-Temp Thermoplastic, rated UL 94V-0  
 Housing: PA, rated UL 94V-0  
 Center Contacts: Brass  
 Outer Contacts (Interface): SUS304, Matte Tin plated  
 Shell: Zamak, Tin Plated

Contact Plating:  
 Contact area: 6u" Gold Plated  
 Solder tails area: 80-160u" Matte Tin Plated  
 Underplate: 80-160u" Nickel underplate overall  
 Electrical:

Working voltage: ≤ 60 VDC  
 Power Current : ≤ 1A DC  
 Impedance: 50Ω  
 Frequency: DC to 9 GHz  
 Center Contact Resistance: ≤15m Ω  
 Outer Contact Resistance: ≤5m Ω  
 Insulation resistance: ≥1x10<sup>3</sup> MΩ  
 Dielectric withstanding voltage: 800 Vrms

Mechanical:  
 Mating Cycles: ≥ 25 Cycles  
 Engagement force: ≤ 15N  
 Disengagement force: ≥ 2N  
 Retention Force Latch: ≥ 110N  
 Coding Efficiency: ≥ 150N  
 Temperature Rating:  
 -40°C to +105°C

Environmental:  
 Lead free, RoHS compliant



**PACKAGED ON TAPE & REEL**

UNLESS OTHERWISE SPECIFIED ALL DIMENSIONS ARE MILLIMETERS. TOLERANCES: EXCEPT AS NOTED				909 Rahway Avenue, Union, NJ 07083	
X	MM ± 0.50	ANGLE ± 5°		Phone: 908-687-5000	
.X	± 0.30		Fax: 908-687-5710		
.XX	± 0.20				
DRAWN	LH	6/8/22	TITLE		
CHECKED	JL	6/8/22	MINI FAKRA RIGHT ANGLE PLUG		
APPROVED			SIZE	PART NO.	REV.
THIS DRAWING CONTAINS INFORMATION THAT IS PROPRIETARY AND SHOULD NOT BE USED WITHOUT PRIOR WRITTEN PERMISSION FROM ADAM TECH			X	MHSD-01X-AM-PRX-T/R	A
REF:	S00013T	SCALE:	NTS	SHEET 1 OF 3	

6

5

4

3

2

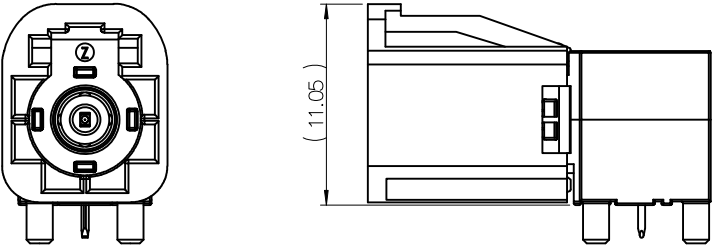
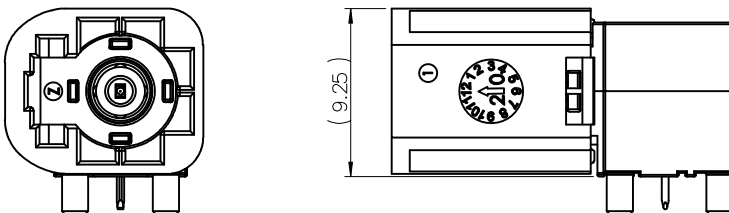
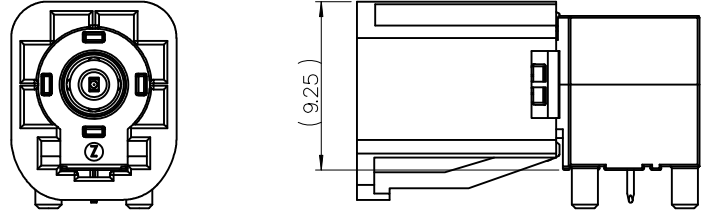
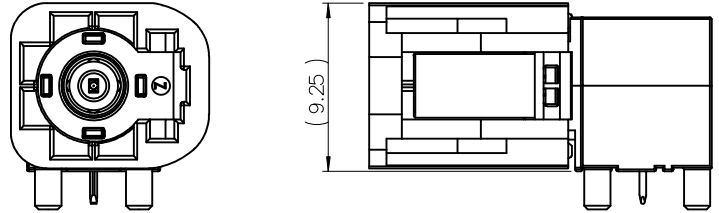
1

APPROVED: \_\_\_\_\_

DATE: \_\_\_\_\_ TITLE: \_\_\_\_\_

Rev	AWO #	Description	Date	Appr
-----	-------	-------------	------	------

SEE SHT 1 OF 3 FOR REVISION

PartNumber	MHSD-01X-AM-PRA-T/R	MHSD-01X-AM-PRC-T/R
Direction	STANDARD ORIENTATION	90° ORIENTATION
		
PartNumber	MHSD-01X-AM-PRB-T/R	MHSD-01X-AM-PRD-T/R
Direction	180° ORIENTATION	270° ORIENTATION
		

UNLESS OTHERWISE SPECIFIED ALL DIMENSIONS ARE MILLIMETERS. TOLERANCES: EXCEPT AS NOTED

	MM	ANGLE
X.	± 0.50	± 5°
.X	± 0.30	
.XX	± 0.20	

DRAWN	LH	6/8/22
CHECKED	JL	6/8/22
APPROVED		

THIS DRAWING CONTAINS INFORMATION THAT IS PROPRIETARY AND SHOULD NOT BE USED WITHOUT PRIOR WRITTEN PERMISSION FROM ADAM TECH

**ADAM TECH**

909 Rahway Avenue,  
Union, NJ 07083  
Phone: 908-687-5000  
Fax: 908-687-5710

TITLE: MINI FAKRA RIGHT ANGLE PLUG

SIZE	PART NO.	REV.
X	MHSD-01X-AM-PRX-T/R	A

REF: S00013T    SCALE: NTS    SHEET 2 OF 3

6

5

4

3

2

1

6

5

4

3

2

1

APPROVED: \_\_\_\_\_

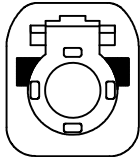
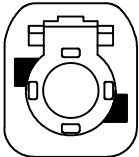
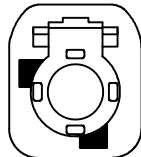
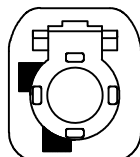
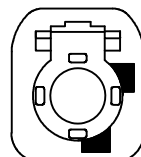
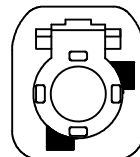
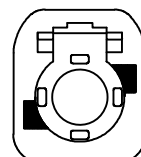
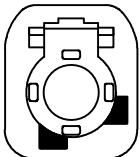
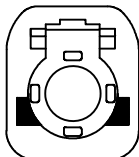


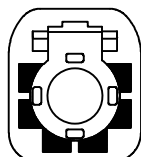
DATE: \_\_\_\_\_ TITLE: \_\_\_\_\_

Rev	AWO #	Description	Date	Appr
-----	-------	-------------	------	------

SEE SHT 1 OF 3 FOR REVISION

Currently only A, B, Z styles Other styles need to open the mold

MHSD-01X-AM-PRX-T/R

Coding	A	B	C	D	E	F	G
Plug							
Color	BLACK	WHITE	BLUE	CLARET VIOLET	GREEN	BROWN	GREY
Coding	H	J	K	N	Z		
Plug							
Color	LIGHT PINK	BEIGE	CURRY	PASTEL GREEN	WATER BLUE		

UNLESS OTHERWISE SPECIFIED ALL DIMENSIONS ARE MILLIMETERS. TOLERANCES: EXCEPT AS NOTED

	MM	ANGLE
X.	± 0.50	± 5°
.X	± 0.30	
.XX	± 0.20	

**ADAM TECH**

909 Rahway Avenue,  
Union, NJ 07083  
Phone: 908-687-5000  
Fax: 908-687-5710

DRAWN	LH	6/8/22
CHECKED	JL	6/8/22
APPROVED		

TITLE		
MINI FAKRA RIGHT ANGLE PLUG		
SIZE	PART NO.	REV.
X	MHSD-01X-AM-PRX-T/R	A
REF: S00013T	SCALE: NTS	SHEET 3 OF 3

THIS DRAWING CONTAINS INFORMATION THAT IS PROPRIETARY AND SHOULD NOT BE USED WITHOUT PRIOR WRITTEN PERMISSION FROM ADAM TECH

6

5

4

3

2

1