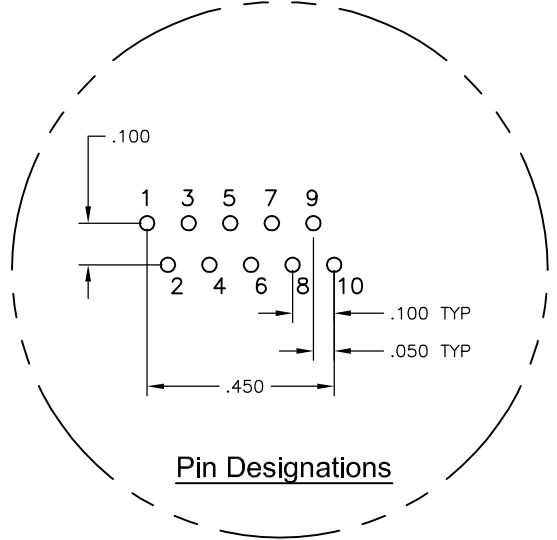
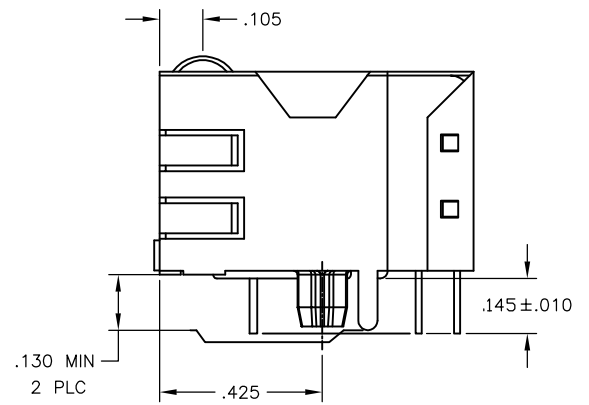
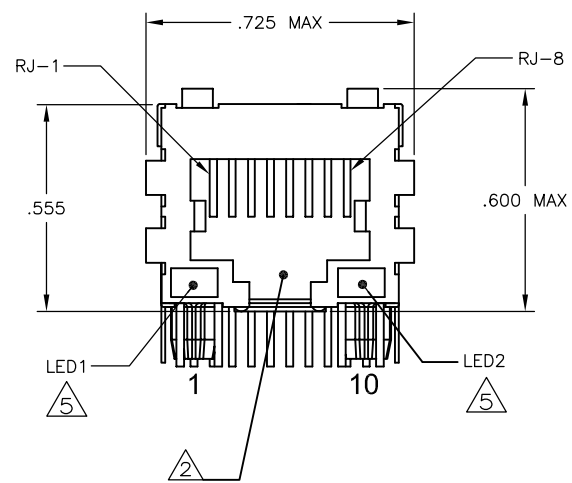
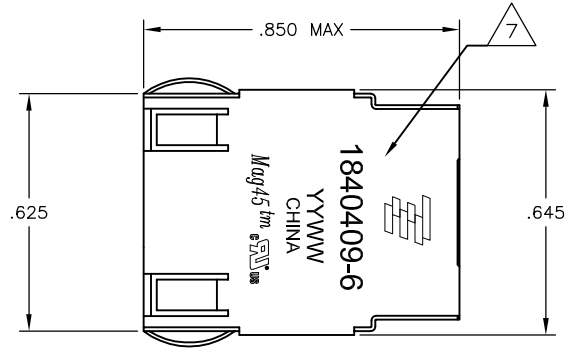


THIS DRAWING IS UNPUBLISHED. RELEASED FOR PUBLICATION
 BY TYCO ELECTRONICS CORPORATION. ALL RIGHTS RESERVED.

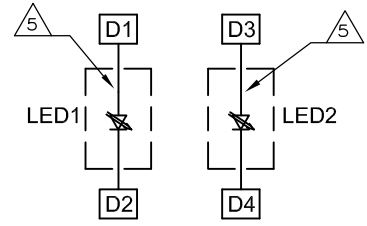
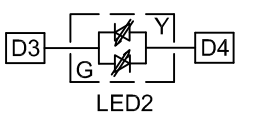
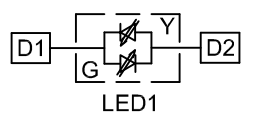
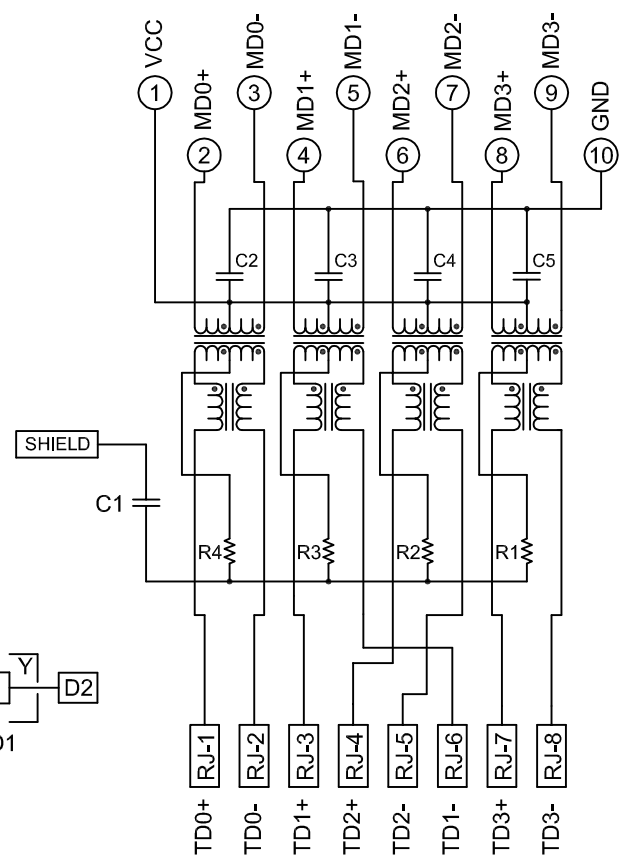
LOC		DIST		REVISIONS			
AA	00	#	LN	DESCRIPTION	DATE	BY	APPD
C				ECO-10-006889	31MAR2014	RY	LR

MECHANICAL:

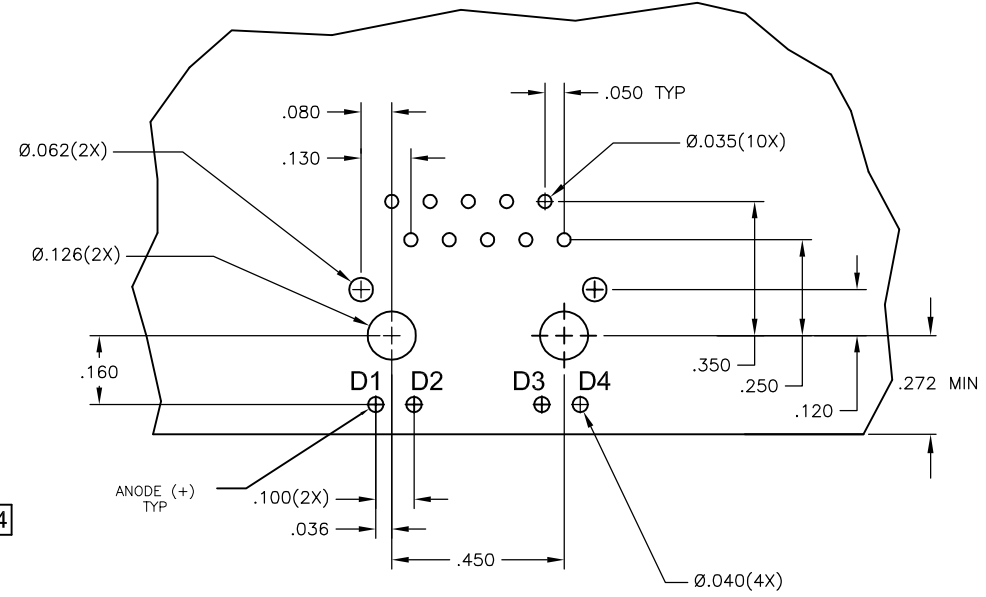


- △ **MATERIALS:**
 HOUSING - THERMOPLASTIC PET POLYESTER FLAMMABILITY RATING UL 94V-0.
 SHIELD - .010" THICK, C26800 BRASS PREPLATED WITH 30uINCH SEMI-BRIGHT NICKEL.
 SOLDER TABS POST DIPPED WITH 100uINCH MIN SAC SOLDER.
 MOD JACK CONTACTS - 0.0157" X 0.018" PHOSPHOR BRONZE, 50uINCH MIN OVERALL NICKEL UNDERPLATE, WITH SELECT 50uINCH MIN HARD GOLD FINISH PLATE SOLDER TAILS WITH 100uINCH MIN MATTE TIN AND/OR SAC SOLDER DIP.
 LIGHT EMITTING DIODE(LED) - DIFFUSED EPOXY LENS, .020" x .020" CARBON STEEL WIREFRAME LEADS PRE-PLATED WITH 80uINCH SILVER OVER 40uINCH NICKEL UNDERPLATE OVER 40uINCH COPPER UNDERPLATE, POST-PLATED WITH 100uINCH MIN MATTE TIN AND/OR SAC SOLDER DIP OR PURE TIN SOLDER DIP.
- △ RJ45 JACK CAVITY CONFORMS TO FCC RULES AND REGULATIONS PART 68, SUB PART F.
- △ **MAGNETICS**
 -APPLICATION: 10/100/1000 BASE-T, EXTENDED TEMPERATURE
 -IMPEDANCE: 100 OHMS
 -TURNS RATIO (CHIP:CABLE): 1:1 ALL FOUR PAIRS
 -OPEN CIRCUIT INDUCTANCE (OCL): 350uH MIN @100kHz, 0.1VRMS, 8mADC BIAS FROM -40°C TO +85°C, ALL FOUR PAIRS
 -ALL FOUR PAIRS BI-DIRECTIONAL
 -PERFORMANCE @ 25°C:
 INSERTION LOSS (IL): 1.1dB MAX FROM 0.5MHz TO 100MHz
 RETURN LOSS (RL): 18dB MIN FROM 0.5MHz TO 40MHz
 12-20LOG(f/80)dB MIN FROM 40.1MHz TO 100MHz
 CROSSTALK ATTENUATION: 35dB MIN FROM 0.5MHz TO 40MHz
 33-20LOG(f/50)dB MIN FROM 40.1MHz TO 100MHz
 COMMON MODE REJECTION RATIO (CMRR): 30dB MIN FROM 0.5MHz TO 100MHz
 -ISOLATION VOLTAGE: COMPLIES WITH IEEE802.3 2002, PARA 40.6.1.1, ITEM b.
- 4. OPERATING TEMPERATURE: FROM -40°C TO +85°C
- △ LED IS DRIVEN WITH CONSTANT CURRENT AT APPROX 20mA.
 LED COLOR: DOMINANT WAVELENGTH (λ D): GREEN 568 nm TYP. at IF=20mA
 FORWARD VOLTAGE (VF): GREEN 2.2V TYP. at IF=20mA
 DOMINANT WAVELENGTH (λ D): YELLOW 588 nm TYP. at IF=20mA
 FORWARD VOLTAGE (VF): YELLOW 2.1V TYP. at IF=20mA
- △ THE MAGNETICS ARE SYMMETRIC, AND SUPPORT AUTO-MDI/MDIX.
- △ TYCO ELECTRONICS LOGO, PART NUMBER, DATE CODE, COUNTRY OF ORIGIN AND AGENCY APPROVAL MARKING IN APPROXIMATE LOCATION SHOWN.
- 8. THE PART IS RECOMMENDED FOR WAVE SOLDERING PROCESS, PREHEAT TEMPERATURE IS 120°C TO 160°C, 120 SECONDS TO 180 SECONDS, PEAK WAVE SOLDERING TEMPERATURE IS 260°C MAX, 10 SECONDS MAX.

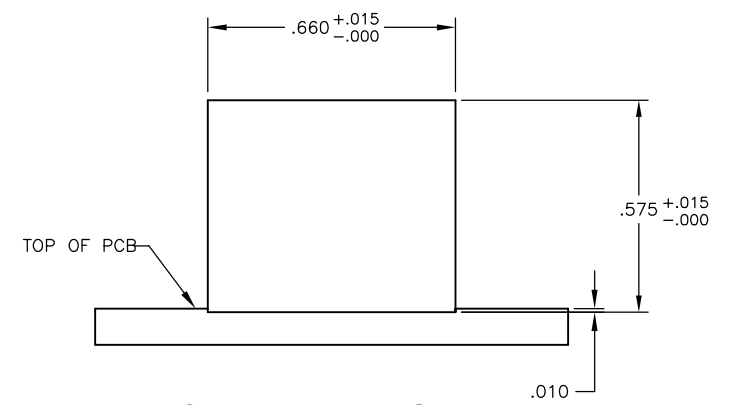
4G06ETP1 Series GIGABIT Magnetic Circuit △△



R1-R4=75 OHMS,1/16W RESISTORS
 C1=1000 pF, 2kV DECOUPLING CAPACITOR
 C2-C5=0.1uF,5%,50V,X7R CAPACITORS



Suggested PCB Layout
(Component Side)



Suggested Panel Cutout

YELLOW	GREEN	1840409-9
GREEN/YELLOW	GREEN/YELLOW	1840409-6
LED1 △	LED2 △	PART NUMBER

THIS DRAWING IS A CONTROLLED DOCUMENT.		DRN: CLOUD ZENG 29MAY2008	Tyco Electronics Corporation	
DIMENSIONS: INCHES		CHK: MICHAEL ZHANG 29MAY2008	Tyco Electronics ChangPing, China	
TOLERANCES UNLESS OTHERWISE SPECIFIED:		APD: TEDDY XIONG 29MAY2008	NAME: 1X1 MAG45(TM), 4G4P1 SCHEMATIC(10 PIN HORIZ), 4G06ETP1 SERIES GIGABIT CIRCUIT, SHIELDED, WITH BI-COLOR LEDS	
0 PLC ± -	1 PLC ± .010	PRODUCT SPEC: 108-2100	SIZE: A1	CASE CODE: 00779
2 PLC ± .005	3 PLC ± .003	APPLICATION SPEC: -	DRAWING NO: C=1840409	RESTRICTED TO: -
4 PLC ± -	ANGLES ± -	MATERIAL: -	SCALE: NTS	SHEET: 1 OF 1
FINISH: △		WEIGHT: -	REV: C	
CUSTOMER DRAWING				