

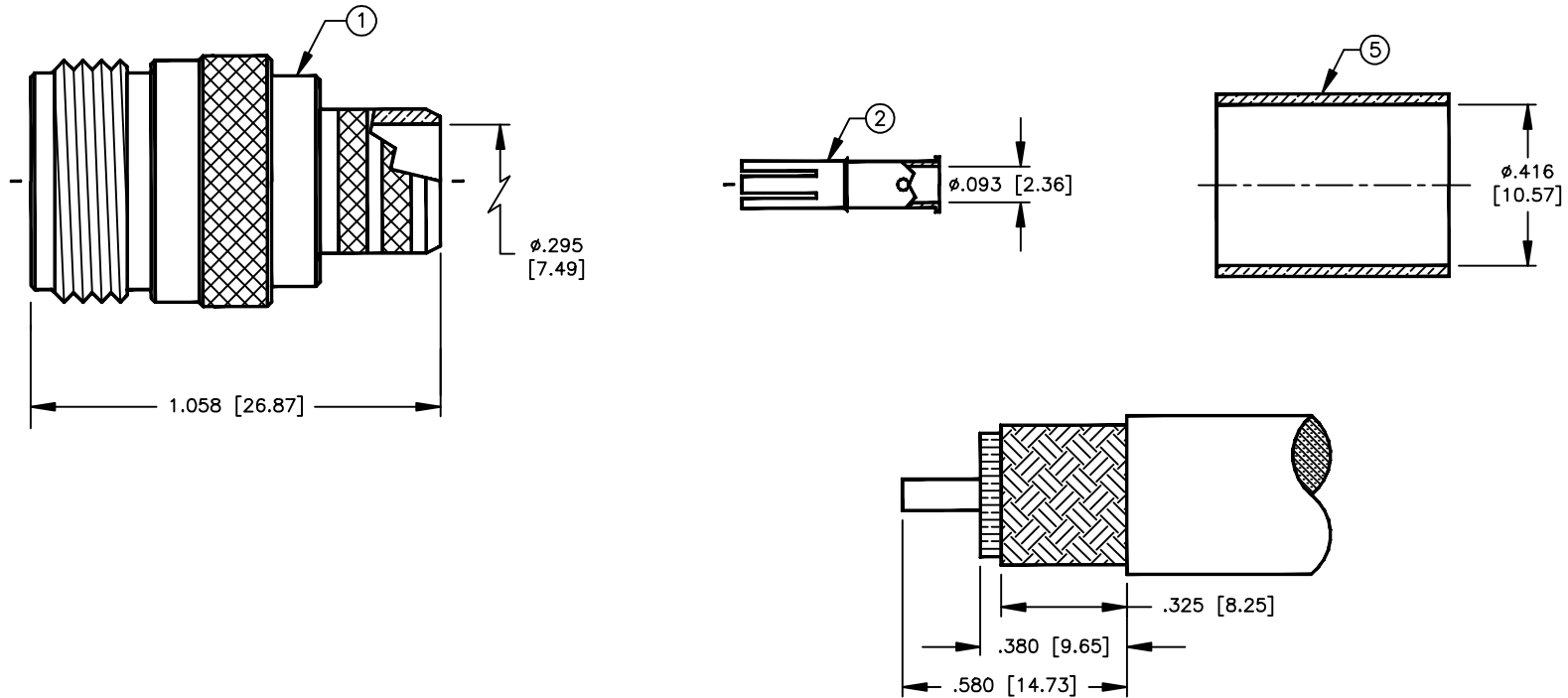
SPECIFICATION CONTROL DRAWING

THIS DRAWING CONTAINS INFORMATION PROPRIETARY TO RF INDUSTRIES, LTD. ANY UNAUTHORIZED USE OF THIS DRAWING IS EXPRESSLY PROHIBITED. ANY VIOLATION IS PUNISHABLE UNDER U.S. COPYRIGHT LAWS.

REV	DESCRIPTION	DWN	DATE	APPROVED
A	ENGINEERING RELEASE	DB	4/8/91	R. SMITH
B	STANDARDIZE	KMM	2/4/94	C. JONES
C	CHANGE FERRULE CONFIGURATION & CONTACT MATERIAL	CZS	12/12/99	J. D. McR

ALL DIMENSIONS ARE REFERENCE ONLY

000000



SUGGESTED STRIPPING INSTRUCTIONS

SUGGESTED CRIMP DIE: .100 & .429

SPECIFICATIONS:

IMPEDANCE: 50 OHMS
 WORKING VOLTAGE: 1000 VRMS @ SEA LEVEL
 FREQUENCY RANGE: 0-11 GHz
 INSERTION LOSS: ≤ -0.2 dB @ 10 GHz
 VSWR MAX: 1.3:1 @ 9 GHz
 FOR RG-8, 8A, 213/U, BELDEN 8237, 8267, 9251 & 9880
 INTERFACE PER MIL-STD-348, SECTION 304.2

DIMENSIONS ARE IN INCHES AND [MILLIMETERS]

UNLESS OTHERWISE NOTED TOLERANCES ARE:

DECIMALS DIAMETER

RF connectors
 DIVISION OF RF INDUSTRIES, LTD.

7610 MIRAMAR RD
 SAN DIEGO, CA 92126
 (858) 549-6340
 (858) 549-6345 FAX

RFN-1028

N FEMALE CRIMP

ITEM	DESCRIPTION	QTY	MATERIAL	FINISH
5	FERRULE [FER-205]	1	BRASS	SILVER
4	PRESS FIT GND RING	1	BRASS	SILVER
3	DIELECTRIC	1	PTFE	NONE
2	CONTACT [CON-305-10]	1	PHOSPHOR BRONZE	GOLD
1	BODY	1	BRASS	SILVER

DRAWN	C. ZUNIGA	12/12/99
CHECKED		
ORJ DRAWN	D. BRUMLEY	4/11/91
APPROVALS		DATE

SIZE	CABLE GROUP	DWG NO.	REV
A	E	7141	C
SCALE: 2:1		CAD FILE 13ARC B	SHEET 1 OF 1