

# 78455-\*\*-0\*

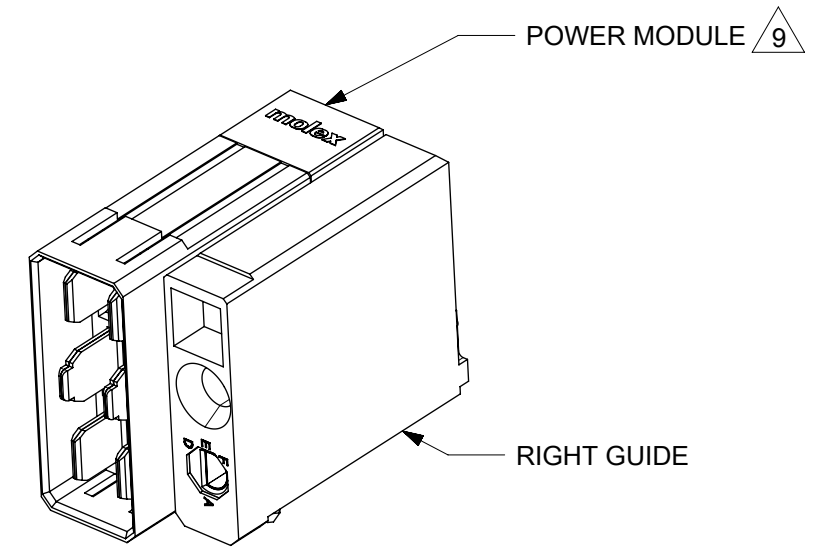
PLATING OPTION	GUIDE LOCATION & ESD OPTION	*
TIN	RIGHT GUIDE WITH ESD	2
	RIGHT GUIDE WITHOUT ESD	4

*	POLARIZATION KEY ORIENTATION
0	NO KEY
1	A
2	B
3	C
4	D
5	E
6	F
7	G
8	H

POWER MODULE 1			
*	BLADE LENGTH		
	P1	P2	P3
1	6.90	6.90	6.90
2	5.70	5.70	6.90
5	5.70	5.70	5.70
7	5.70	6.90	6.90

**NOTES:**

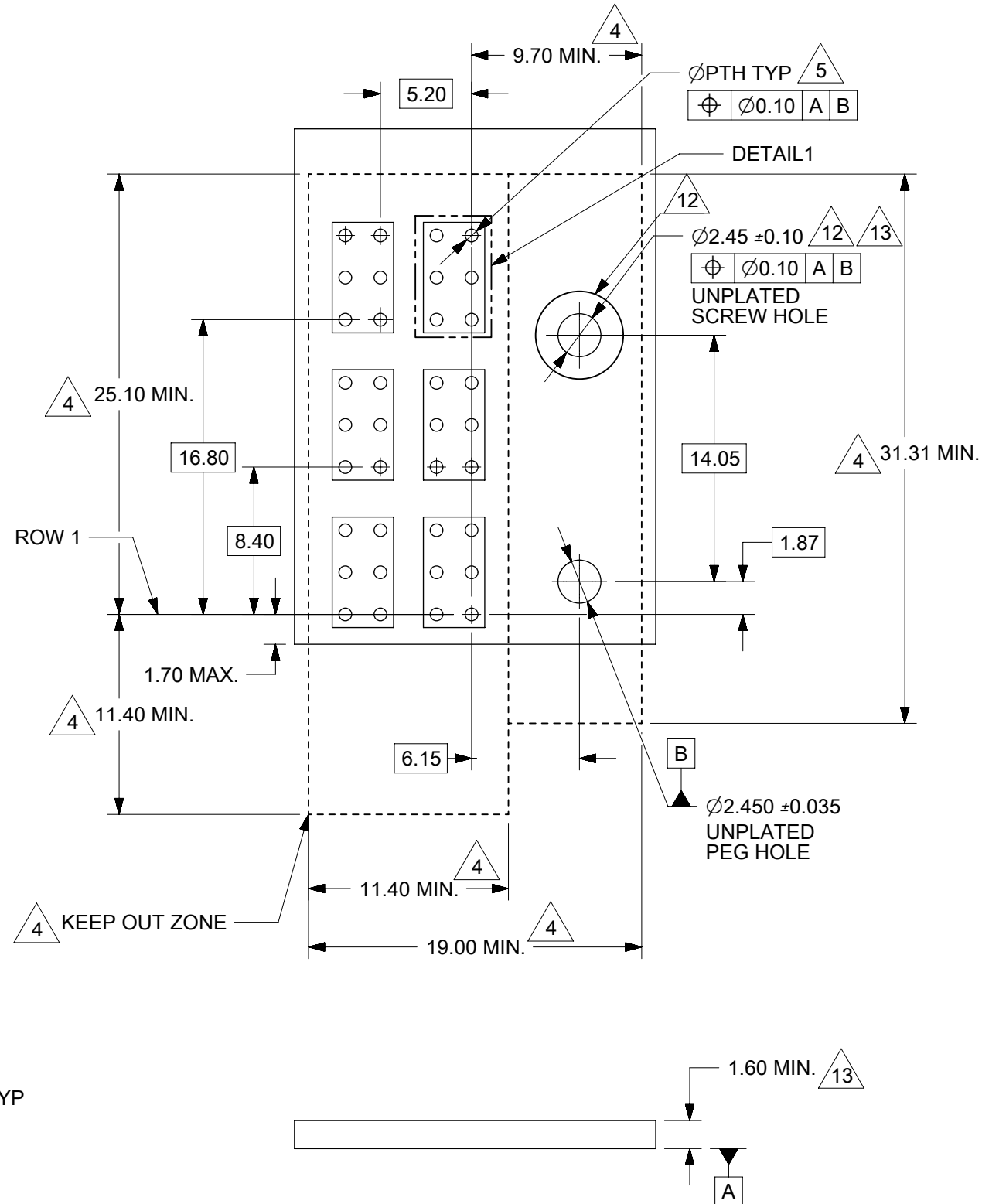
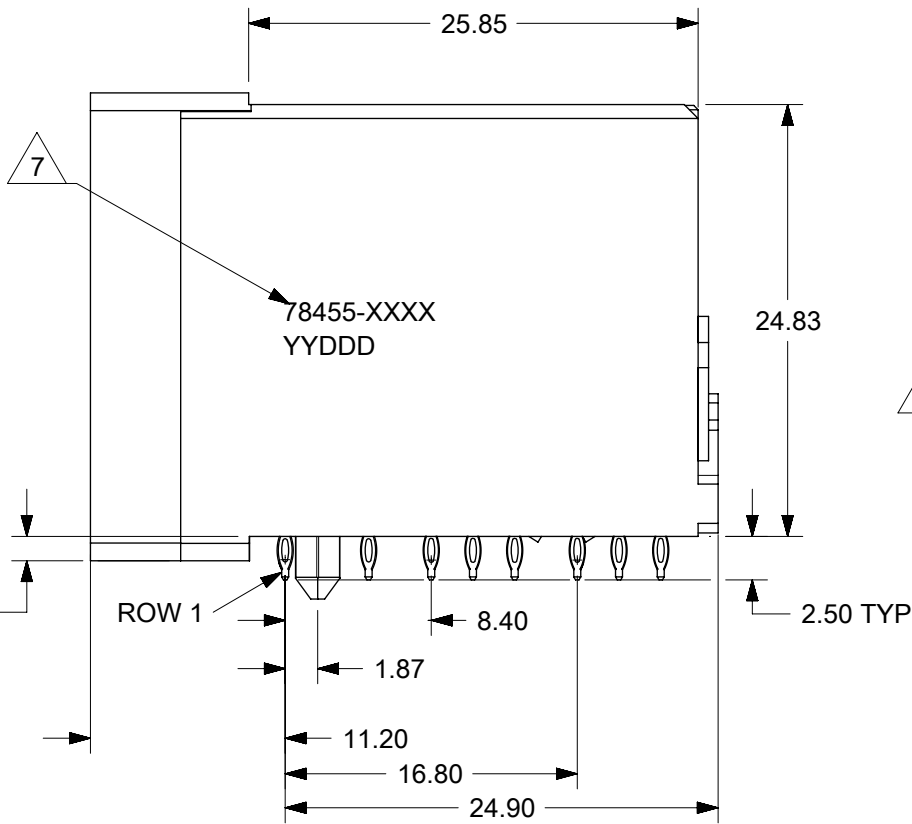
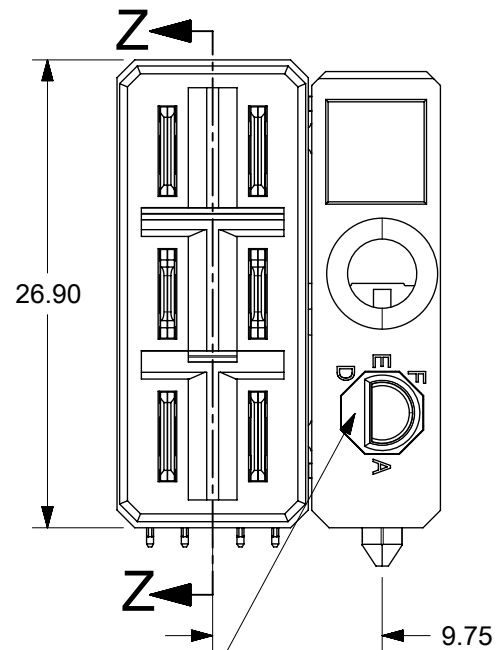
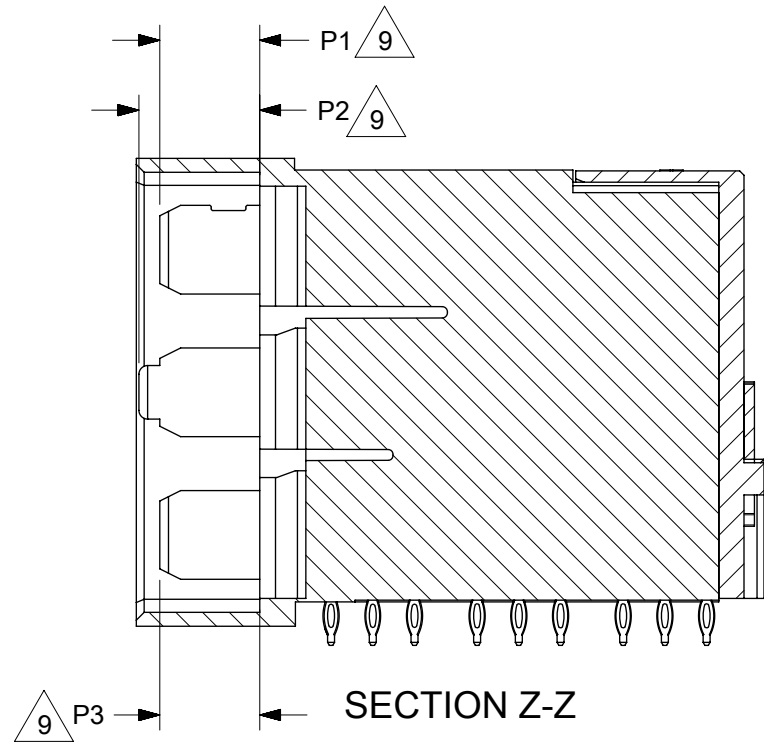
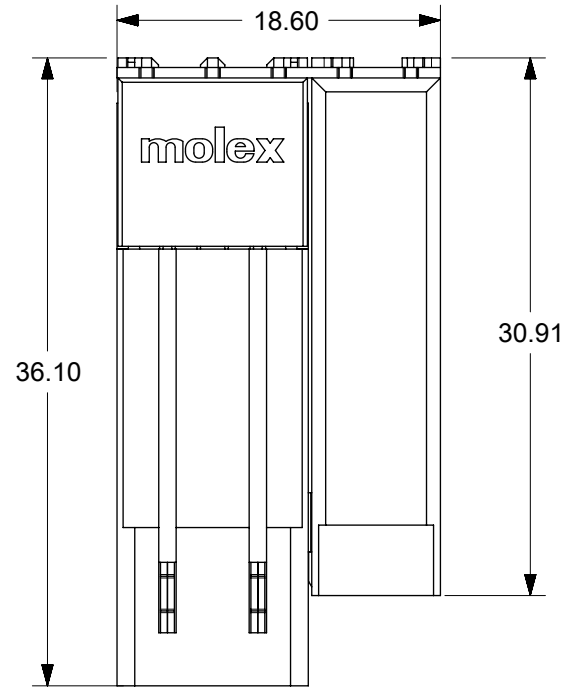
- MATERIALS:**  
HOUSING - HIGH TEMP. THERMOPLASTIC, GLASS FILLED, UL94-V0,COLOR:BLACK.  
POWER PIN - COPPER ALLOY.
- FINISH:**  
POWER CONTACTS  
0.76µm MINIMUM GOLD AT CONTACT AREA AND  
2.54µm MINIMUM TIN AT SOLDER TAIL AREA  
OVER 1.27µm MINIMUM NICKEL UNDERPLATE.
- PRODUCT SPECIFICATION:** PS-78213-001.
- COMPONENT STAY AWAY ZONE FROM CONNECTOR.
- REFER TO MOLEX PRODUCT SPECIFICATION PS-78213-001 FOR PLATED THROUGH-HOLE SPECIFICATIONS.
- MATES WITH 78218-\*\*\*\*.
- PART NUMBER AND YEAR-DAY CODE. CAN BE AT THE OPPOSITE SIDE.
- CONNECTORS ARE PACKED IN A TRAY.
- REFER TO SD-78217-002 FOR DETAILS OF THE POWER MODULE .
- ALL PARTS ARE SHIPPED WITH A 2-32 TYPE AB SELF-TAPPING SCREW PART NUMBER 73726-0000.
- PACKAGING SPECIFICATION:**  
PK-78455-001 (1X MODULE WITH GUIDE MODULE)
- FOR THE ESD GROUNDED GUIDE VERSION, USE DIA 2.45±0.10 (PTH), DIA 2.58 (DRILL), AND DIA 4.50 (PAD).
- WHEN USING MOLEX SUPPLIED SCREW 73726-0000, THE MAXIMUM BOARD THICKNESS IS 4.4mm.



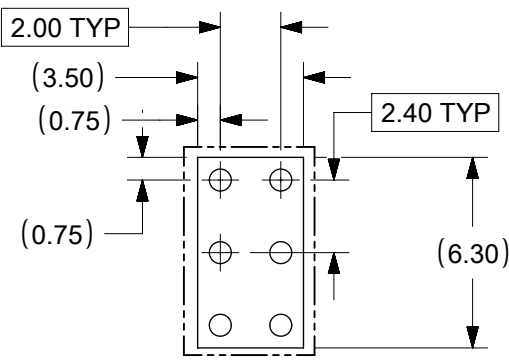
HEADER WITH RIGHT GUIDE (FIG. 1)

THIS DRAWING CONTAINS INFORMATION THAT IS PROPRIETARY TO MOLEX ELECTRONIC TECHNOLOGIES, LLC AND SHOULD NOT BE USED WITHOUT WRITTEN PERMISSION										
DIMENSION UNITS	SCALE	CURRENT REV DESC: MIGRATED TO NX								
mm	NTS									
GENERAL TOLERANCES (UNLESS SPECIFIED)		EC NO: 612508		DRWN: SKRISHNAMU01 2019/02/01		IMPACT POWER 6P HDR W/GUIDE MODULE R P/F ASSEMBLY SALES DRAWING				
ANGULAR TOL ± 3.0°		CHK'D: ABN 2019/03/12		APPR: CWANG25 2019/03/13						
4 PLACES ±		INITIAL REVISION:				PRODUCT CUSTOMER DRAWING				
3 PLACES ±		DRWN: CTCHO 2012/03/05		APPR: SHONG 2012/03/22		DOCUMENT NUMBER		DOC TYPE	DOC PART	REVISION
2 PLACES ± 0.25						SD-78455-001		PSD	001	A3
1 PLACE ±						MATERIAL NUMBER		CUSTOMER		SHEET NUMBER
0 PLACES ±		THIRD ANGLE PROJECTION		DRAWING	SERIES	SEE TABLE		GENERAL MARKET		1 OF 3
DRAFT WHERE APPLICABLE MUST REMAIN WITHIN DIMENSIONS		THIRD ANGLE PROJECTION		B-SIZE	78455					

# POWER MODULE WITH RIGHT GUIDE MODULE



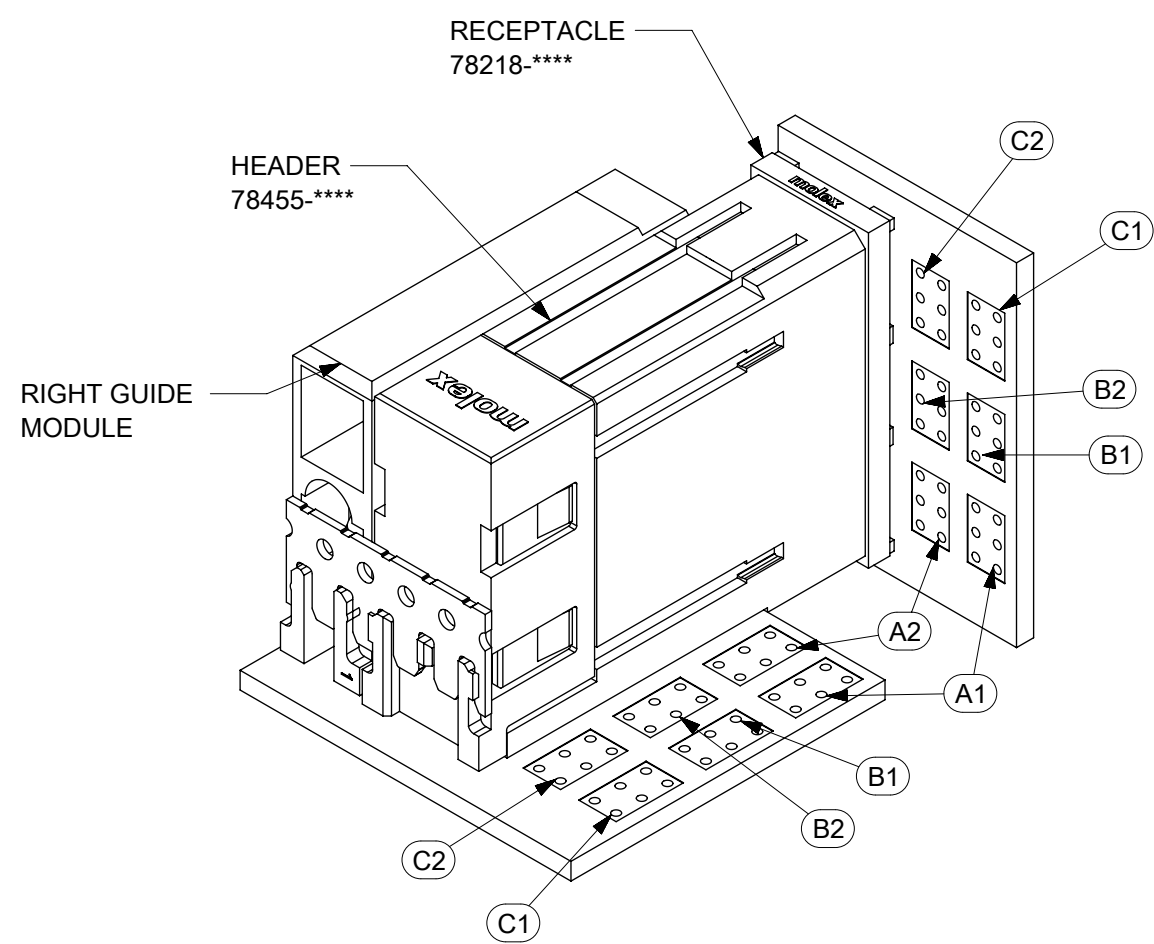
PCB LAYOUT HOLD DOWN RIGHT  
(COMPONENT SIDE SHOWN)



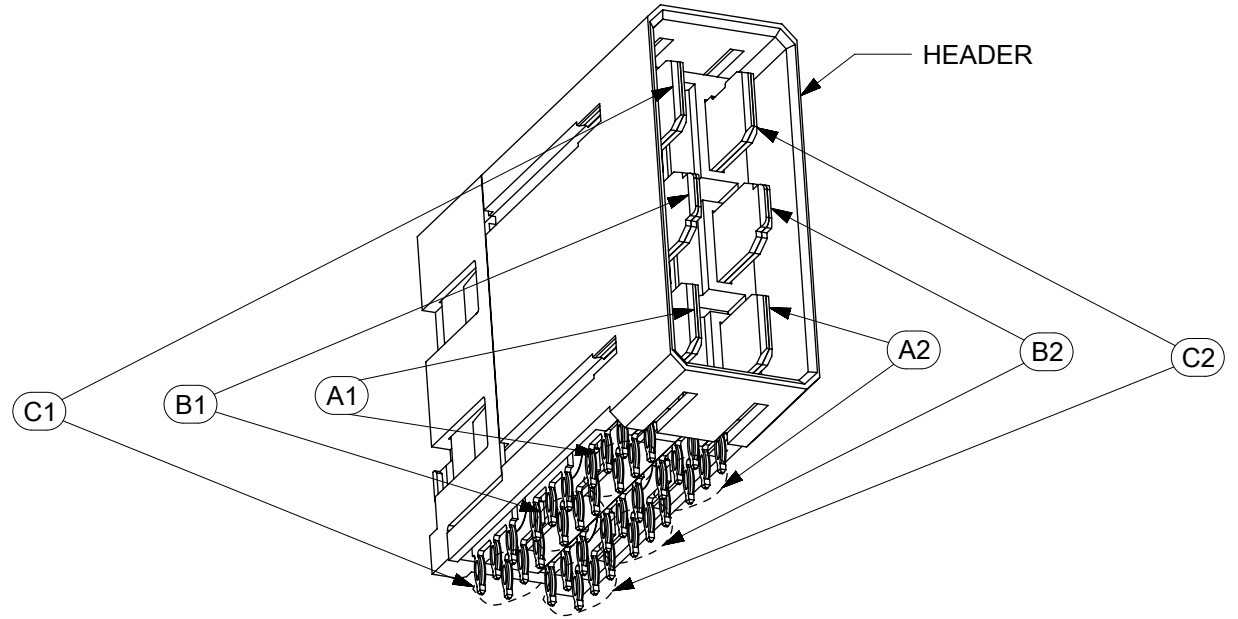
COPPER PAD REFERENCE  
DETAIL 1

THIS DRAWING CONTAINS INFORMATION THAT IS PROPRIETARY TO MOLEX ELECTRONIC TECHNOLOGIES, LLC AND SHOULD NOT BE USED WITHOUT WRITTEN PERMISSION		CURRENT REV DESC: MIGRATED TO NX			
DIMENSION UNITS	SCALE				
mm	NTS			IMPACT POWER 6P HDR W/GUIDE MODULE R P/F ASSEMBLY SALES DRAWING	
GENERAL TOLERANCES (UNLESS SPECIFIED)		EC NO: 612508		DOCUMENT NUMBER	
ANGULAR TOL ± 3.0°		DRWN: SKRISHNAMU01 2019/02/01		SD-78455-001	
4 PLACES ±		CHK'D: ABN 2019/03/12		DOC TYPE DOC PART REVISION	
3 PLACES ±		APPR: CWANG25 2019/03/13		PSD 001 A3	
2 PLACES ± 0.25		INITIAL REVISION:		MATERIAL NUMBER	
1 PLACE ±		DRWN: CTCHO 2012/03/05		CUSTOMER	
0 PLACES ±		APPR: SHONG 2012/03/22		GENERAL MARKET	
DRAFT WHERE APPLICABLE MUST REMAIN WITHIN DIMENSIONS		THIRD ANGLE PROJECTION	DRAWING	SERIES	SHEET NUMBER
			A3-SIZE	78455	2 OF 3

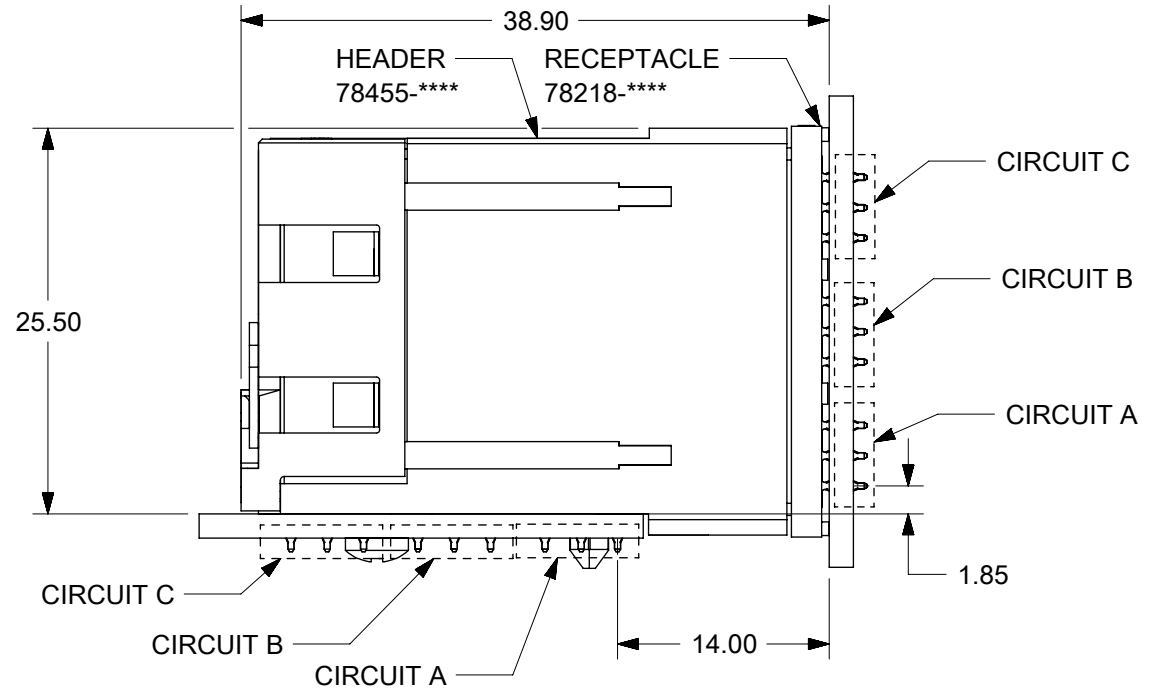
DOCUMENT STATUS	P1	RELEASE DATE	2019/03/13	10:32:48
-----------------	----	--------------	------------	----------



RIGHT GUIDE:  
1 POWER MODULE REMOVED TO  
ILLUSTRATED CIRCUIT PATH OF MATED SYSTEM



PIN NUMBER ASSIGNMENT BASED ON HEADER SIDE:  
A1, B1 ON THE LEFT  
A2, B2 ON THE RIGHT



MATED SYSTEM OF 78218 & 78455

THIS DRAWING CONTAINS INFORMATION THAT IS PROPRIETARY TO MOLEX ELECTRONIC TECHNOLOGIES, LLC AND SHOULD NOT BE USED WITHOUT WRITTEN PERMISSION									
DIMENSION UNITS		SCALE		CURRENT REV DESC: MIGRATED TO NX					
mm		NTS		<p>IMPACT POWER 6P HDR W/GUIDE MODULE R/P/F ASSEMBLY SALES DRAWING</p> <p>PRODUCT CUSTOMER DRAWING</p>					
GENERAL TOLERANCES (UNLESS SPECIFIED)									
ANGULAR TOL ± 3.0°									
4 PLACES ±									
3 PLACES ±									
2 PLACES ± 0.25									
1 PLACE ±				EC NO: 612508		DRWN: SKRISHNAMU01		2019/02/01	
0 PLACES ±				CHK'D: ABN		2019/03/12		APPR: CWANG25	
DRAFT WHERE APPLICABLE MUST REMAIN WITHIN DIMENSIONS				THIRD ANGLE PROJECTION		DRAWING		SERIES	
				A3-SIZE		78455		MATERIAL NUMBER	
DOCUMENT STATUS		P1		RELEASE DATE		2019/03/13		10:32:48	
								CUSTOMER	
								GENERAL MARKET	
								SHEET NUMBER	
								3 OF 3	