

4

3

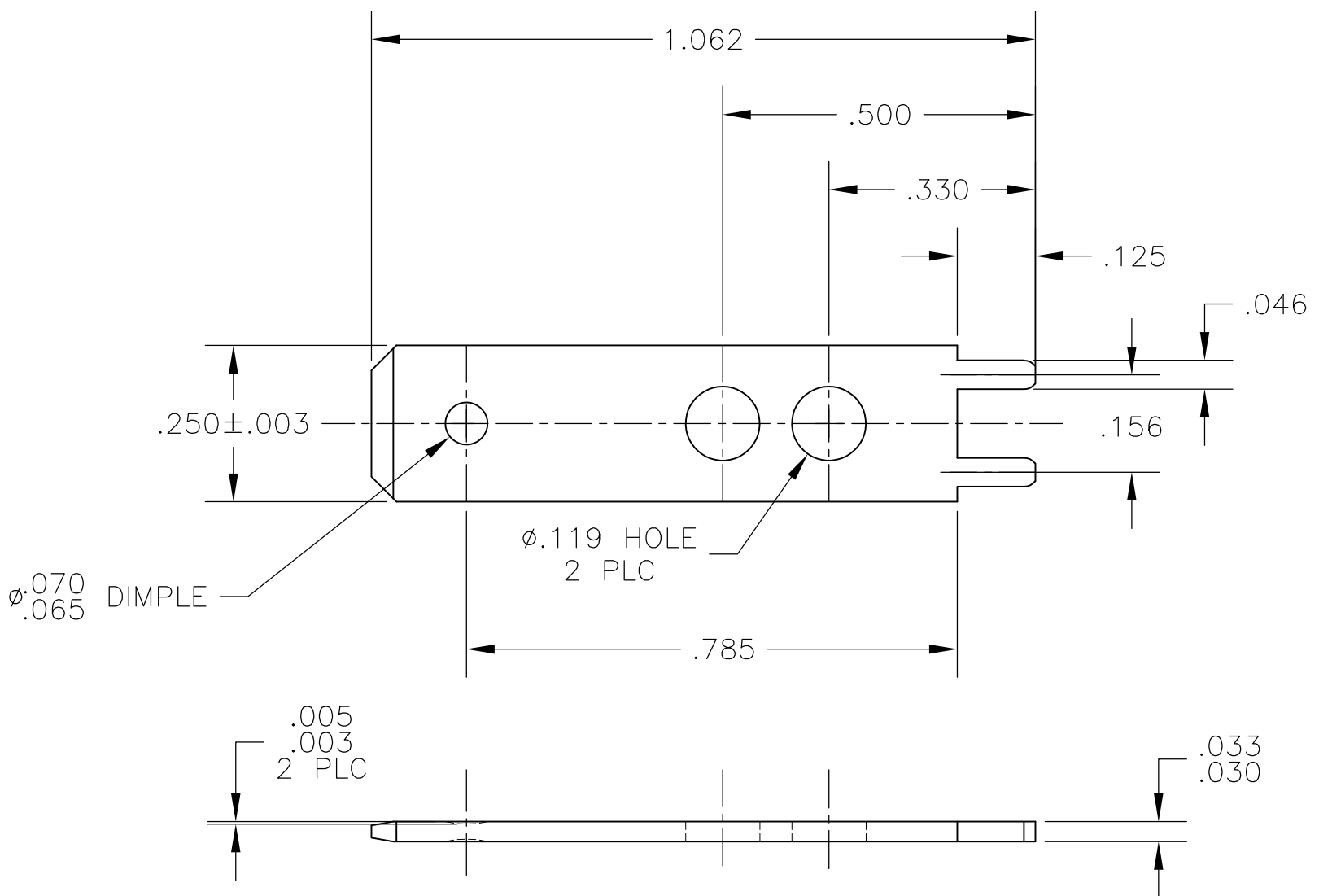
2

1


THIS DRAWING IS UNPUBLISHED. RELEASED FOR PUBLICATION  
 © COPYRIGHT - By - ALL RIGHTS RESERVED.

LOC		DIST		REVISIONS			
P	LTR	DESCRIPTION		DATE	DWN	APVD	
AF	50	F		REVISED PER ECR-13-001204	03JUN13	KH	PD

1 SUPPLIED IN LOOSE PIECE



62262-1  
 PART NO.

THIS DRAWING IS A CONTROLLED DOCUMENT.		DWN	JR RUTH	03APR01	 <b>TE Connectivity</b>		
DIMENSIONS: INCHES		CHK	MS FEHER	03APR01			
TOLERANCES UNLESS OTHERWISE SPECIFIED:		APVD	N DEIBERT	03APR01	NAME		
0 PLC ± - 1 PLC ± - 2 PLC ± - 3 PLC ± .015 4 PLC ± - ANGLES ± -		PRODUCT SPEC		TAB, FASTON, .250 SERIES			
MATERIAL		APPLICATION SPEC		SIZE			RESTRICTED TO
BRASS		FINISH		CAGE CODE		DRAWING NO	
TIN OVER COPPER		WEIGHT		A3 00779		C-62262	
CUSTOMER DRAWING				SCALE	4:1	SHEET	1 OF 1
				REV	F		