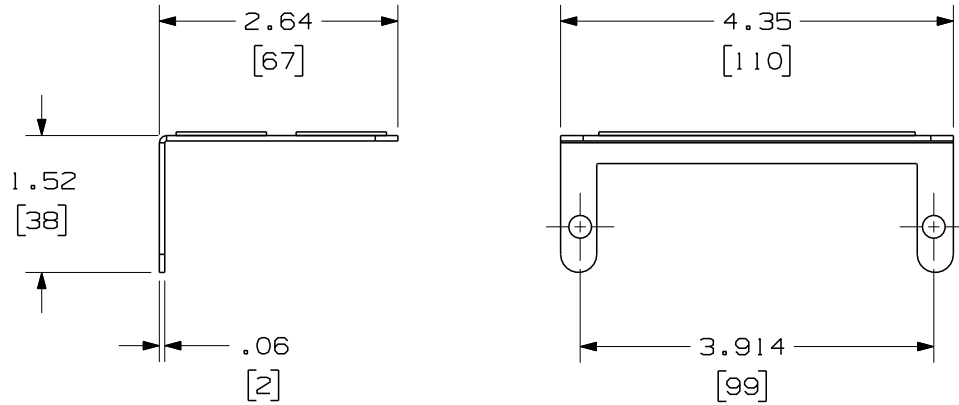


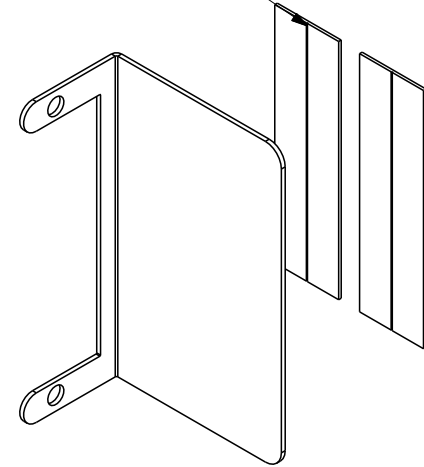
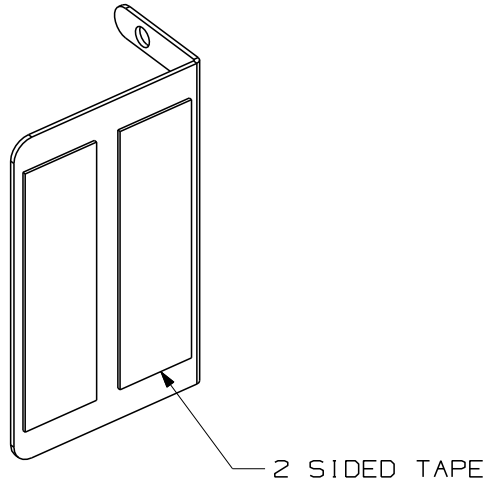
THIS COPY IS PROVIDED ON A RESTRICTED BASIS AND IS NOT TO BE USED IN ANY WAY DETRIMENTAL TO THE INTERESTS OF PANDUIT CORP.



NOTES:

1. SEE CURRENT CATALOG FOR PART NUMBER SUFFIXES TO INDICATE COLOR AND/OR PACKAGE QUANTITIES.
2. SEE CATALOG FOR COMPLETE LIST OF PARTS APPLICABLE FOR USE WITH THIS PRODUCT.
3. MATERIAL: POWDER COATED C.R.S. PLATE.
4. ALL DIMENSIONS IN BRACKETS ARE METRIC

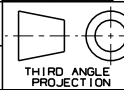
MAGNETIC STRIPS POSITIONED WITH GROOVES TOWARD THE 2 SIDED TAPE AS SHOWN



FIBER ENCLOSURE ADAPTER PANEL 0 RU 90°  
CUSTOMER DRAWING



**PANDUIT**™  
CORP.  
TINLEY PARK, ILL 60477



THIRD ANGLE  
PROJECTION  
DRAWN BY  
MTV

DATE  
07-12-06

CHK'D  
MTV

ALL DIMENSIONS ARE GIVEN IN INCHES, UNLESS OTHERWISE SPECIFIED.

DIMENSIONAL TOLERANCES ARE:  
(.X) (.XXX) ± .010 (0.3)  
(.XX) ± .03 (0.8) ANGLES

DRAWING FILENAME  
MO2160BH\_DC\_00B.prt

SCALE  
NONE

PART NO.  
FEABRUA

DRAWING NO.  
02160-03  
SIZE  
A

01	10-31-06	MC		RELEASED TO PRODUCTION	02160-03														
REV	DATE	BY	CHK	DESCRIPTION	ECN	R	CUST	SUP	OTH	CHK'D	MTV								