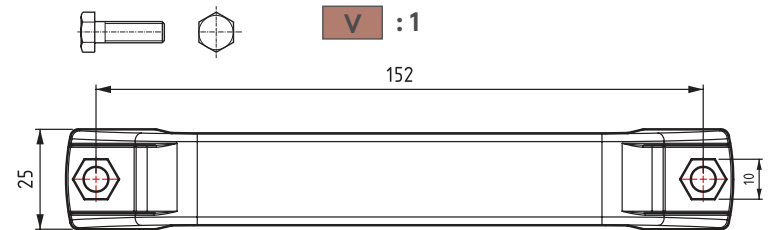
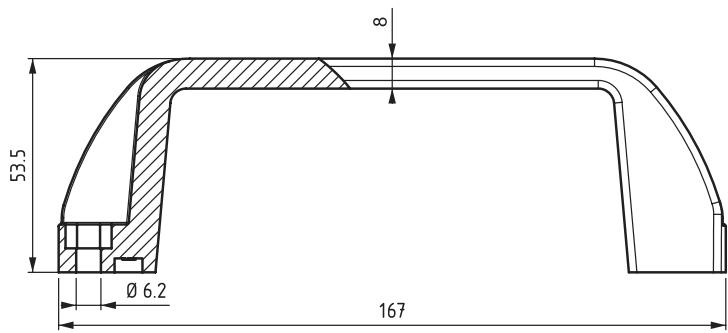


**186**

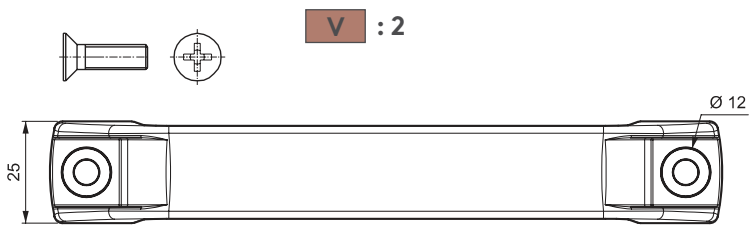
**COVER HANDLE**



- Two different fixing types

**APPLICATIONS**  
Machinery covers

**MATERIAL**  
Polyamide DIN-EN ISO 1043-1  
PA 6 GFR 30



**PRODUCT CODE**

**186** - **V**

GROUP CODE      VERSION